

Product Information



MT-PS
2-Wire Power Supply



FEATURES

- Din-rail or metal box mounting
- DC24V 4.5A output

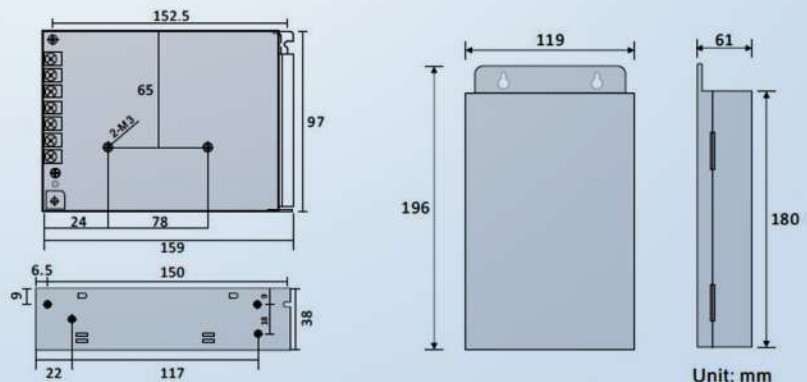
DESCRIPTION

2-wire system 24V Power supply with
Din-rail mounting or metal box.

SPECIFICATIONS

Input Voltage: 100~120VAC(2.5A),
200~240 VAC(1.5A)
Input Frequency: 50~60 Hz
Rated Output Voltage: 24Vdc
Rated Output Current: 4.5A
Working Temperature: -20° C~+60° C

DIMENSION

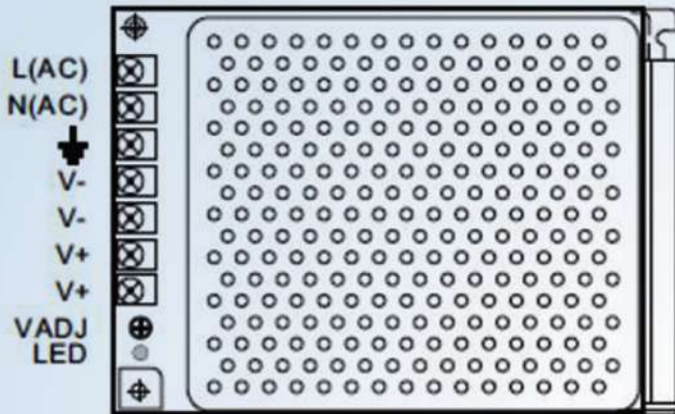


Toll-Free: 888.556.3998
Phone: 716.689.0871

Address: 5225 Sheridan Drive, Georgetown Square
Williamsville, New York 14221

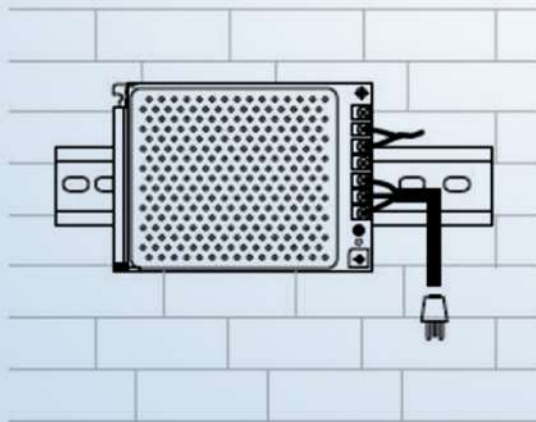
E-mail: support@becsolutionsllc.com

PARTS AND FUNCTIONS

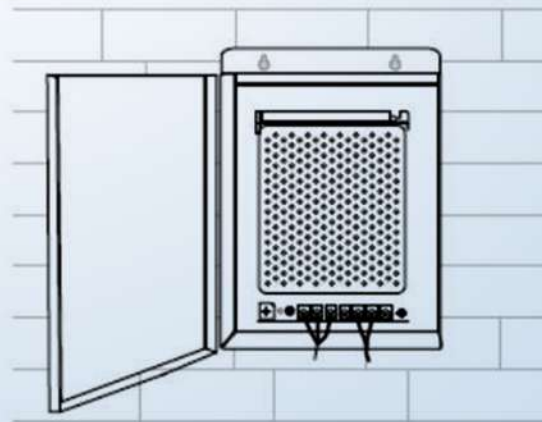


- L(AC): AC input.
- N(AC): AC input.
- : Earth Ground.
- V-: DC power output.(21.5~26.5 adjustable)
- V+: DC power output.(21.5~26.5 adjustable)
- VADJ: Output voltage adjustment.
- LED: Working state indicator.

INSTALLATION



DIN rail mounting



Box mounting