

LE-SS-1G

Vandal Resistant 1-Gang Door Station for LEF & LEM Systems

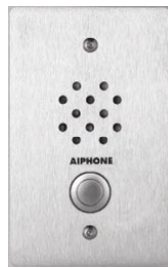
- INSTRUCTIONS -

The LE-SS-1G is a 1-gang stainless steel vandal proof and weather resistant door station designed for use with the with the LEF and LEM Series systems. This unit is constructed with 12 gauge stainless steel and can be flush mounted into a 1-gang box, or surface mounted with the SBX-1G. Each unit includes tamper proof screws and a tool for installation.

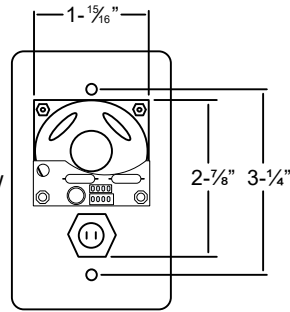
INSTALLATION

1. For flush mounting, install door station in a 1-gang electrical box with **Minimum 2-1/8" Width and 2-1/2" Depth.**
2. For surface mounting, install door station in the SBX-1G surface mount enclosure.
3. **IMPORTANT!** This unit is designed for use in normal weather conditions, and is made to allow for drainage and evaporation of moisture that naturally gets into it. **Do not apply caulking or silicone sealant around the unit when installing, and do not use weather stripping around the perimeter of the box when mounting.** If sealing the unit is required, the bottom must remain unsealed. Sealing the unit will prevent or inhibit moisture from dissipating from inside the unit, which may cause corrosion or deterioration to the internal components over time. Warranty does not cover damage caused by sealing the unit.

LE-SS-1G

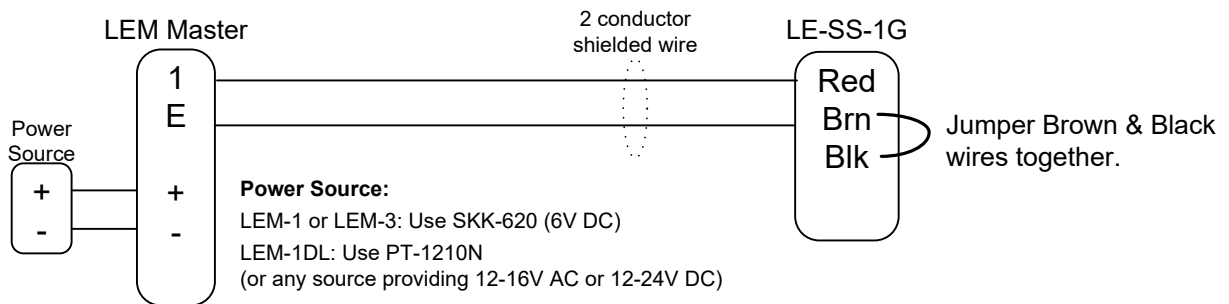


Back View



WIRING DIAGRAMS:

LEM SYSTEM

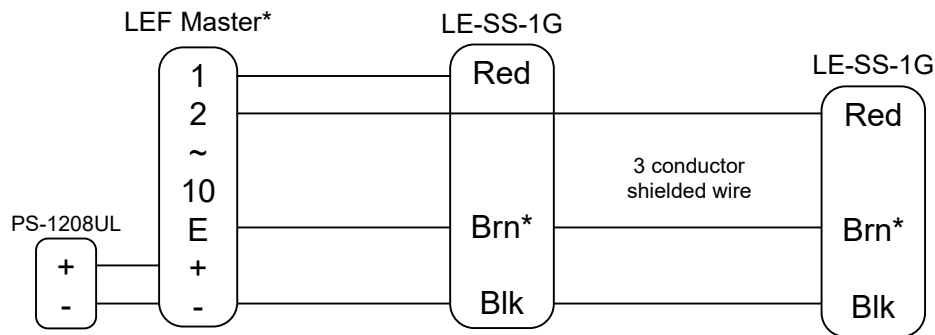


WIRE COLOR CODE DEFINITIONS:

Red: + side of speaker & call switch, connect to # of master
 Brown: Common communication, connect to E of master
 Black: - side of call switch

WIRING DIAGRAMS

LEF SYSTEM



* In a single master LEF system only, 2 conductors homerun can be used with the BRN & BLK wires tied together and "E" and "-" jumpered at the master station.

WIRE COLOR CODE DEFINITIONS:

Red: + side of speaker & call switch, connect to # of master
Brown: Common communication, connect to E of master
Black: - side of call switch

Intercom wiring must be run at least 20" away from any AC wiring, fluorescent lighting, dimmer switches, or any other electronic device that may cause interference.

SPECIFICATIONS

Power Source:	Supplied by master station
Speaker:	20 ohms, 4W, 1.92" square, water proof and puncture resistant, 0.44 oz. magnet
Call Button:	SPST call button. Call tone rings at LEM/LEF master as long as button is held down. LED will remain lit for approx. 20 seconds (LEF, LEM-3). Call tone only on LEM-1DL and LEM-1.
Communication:	Hands free at the door. Master is push-to-talk, release-to-listen.
Faceplate:	12 gauge stainless steel
Mounting:	Flush mount into a 1-gang box with Minimum 2-1/8" Width, 2-1/2" Depth. Surface mount into SBX-1G, sold separately. Tamper proof screws included (6x32 for use with flush gang box) with T-10 TORX bit. Use hardware included with SBX-1G when installing sub into that unit.
Terminations:	Color-coded prewired pigtails
Operating Temperature:	Speaker rating: -67°F to 185°F (-55° to 85°C) Switch rating: -40°F to 257°F (-40°C to 125°C)
Wiring:	2 conductors in a 1-master LEF system. 3 conductors in a multi-master LEF system. Shielded cable is recommended. Use Aiphone #822202 for LEM. Use #822202 or #822203 for LEF.
Wiring Distance:	See system that unit is being used with for distance specifications.
Dimensions (H x W x D):	LE-SS-1G alone: 4-1/2" x 2-3/4" x 1-5/8" With SBX-1G: 4-9/16" x 2-15/16" x 2-7/8" (Top) 2-1/8" (Bottom)