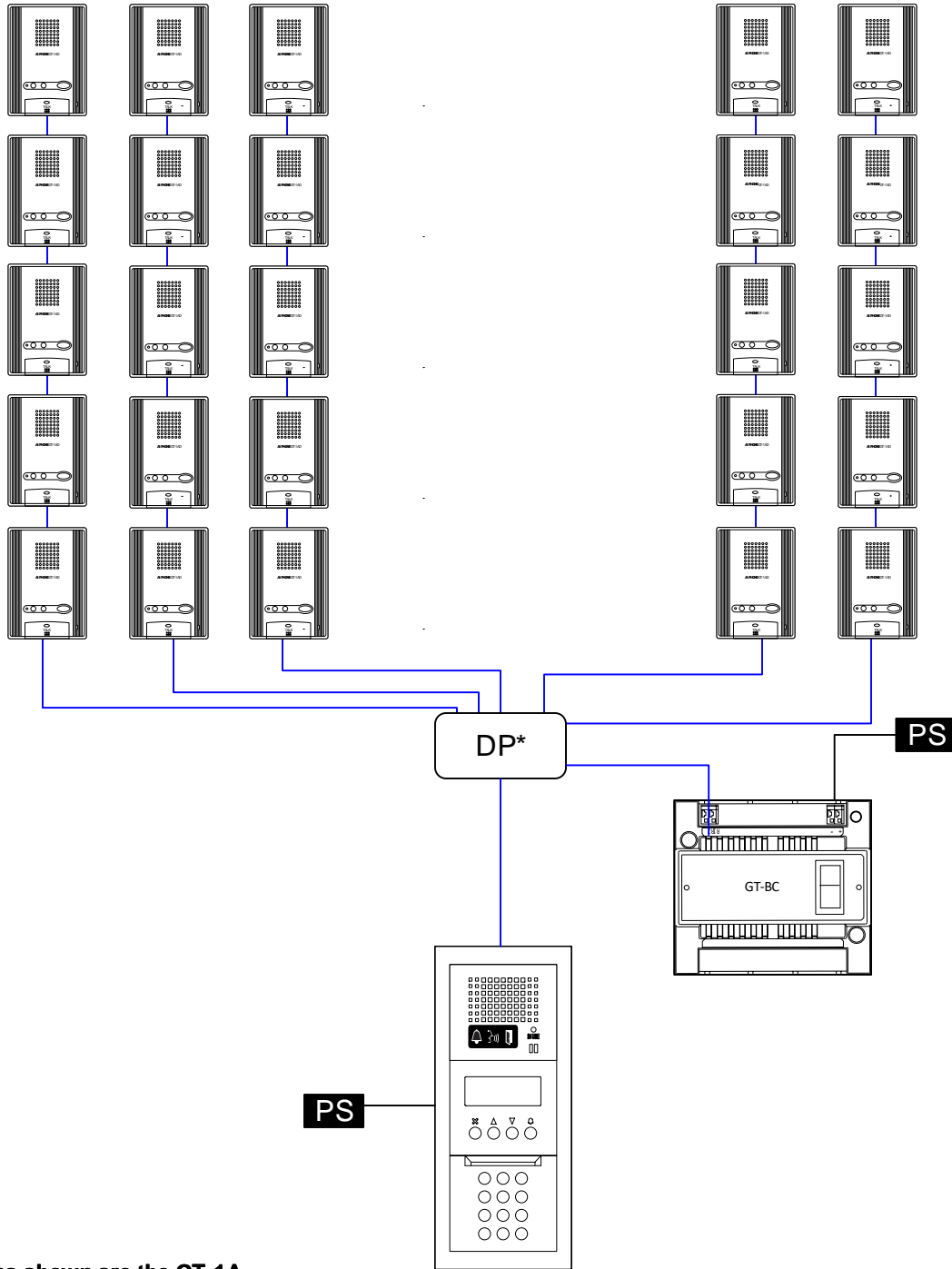


GTA Standard Configuration (Loop) 1 Entry, 25 Tenants



NOTES:

Tenant stations shown are the GT-1A.

DP* = Distribution point (punch block, wire nuts, etc.)

———— = R1,R2 (audio trunk line)

Aiphone wire # 872002

Max. cumulative distance = 8200 feet

Max. Stations per trunk = 25

PS PS-2420UL 24V DC power supply