

Mantrap Wiring and Configuration

Introduction

This guide explains how to unlock a mantrap door using the AX Series. This can be used for any application where a door without a door station needs to be unlocked.

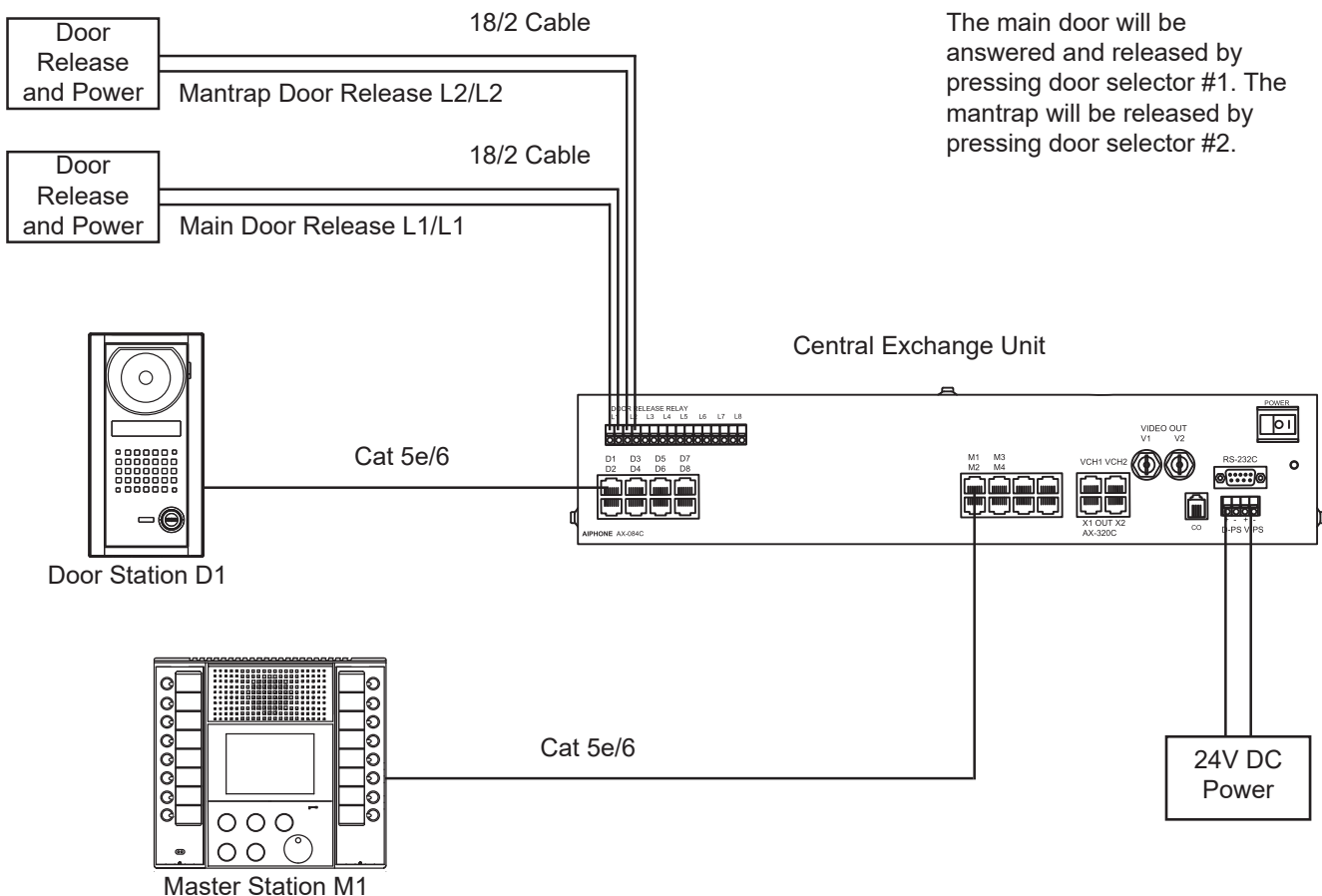
Instructions

Door release outputs on the Central Exchange Unit (AX-084C, AX-248C, or AX-320C) correspond to the matching door selector buttons on the right side of the master station. For example, the first button from the top is linked to the L1/L1 outputs on the Central Exchange Unit, the second down is linked to L2/L2, and so on. This is true even if there is not a door station connected to a particular door port.

Connect the mantrap door release terminals to the desired output on the Central Exchange Unit. Once the visitor is in the mantrap, tap the matching door selector button on the master station. The light on the button will illuminate when it is active. While the light is on, press the Key button on the master station to unlock the door. Press the Off button on the master once the visitor is out of the mantrap.

i Door station ports on the Central Exchange Unit are enabled by default. Leave any ports being used for the mantrap enabled in the AX Setup Tool.

Wiring Example



The main door will be answered and released by pressing door selector #1. The mantrap will be released by pressing door selector #2.

For more details about the features and information above, please contact Technical Support.