



MPPRP/40t

Rocker column Load cell



Reliable weighing for road scales



MPPRP-40t - datasheet_v1_r2 - 03/10/2023
Review TA: Celso Ribeiro | Review CA: Edilson Camargo
Edition: Isabel Carmo

MPRP

Load cell

Rocker Column type compression load cell, highly robust, specific for road scales. Unit capacity for up to 40t.



RESISTANT

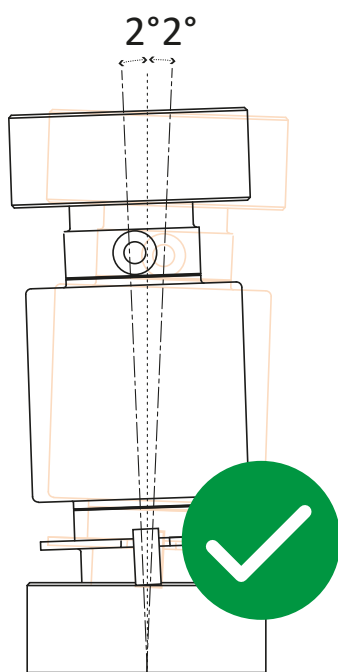
Built in stainless steel that guarantees resistance to weather conditions.

PROTECTION CLASS IP68

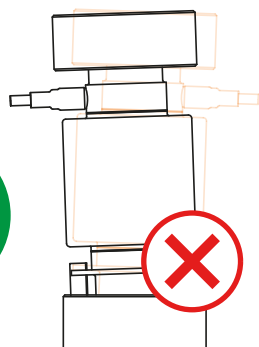
Protected against submersion for long periods and completely sealed against dust and debris.

ANTI ROTATION SYSTEM

Anti-rotation system makes the safer and more resistant assembly.



LONGITUDINAL

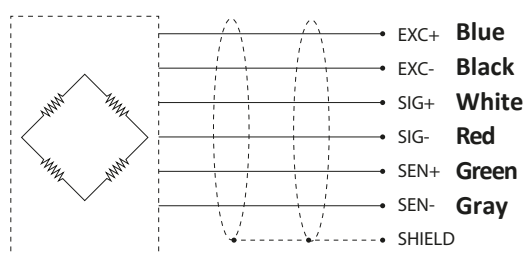


TRANVERSE

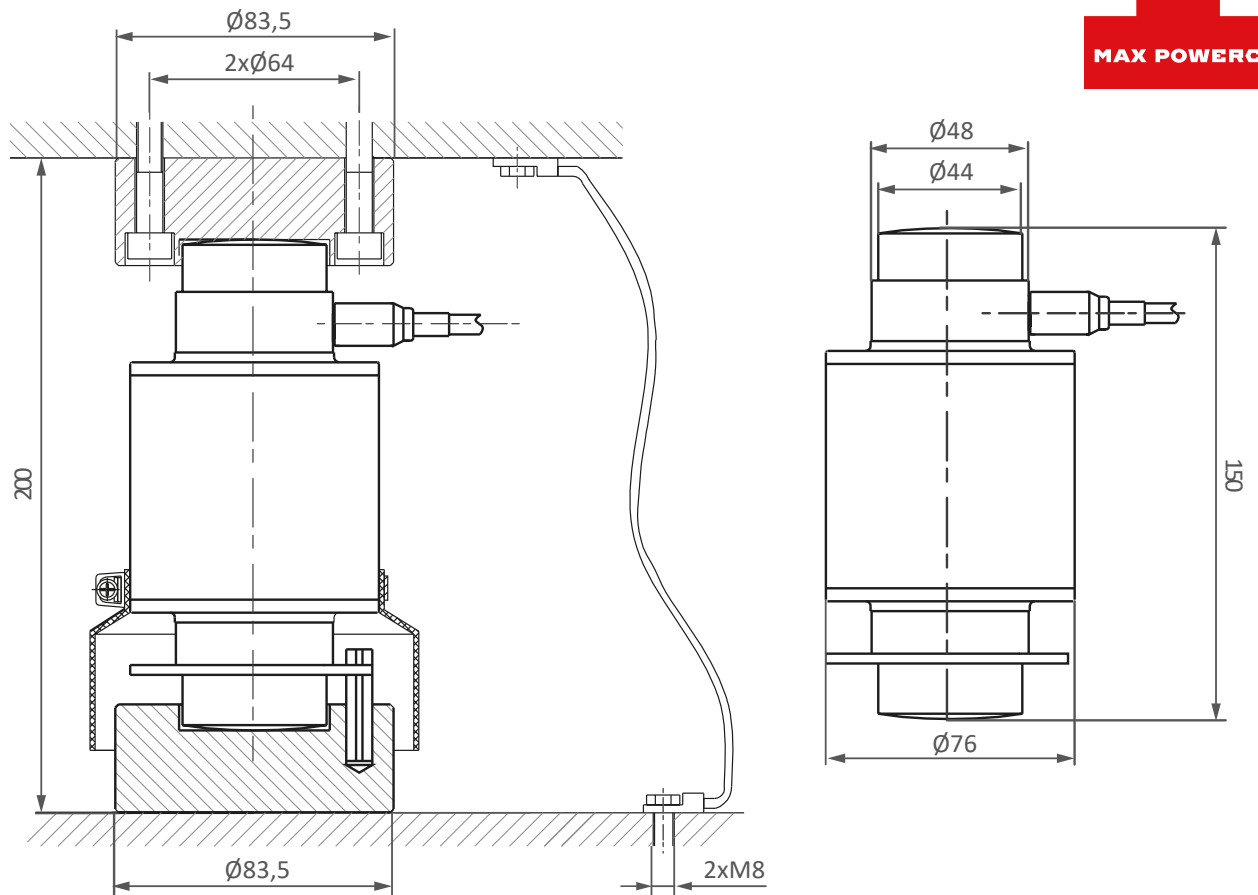
MOVEMENT

Allows lateral movement with up to 2° of inclination (following the longitudinal direction of the platform).

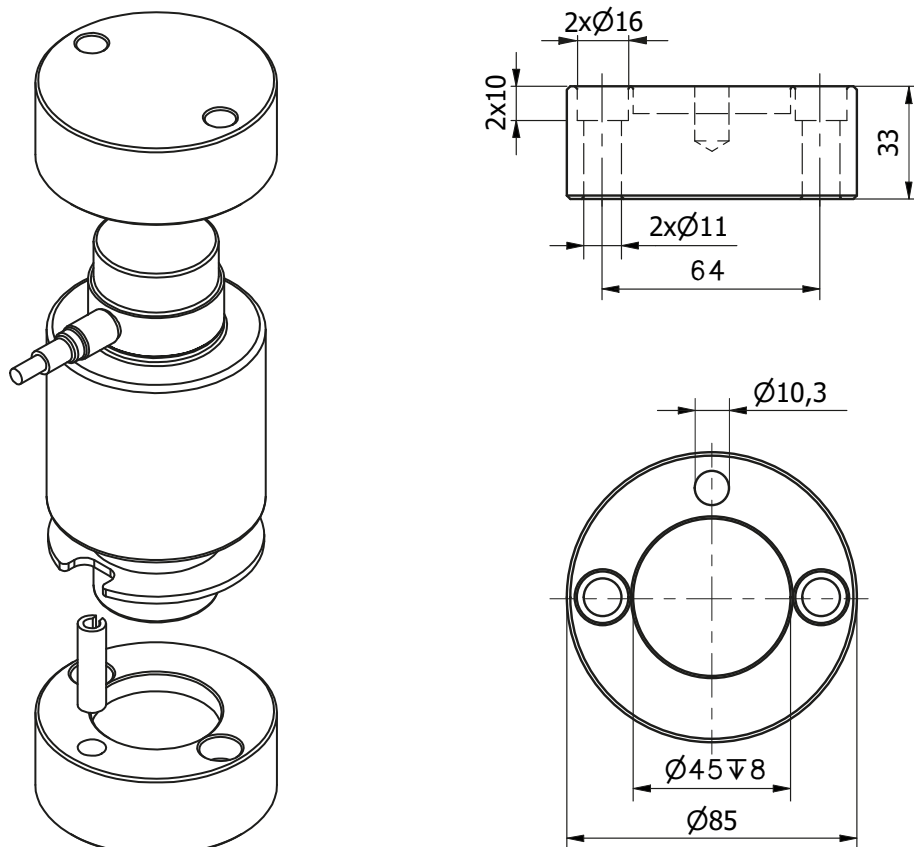
WIRING DIAGRAM



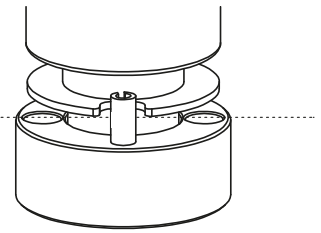
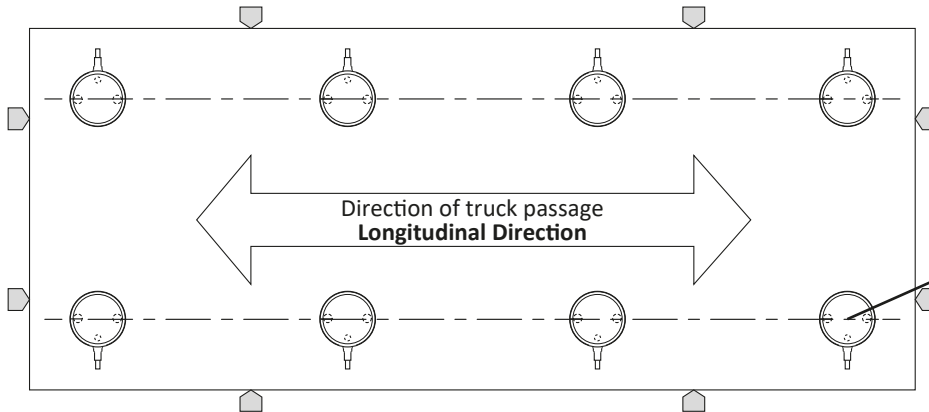
DIMENSIONS (mm)



DIMENSIONS ANTI ROTATION SYSTEM (mm)



PLATFORM MOUNTING



The screws must be fixed in the direction of the truck's passage.

TECHNICAL DATA

Rated Load	t	40
Sensitivity	mV/V	2,0 ± 0,005
Total error	%FS	±0,03%
Creep (30 min)		±0,03%
Zero compensation		±1%
TCO	% FS/10°C	±0,03%
TC SPAN		±0,03%
Input Resistance	Ω	700 ± 20
Output Resistance		702 ± 5
Insulation Resistance	MΩ	≥ 5000
Operating Temp Range	°C	-30 ~ +70
Nominal Temp Range	°C	-10 ~ +40
Safe Load Limit (static and centralized load)	% FS	150%
Ultimate Overload		300%
Recommended Excitation	VDC	5
Excitation voltage range		4,5 ~ 15
Construction	-	Stainless steel
Protection Class	-	IP68
Wire	-	Lenght: 20m Diameter: Ø5mm

WEIGHTECH CODES

Product's name	Code
Max powercell MPRP-40t load cell	30171