

FLC 3A

HYGIENIC COMPRESSION LOAD CELL

LAUMAS®



Capacity from 1000 kg to 20000 kg



EXAMPLE OF INSTALLATION ON HYGIENIC FOOT



- 17-4 PH STAINLESS STEEL
- COMBINED ERROR $\leq \pm 0.1\%$
- PROTECTION CLASS IP69K
- CABLE SUITABLE FOR CONTACT WITH FOOD
- ADJUSTABLE HEIGHT
- HYGIENIC DEVICE RPSCQC AUTHORIZED BY 3-A SSI.

CAPACITY	kg	THREAD	NET WEIGHT (kg)	CODE
1000		M12	-	FLC1000M12A3A
2000		M12	-	FLC2000M12A3A
5000		M16	-	FLC5000M16A3A
5000		M20	-	FLC5000M20A3A
10000		M24	-	FLC10000M24A3A
10000		M30	-	FLC10000M30A3A
20000		M36	-	FLC20000M36A3A

Foot not included.

CERTIFICATIONS



Equivalent of the CE marking for the United Kingdom



American standard that regulates the design, production and use of hygienic equipment

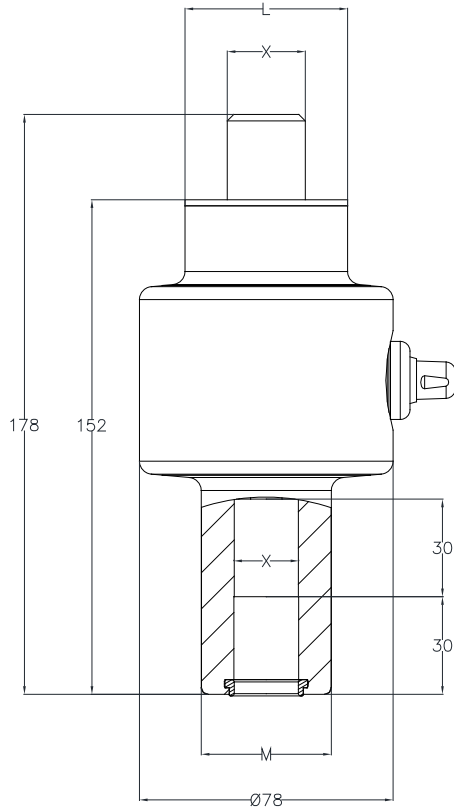
Rev. 0.0

FLC 3A

HYGIENIC COMPRESSION LOAD CELL

LAUMAS®

DIMENSIONS (mm)



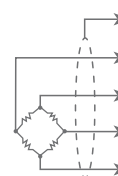
MODELLO	X	L	M
FLC1000M12A3A	M12x1.75	24	40
FLC2000M12A3A	M12x1.75	24	40
FLC5000M16A3A	M16x2	30	40
FLC5000M20A3A	M20x2.5	35	40
FLC10000M24A3A	M24x3	50	40
FLC10000M30A3A	M30x3.5	50	50
FLC20000M36A3A	M36x4	50	50

TECHNICAL FEATURES

Material	17-4 PH stainless steel		
Nominal load	1000 - 2000 - 5000 - 10000 - 20000 kg		
Combined error	≤ ±0.1%		
Protection class	IP69K		
Rated output	2.0 mV/V ±0.1%	Input resistance	350 Ω ±20
Temperature effect on zero	0.005% °C	Output resistance	350 Ω ±5
Temperature effect on span	0.005% °C	Zero balance	±1%
Compensated temperature range	-10 °C / +50 °C	Insulation resistance	>5000 MΩ
Operating temperature range	-20 °C / +70 °C	Safe overload (% of full scale)	150%
Creep at nominal load in 30 minutes	0.05%	Ultimate overload (% of full scale)	300%
Max supply voltage without damage	5 ÷ 15 VDC	Deflection at nominal load	-

ELECTRICAL CONNECTIONS

Cable length	5 m: 1000 kg, 2000 kg, 5000 kg, 10000 kg (M24) 10 m: 10000 kg (M30), 20000 kg
Cable diameter	5 mm
Cores	6 x 0.20 mm ²



SHIELD	
+ SIGNAL	GREEN
+ EXCITATION + REF./SENSE	RED BLUE
- SIGNAL	WHITE
- EXCITATION - REF./SENSE	BLACK BROWN

The Company reserves the right to make changes to the technical data, drawings and images without notice.

FLC 3A

HYGIENIC COMPRESSION LOAD CELL

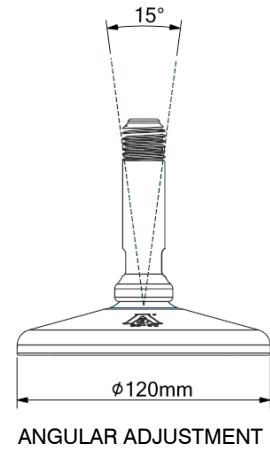
LAUMAS®

COMPLEMENTARY ACCESSORIES

	CODE	FOR LOAD CELLS
Hygienic foot	FLC273793A	FLC1000M12A3A
	FLC273793A	FLC2000M12A3A
	FLC273803A	FLC5000M16A3A
	FLC273843A	FLC5000M20A3A
	FLCD120M24503A	FLC1000M24A3A
	FLCD120M30503A	FLC1000M30A3A
	FLCD120M36503A	FLC2000M36A3A

On request: hygienic foot with dowel fastening

For other types of hygienic, non-hygienic feet or customizations contact <https://martinlevelling.it>



LOAD CELL KIT+FOOT

CODE	FOR LOAD CELLS	HYGIENIC FOOT
FLCLF1000M123A	FLC1000M12A3A	FLC273793A
FLCLF2000M123A	FLC2000M12A3A	FLC273793A
FLCLF5000M163A	FLC5000M16A3A	FLC273803A
FLCLF5000M203A	FLC5000M20A3A	FLC273843A
FLCLF10000M243A	FLC10000M24A3A	FLCD120M24503A
FLCLF10000M303A	FLC10000M30A3A	FLCD120M30503A
FLCLF20000M363A	FLC20000M36A3A	FLCD120M36503A

