

BRP/30t

Rocker column Load cell



Reliable weighing for road scales



BRP

Load cell

Rocker Column type compression load cell, highly robust, specific for road scales. Unit capacity for up to 30t.



RESISTANT

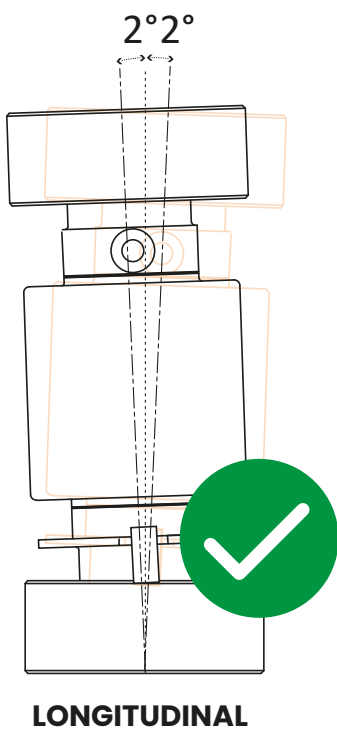
Built in stainless steel that guarantees resistance to weather conditions.

PROTECTION CLASS IP68

Protected against submersion for long periods and completely sealed against dust and debris.

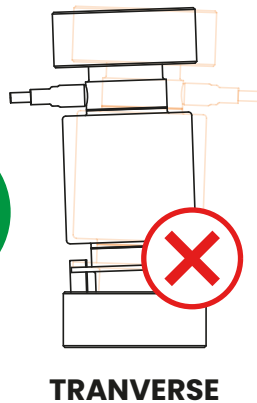
ANTI ROTATION SYSTEM

Anti-rotation system makes the safer and more resistant assembly.

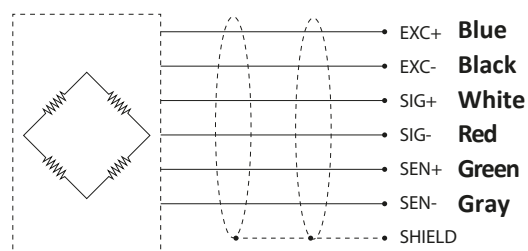


MOVEMENT

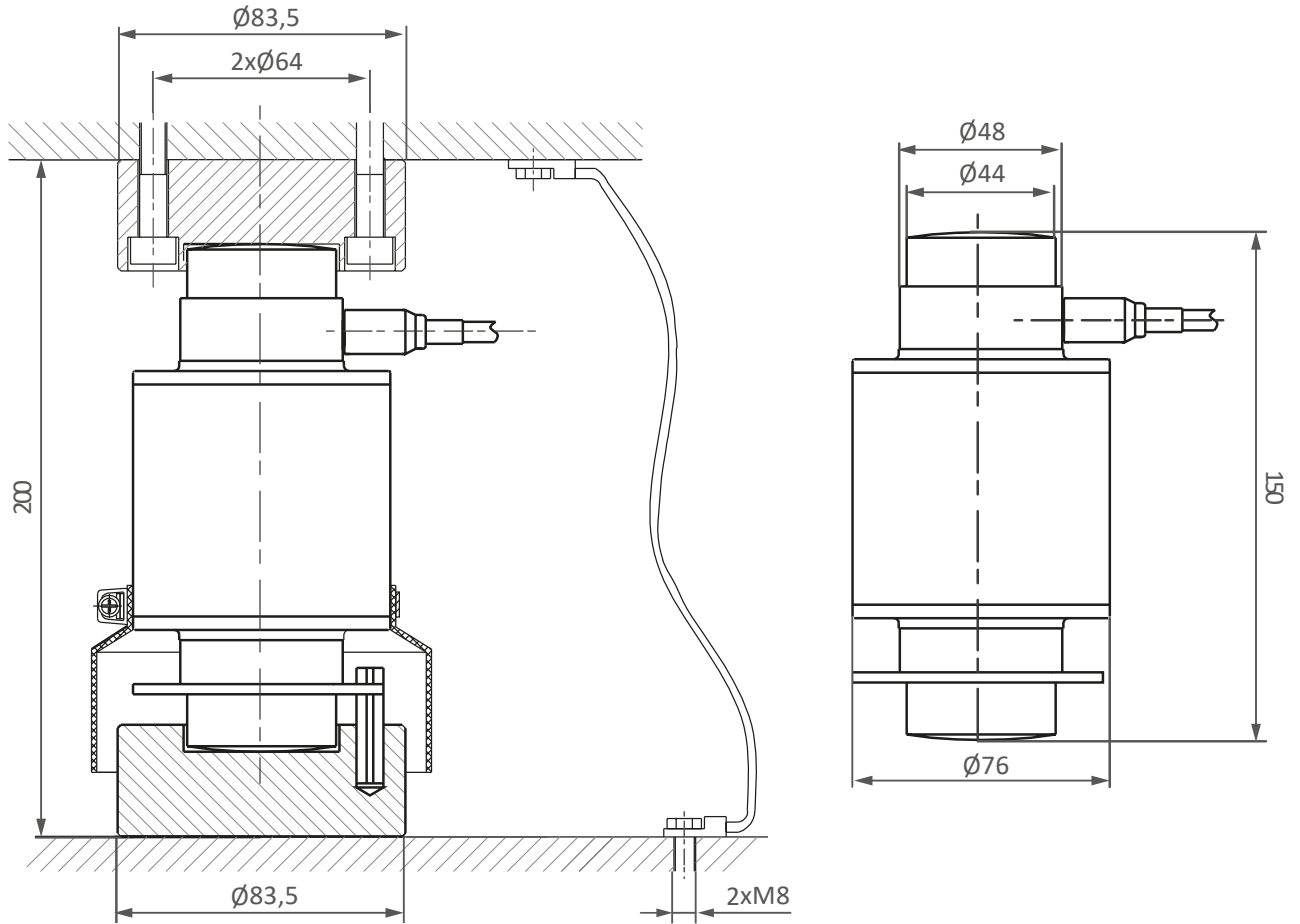
Allows lateral movement with up to 2° of inclination (following the longitudinal direction of the platform).



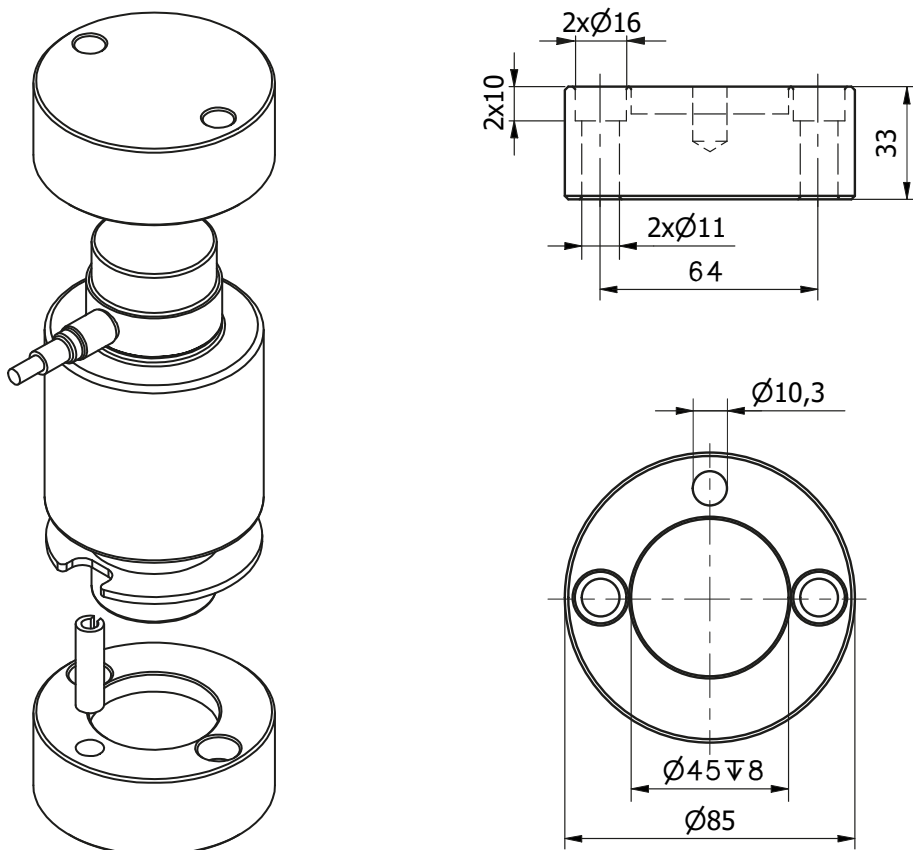
WIRING DIAGRAM



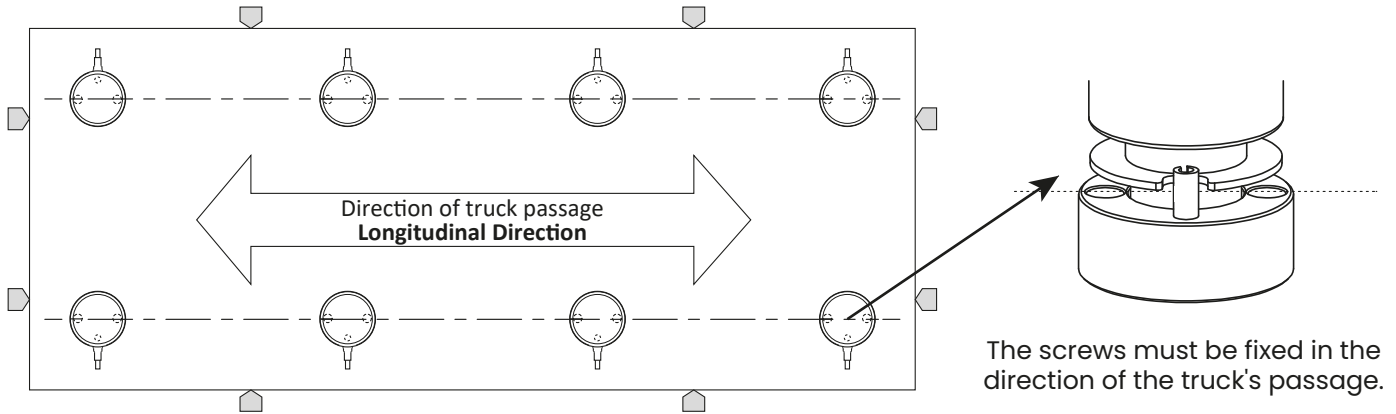
DIMENSIONS (mm)



DIMENSIONS ANTI ROTATION SYSTEM (mm)



PLATFORM MOUNTING



TECHNICAL DATA

Rated Load	t	30
Sensitivity	mV/V	2,0 ± 0,005
Total error	%FS	±0,03%
Creep (30 min)		±0,03%
Zero compensation		±1%
TCO	% FS/10°C	±0,03%
TC SPAN		±0,03%
Input Resistance	Ω	700 ± 20
Output Resistance		702 ± 5
Insulation Resistance	MΩ	≥ 5000
Operating Temp Range	°C	-30 ~ +70
Nominal Temp Range	°C	-10 ~ +40
Safe Load Limit (static and centralized load)	% FS	150%
Ultimate Overload		300%
Recommended Excitation	VDC	5
Excitation voltage range		4,5 ~ 15
Construction	-	Stainless steel
Protection Class	-	IP68
Wire	-	Lenght: 20m Diameter: Ø5mm

WEIGHTECH CODES

Product's name	Code
Rocker Column BRP/30t Load Cell	10581