



Short Description



- Stainless steel IP67 single point load cell
- Bending beam
- Suitable for weighing equipment like platform and belt scales
- Maximum platform size: 400 x 400 mm



Test certificate no. TC8009 Revision 0
C of C no R60/2000-NL1-10.27
R60/2000-DE1-10.04

Available Models

Capacity	Accuracy	Full Article Description
8kg	C3/C4	B6N-C3/C4-8kg-1B6
10kg	C3/C4	B6N-C3/C4-10kg-1B6
15kg	C3/C4	B6N-C3/C4-15kg-1B6
20kg	C3/C4	B6N-C3/C4-20kg-1B6
30kg	C3/C4	B6N-C3/C4-30kg-1B6
50kg	C3	B6N-C3-50kg-1B6
75kg	C3	B6N-C3-75kg-1B6
100kg	C3	B6N-C3-100kg-1B6
150kg	C3	B6N-C3-150kg-1B6
200kg	C3	B6N-C3-200kg-1B6

Technical Specifications B6N

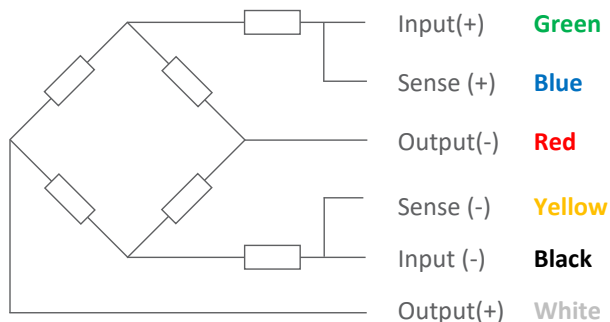
Accuracy Class		OIML R60 C3	OIML R60 C4
Output Sensitivity (= FS)	mV/V	2.0 ± 0.2	
Maximum Capacity (E _{max})	kg	8, 10, 15, 20, 30, 50, 75, 100, 150, 200	8, 10, 15, 20, 30
Max. Number of Load Cell Intervals	n _{LC}	3000	4000
Ratio of min. LC Verification Interval	Y = E _{max} / V _{min}	9000	15000
Combined Error	%FS	≤± 0.023	≤± 0.018
Creep Error (30 minutes)	%FS	≤± 0.016	≤± 0.012
Temperature Effect on Zero (ZTC)	%FS/10°C	≤± 0.015	≤± 0.010
Temperature Effect on Sensitivity (STC)	%FS/10°C	≤± 0.011	≤± 0.009
Zero Balance	%FS	≤± 1.5	
Safe Overload	%FS	150	
Ultimate Overload	%FS	300	
Eccentric Loading Error	%Ld/cm	± 0.002	
Excitation, Recommended Voltage	V	5 ~ 12	
Excitation, Maximum Voltage	V	18	
Input Resistance	Ω	384 ± 4	
Output Resistance	Ω	350 ± 3.5	
Insulation Resistance (50V)	MΩ	≥5000	
Compensated Temperature	°C	-10 ~ +40	
Operating Temperature	°C	-35 ~ +65	
Storage Temperature	°C	-40 ~ +70	
Load Cell Weight	kg	~1.1	
Element Material		Stainless Steel	
Ingress Protection (acc. to EN 60529)		IP67	
Recommended Torque on Fixation Bolts	Nm	M6: 10	
ATEX Classification (optional)		II 1G Ex ia IIC T4 Ga	II 1D Ex ia IIIC T ₂₀₀ 135°C Da
			II 3G Ex ic IIC T4 Gc

Wiring

Features:

Cable type: Shielded, 6 conductor cable , conductor AWG 24
 Cable diameter: Ø 5.0mm
 Cable length: 1.0m
 Cable jacket: Polyurethane
 Shield not connected to element

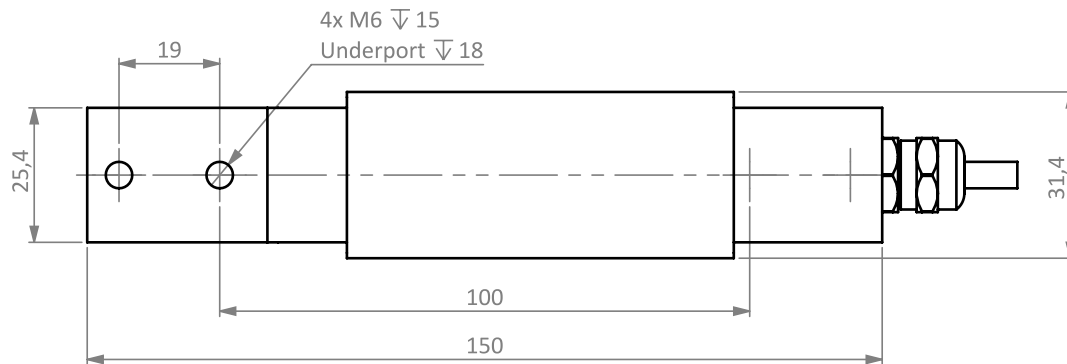
6-Wire Connection Diagram



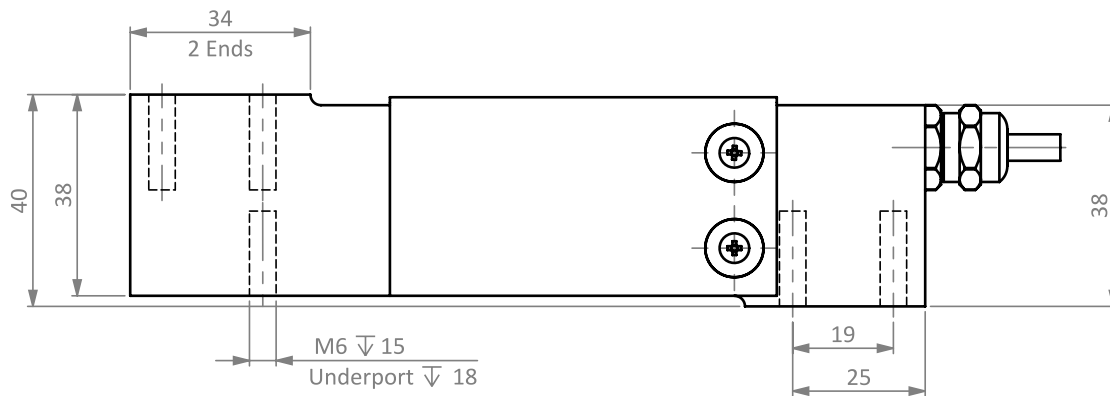
Specifications and dimensions are subject to change without notice and do not constitute any liability whatsoever.

Dimensions in mm

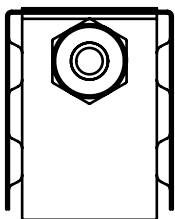
Top View



Side View



Back View



Isometric View

