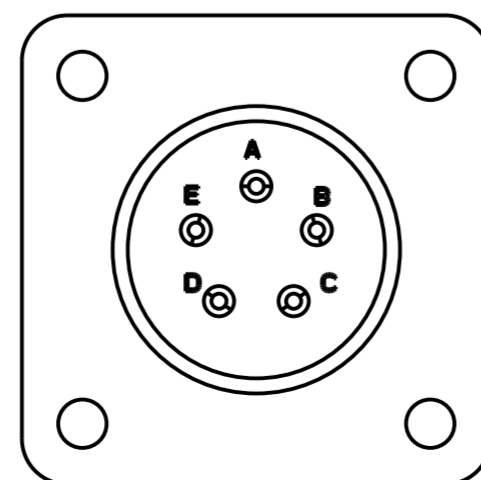


Bushing Tolerance  
 $\phi 54 +0.2/+0.3$



INPUT +	RED	B
INPUT -	BLACK	D
OUTPUT +	GREEN	C
OUTPUT -	WHITE	A
BRAID	YELLOW	E

SPECIFICATIONS	STATIC	MOBILE
RATED LOAD (LBS)	13559	9039
RATED LOAD (Kg)	6150	4100
RATED OUTPUT (mV/V)	1.45	0.96

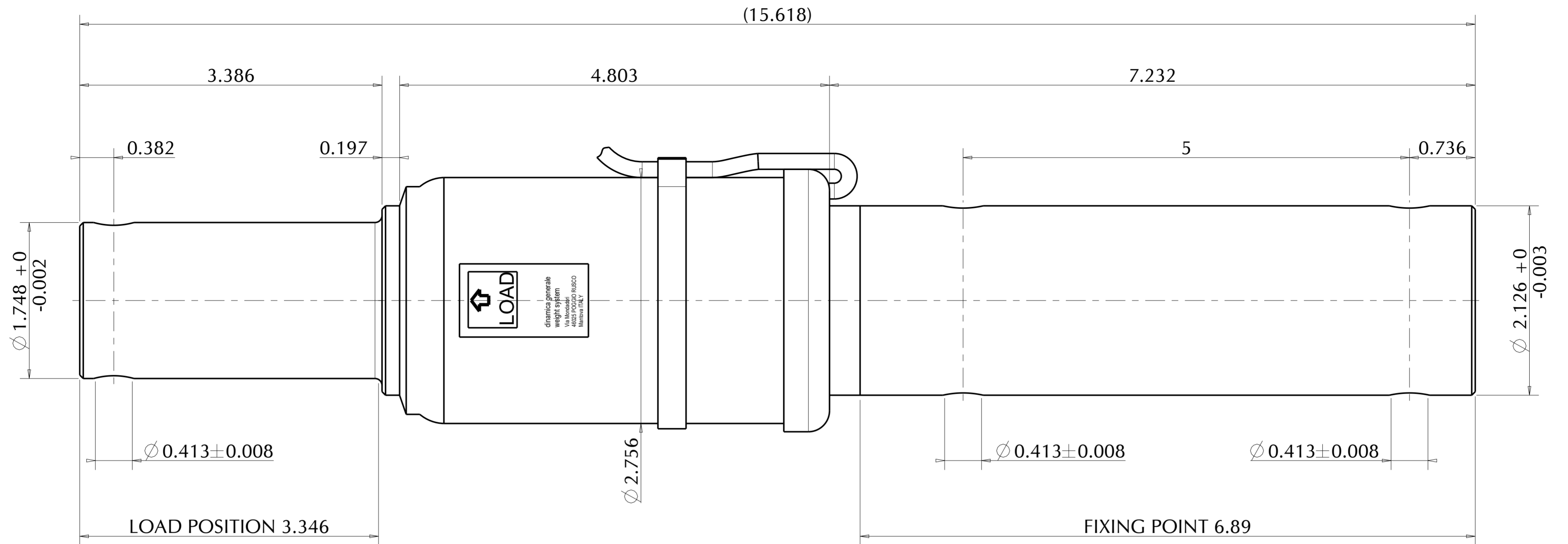
PART CODE	CABLE LENGHT		CABLE TERMINATION
	FT	m	
969-0075	30.2	9.2	SPM

REV.	MOD.N.	DATE	SIGNATURE	DESCRIPTION	SCALE	UNSPECIFIED TOLLERANCES
E	A4	22/09/16	M.B.	Agg. fdm 215_16	6/5	±0.5
D	A3	15/05/12	M.B.	Sostituzione resina		
C	A2	14/12/10	M.B.	Sostituito cavo		
B	A1	06/03/07	M.B.	Sostituzione canotto e revisione quote		
A	A0	22/11/06	M.B.	Emissione disegno		
				*DRAWN: 22/11/2006 *CHECKED: 22/11/2006 *APPROVED: 22/11/2006 SIGNATURE: M.BRESCIANI, A. BARBI, A. BARBI	ROUGHNESS	-
46025 Poggio Rusco (MN) Via Mondadori, 15 Tel. + +39 0386.52134 Fax + +39 0386.51523				DESCRIPTION: MOBILE Load Cell DG8500/54-BK2 C=9,2m + SPM CODE: 969-0075 REV.: A4		THE COPY OF THIS DRAWING MUST BE APPROVED BY DINAMICA GENERALE

This documents is for reference, dimensions are subject to change.

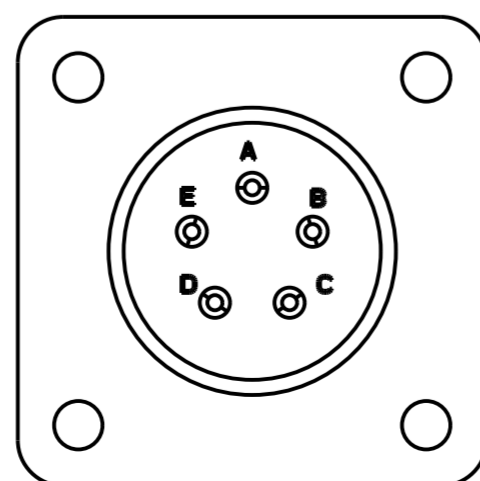
ALL RIGHTS OF THE PROJECT STRICTLY RESERVED TO DINAMICA GENERALE. REPRODUCTION OR ISSUE TO THIRD PARTIES IN ANY FORM WHATEVER IS, NOT PERMITTED WITHOUT WRITTEN AUTHORIZATION FROM DINAMICA GENERALE

MEASURES EXPRESSED IN INCHES



Bushing Tolerance

$\phi 2.126 +0.008/+0.012$



INPUT +	RED	B
INPUT -	BLACK	D
OUTPUT +	GREEN	C
OUTPUT -	WHITE	A
BRAID	YELLOW	E

SPECIFICATIONS	STATIC	MOBILE
RATED LOAD (LBS)	13559	9039
RATED LOAD (Kg)	6150	4100
RATED OUTPUT (mV/V)	1.45	0.96

PART CODE	CABLE LENGHT		CABLE TERMINATION
	FT	m	
969-0075	30.2	9.2	SPM

REV.	MOD.N.	DATE	SIGNATURE	DESCRIPTION	SCALE	UNSPECIFIED TOLLERANCES												
E	A4	22/09/16	M.B.	Agg. fdm 215_16	6/5	±0.02												
D	A3	15/05/12	M.B.	Sostituzione resina														
C	A2	14/12/10	M.B.	Sostituito cavo														
B	A1	06/03/07	M.B.	Sostituzione canotto e revisione quote														
A	A0	22/11/06	M.B.	Emissione disegno														
				<table border="1"> <thead> <tr> <th>*DRAWN</th> <th>*CHECKED</th> <th>*APPROVED</th> </tr> </thead> <tbody> <tr> <td>22/11/2006</td> <td>22/11/2006</td> <td>22/11/2006</td> </tr> <tr> <td>SIGNATURE M.BRESCIANI</td> <td>A. BARBI</td> <td>A. BARBI</td> </tr> </tbody> </table>	*DRAWN	*CHECKED	*APPROVED	22/11/2006	22/11/2006	22/11/2006	SIGNATURE M.BRESCIANI	A. BARBI	A. BARBI	<table border="1"> <thead> <tr> <th>WEIGHT (lbs)</th> <th>ROUGHNESS</th> </tr> </thead> <tbody> <tr> <td>14.604</td> <td>-</td> </tr> </tbody> </table>	WEIGHT (lbs)	ROUGHNESS	14.604	-
*DRAWN	*CHECKED	*APPROVED																
22/11/2006	22/11/2006	22/11/2006																
SIGNATURE M.BRESCIANI	A. BARBI	A. BARBI																
WEIGHT (lbs)	ROUGHNESS																	
14.604	-																	
DESCRIPTION: MOBILE Load Cell DG8500/54-BK2 C=9,2m + SPM					THE COPY OF THIS DRAWING MUST BE APPROVED BY DINAMICA GENERALE													
CODE: 969-0075				REV. A4														

This documents is for reference, dimensions are subject to change.

ALL RIGHTS OF THE PROJECT STRICTLY RESERVED TO DINAMICA GENERALE. REPRODUCTION OR ISSUE TO THIRD PARTIES IN ANY FORM WHATEVER IS, NOT PERMITTED WITHOUT WRITTEN AUTHORIZATION FROM DINAMICA GENERALE