

 weightechUSA

614

S TYPE LOAD CELL



Great value for money, with moisture resistance and cable coating for use in aggressive environments

614_datasheet_v02_r0 - 04/03/2024

Technical review: Loui Oriqui | Comercial review: Eber Santos

Editor: Isabel Carmo



614

LOAD CELL

The Model 614 is a tension-compression load cell, is made from aluminum, with humidity-resistant coating and shielded cables enable this load cell to be used in harsh environments while maintaining its operating specifications. The additional sense wires compensate for changes in lead resistance due to temperature change and/or cable extension.

Ideally suited for lever conversions, hanging scales, force measurement, and a wide range of other industrial applications.

FEATURES

- Capacities 50–500 kg
- High accuracy
- Anodized aluminum construction
- IP67 degree of protection
- OIML R60 approved
- 6 wire (sense) circuit, 3m long cable

OPTIONAL

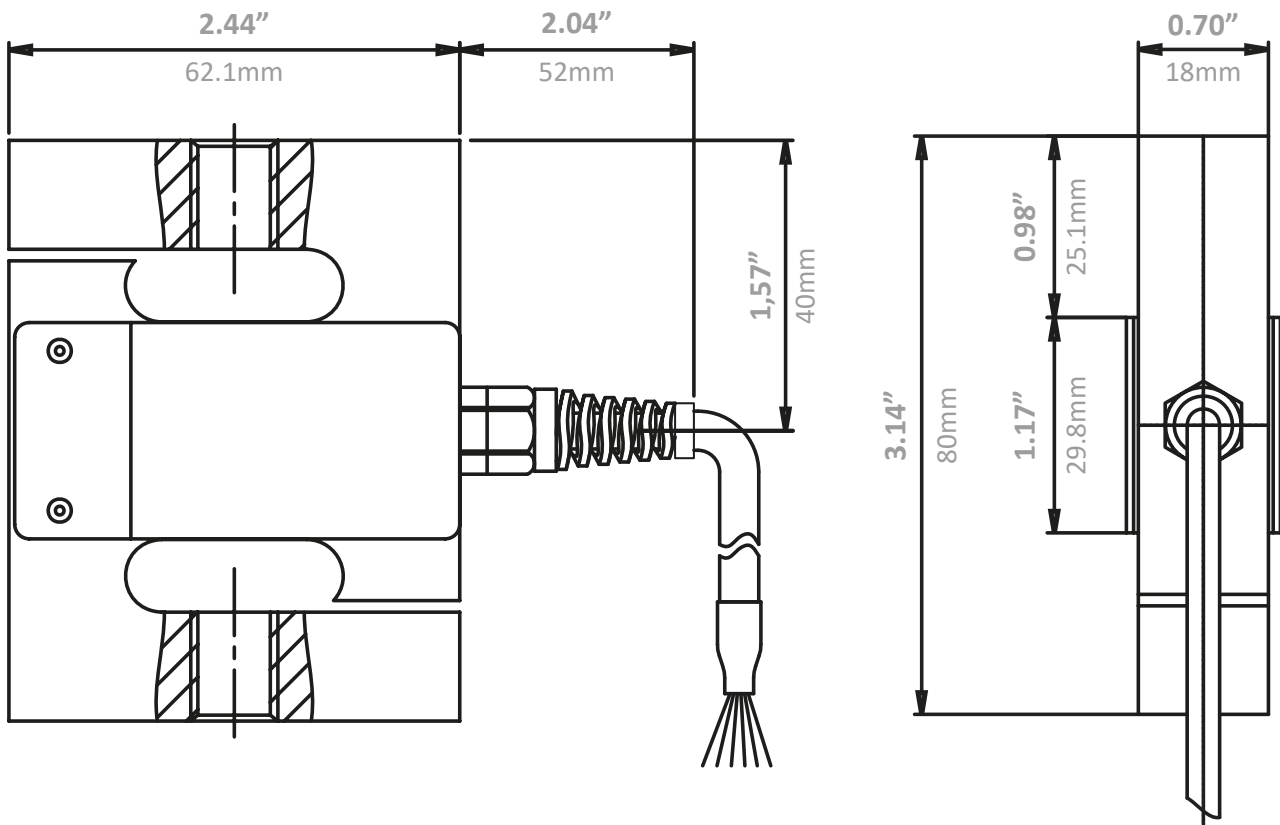
- EEx ia IIC T4 hazardous area approval

APPLICATIONS

- Hopper (Tank weighing)
- Hybrid scales
- Belt weighing
- Lever arm conversions
- Material testing machines
- Vibrations filling equipment
- Dynamometers.

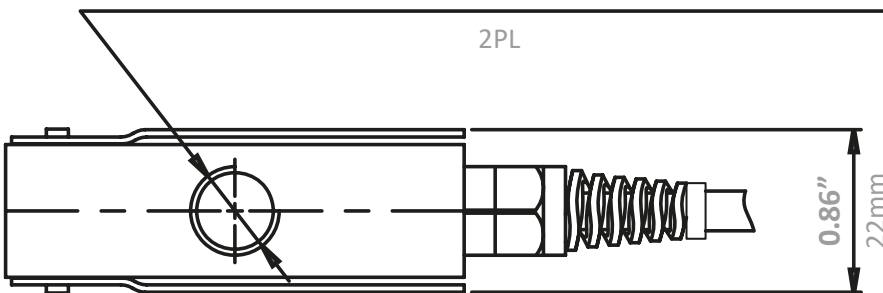


DIMENSIONS



M12 x 1.75mm OR 1/2"-20 UNF

2PL



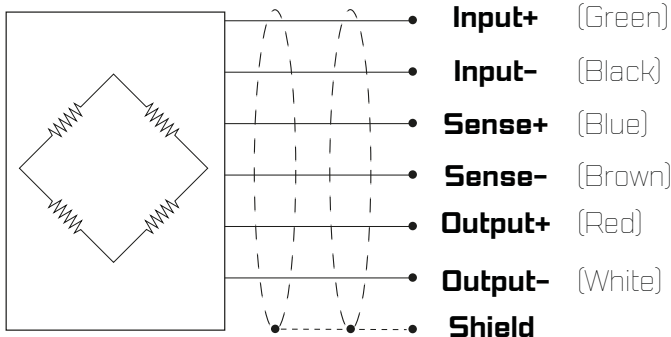
SPECIFICATIONS

PARAMETER	VALUE		UNIT
Rated capacity-R.C. (E_{max})	50, 100, 150, 200, 300, 500		kg
Accuracy class	Non-Approved	C3*	
Maximum no. of intervals (n)	1000	3000	
$Y = E_{max}/V_{min}$	2500	8000	12000**
Rated output-R.O.	2.0		mV/V
Rated output tolerance	0.2		±mV/V
Zero balance	0.02		±mV/V
Zero Return, 30 min.	0.05	0.017	±% of applied load
Total Error (per OIML R60)	0.05	0.020	±% of rated output
Temperature effect on zero	0.01	0.0023	±% of rated output/°C
Temperature effect on output	0.003	0.0012	±% of load/°C
Temperature range, compensated	-10 to +40		°C
Temperature range, safe	-30 to +70		°C
Maximum safe central overload	150		% of R.C.
Ultimate central overload	300		% of R.C.
Excitation, recommended	10		Vdc or Vac rms
Excitation, maximum	15		Vdc or Vac rms
Input impedance	415±15		Ohms
Output impedance	350±3		Ohms
Insulation resistance	>2000		Mega-Ohms
Cable length	3.0		m
Cable type	6 wire, braided PVC, dual floating screen		Standard
Construction	Plated (Anodize) aluminum		
Environmental protection	IP67		

* 50% utilization

** Y=8000 for capacities 50-200kg. Y=12000 for capacities 300-500kg

CABLE DIAGRAM



Cable length: 3m

PART NUMBER

Products	Capacities	Codes
TEDEA-HUNTLEIGH 614 S-TYPE LOAD CELL	50kg	10102
TEDEA-HUNTLEIGH 614 S-TYPE LOAD CELL	100kg	10103
TEDEA-HUNTLEIGH 614 S-TYPE LOAD CELL	200kg	10105

FIND US

10384 W State road 84 #6 - Davie, FL 33324

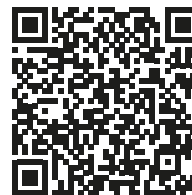
sales@weightechusa.com

weightechusa.com

Technical Support: +1 (954) 666-0877x302

Sales: +1 (954) 666-0877x305

MORE INFO



PRODUCT PAGE