



SWX150

Bronze Marine Pump

1-1/2" x 1-1/2" End Suction Centrifugal Pump

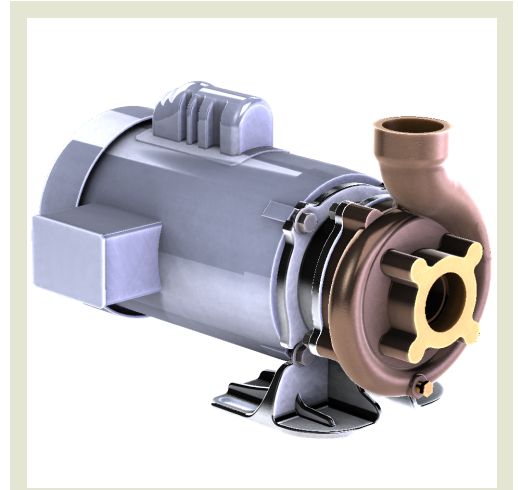
Manufactured in investment cast Nickel Aluminum Bronze CA954, the SWX series of pumps were designed for applications pumping seawater.

The pumps are equipped with enclosed impellers standard to ensure optimum efficiency and low HP ratings. Type 16 Carbon/Silicon Carbide/Viton mechanical seal offers excellent resistance to harsh seawater applications while protecting the motor shaft from exposure. The volute is sealed with a viton o-ring.

The SWX150 model is equipped with an anodized aluminum base for improved mounting strength over the competition while maintaining the same mounting dimensions.

All pumps are close coupled to 60/50 HZ TEFC motors with IP (Ingress Protection) rating of IP44 (single phase) to 55 (three phase) compliant with ISO8846 marine ignition duty.

The pump also meets CE and EU requirements.

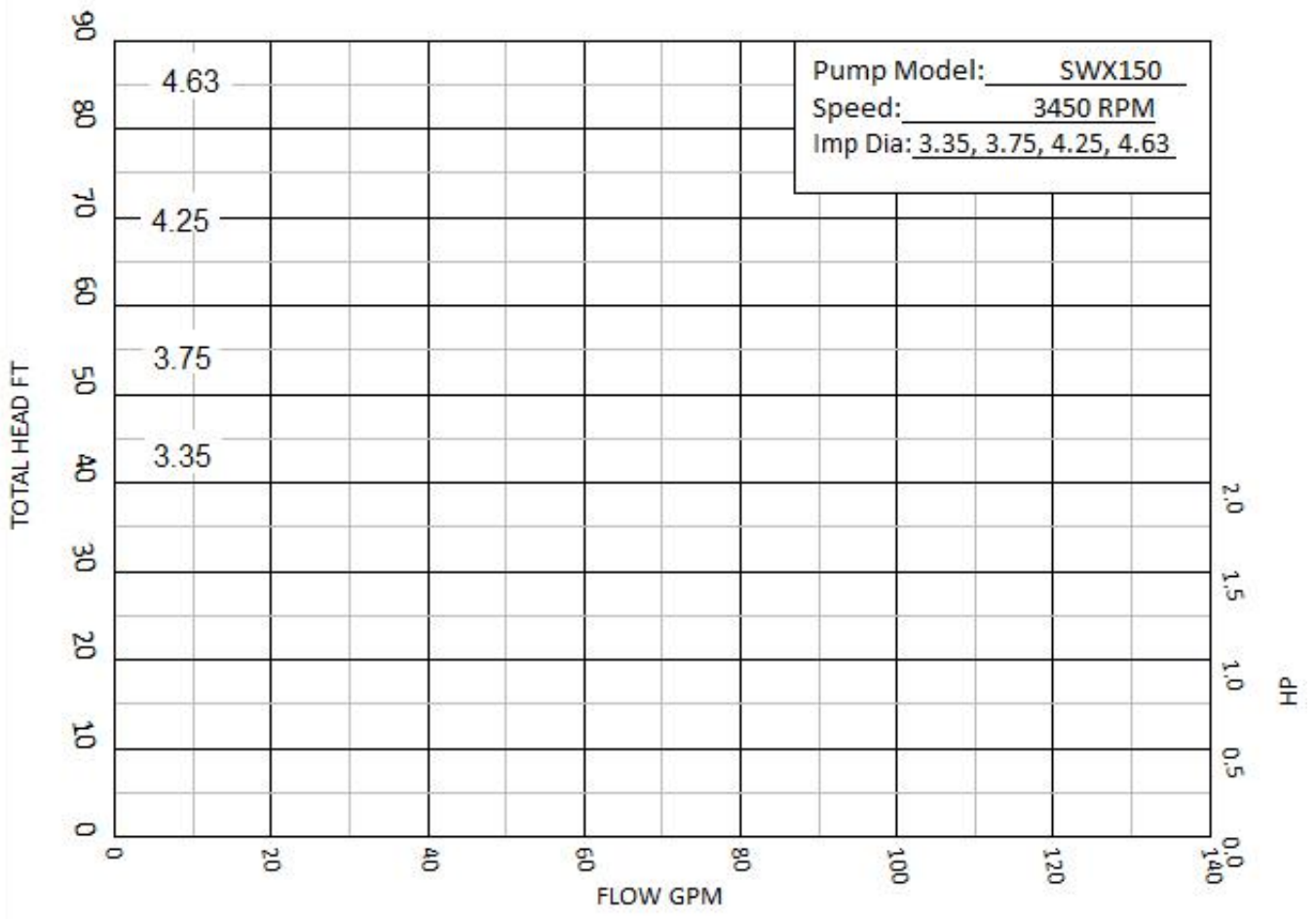


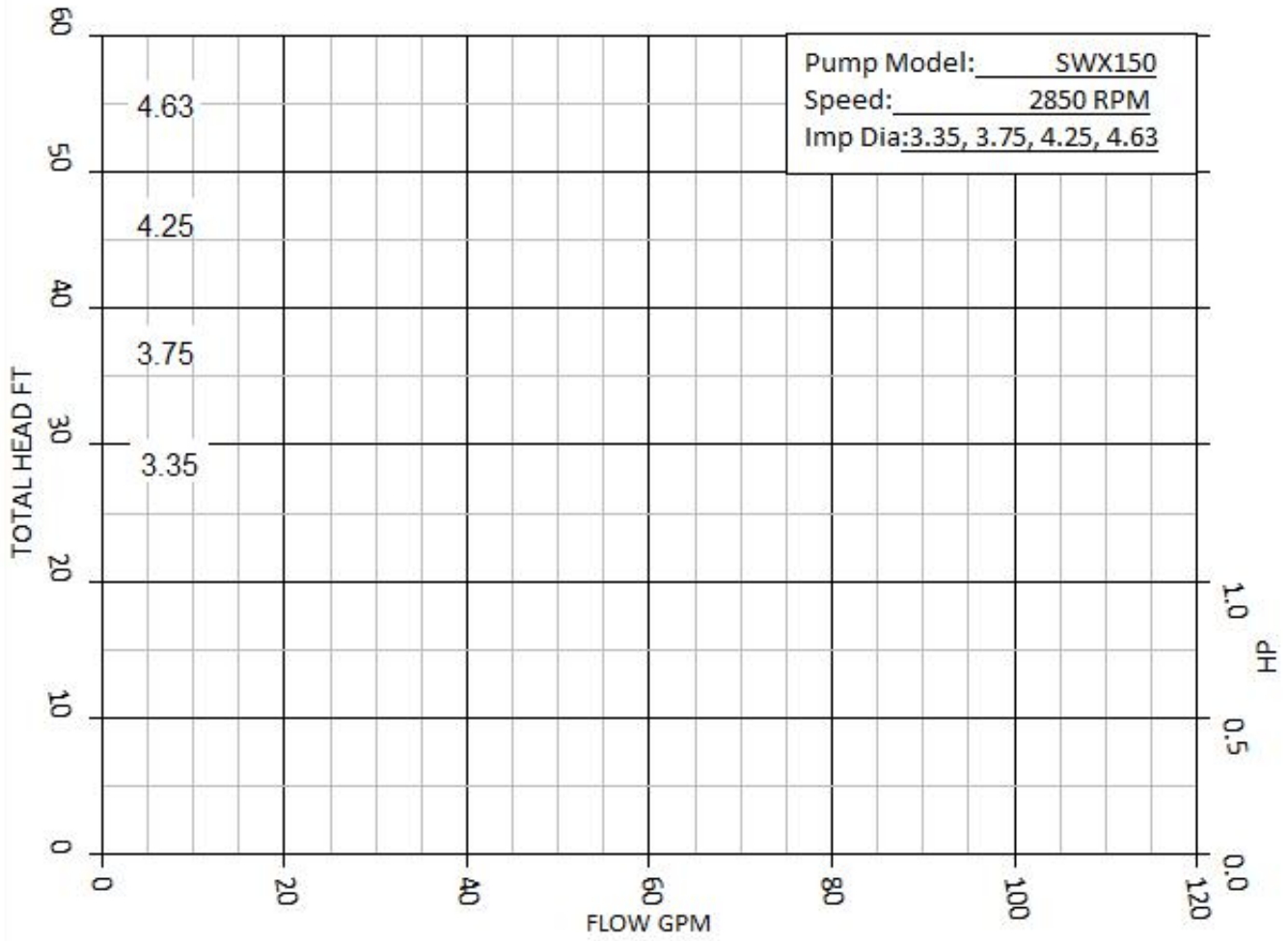
Application

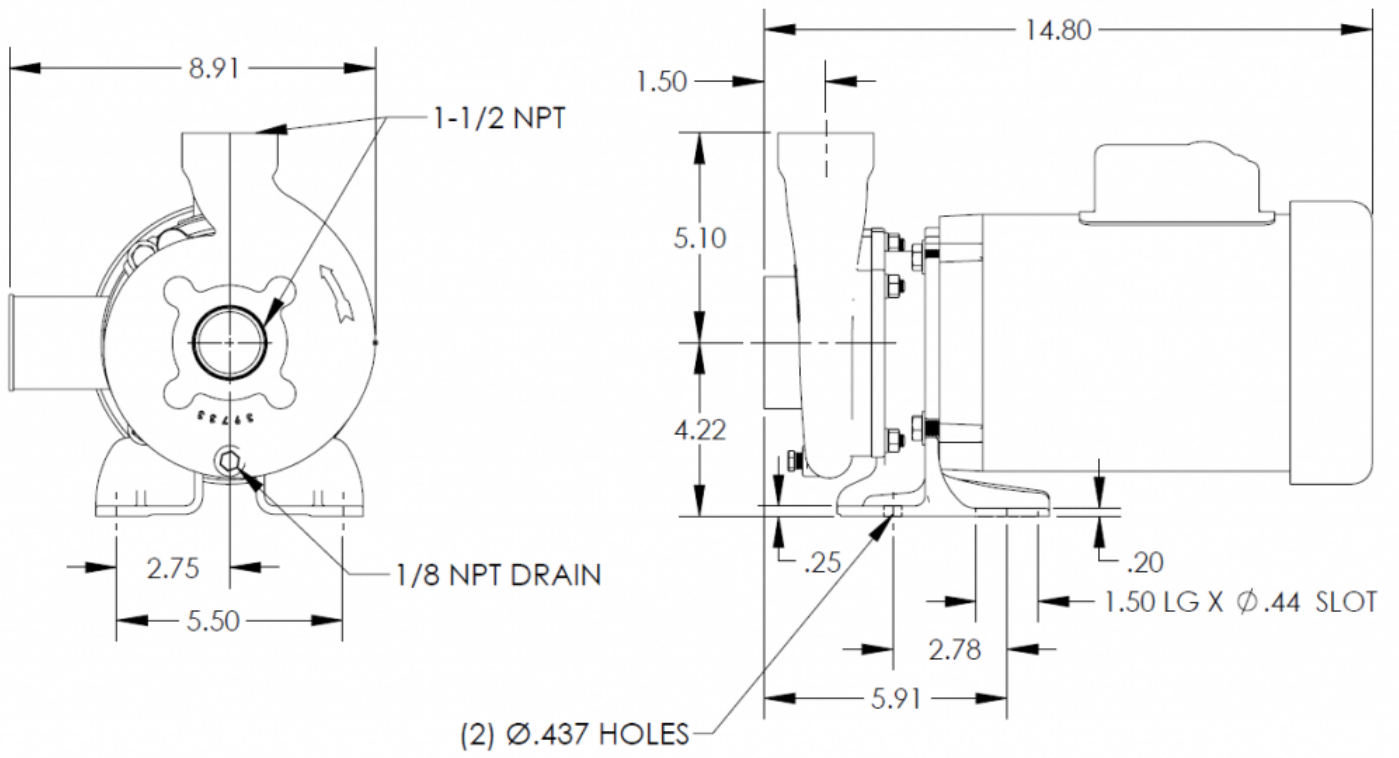
- Marine

SPECIFICATIONS:

Suction And Discharge	1.5" x 1.5" NPT
Materials Of Construction	316 SS, Bronze
Impeller	Balanced to meet ISO1940-1 G6.3 for optimum efficiency
O Ring	Viton
Seal	T-16 Carbon/Silicon Carbide/Viton/316SS
Motor	56J TEFC, CE, 60/50 HZ, ISO8846 marine ignitor, Single Phase IP44 with ATO, Three Phase IP55
And CE Reqs.	Array







ITEM NO.	PART NO.	DESCRIPTION	QTY
1	39736	IMPELLER, 4.63	1
	50104	IMPELLER, 4.25	1
	50102	IMPELLER, 3.75	1
	50106	IMPELLER, 3.35	1
2	39776	O-RING, VITON AS-568-157	1
3	28059	STUD 5/16-18 x 1.19 304 SS	4
4	21238	LOCKWASHER 5/16-18 304 SS	4
5	21284	HEXNUT 5/16-18 x 1/2 304 SS	4
6	50494	MOTOR, 2 HP-1 PH 56J TEFC	1
	50495	MOTOR, 2 HP-3 PH 56J TEFC	1
	39742	MOTOR, 1.5 HP-1 PH 56J TEFC	1
	50140	MOTOR, 1.5 HP-3 PH 56J TEFC	1
	38231	MOTOR, 1 HP-1 PH 56J TEFC	1
	50101	MOTOR, 1 HP-3 PH 56J TEFC	1
	38211	MOTOR, 3/4 HP-1 PH 56J TEFC	1
	50094	MOTOR, 3/4 HP-3 PH 56J TEFC	1
7	36355	PIPE PLUG 1/8" NPT, BRONZE	1
8	39734	VOLUTE	1
9	39757	SEAL ASSEMBLY, CARBON/SILICON CARBIDE	1
10	39738	SEAL HOUSING	1
11	39740	APAPTER, ALUMINUM T-3 ANODIZED	1
12	28053	FLAT WASHER 304 SS	4
13	25663	CAPSCREW 3/8-16 x 3/4 304 SS	4

