



SERIES 80

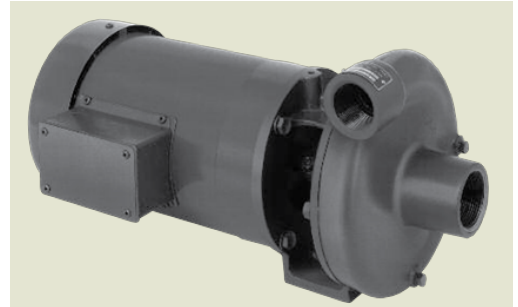
1-1/2" x 1-1/4" End Suction Centrifugal Pump

SERIES 80 end suction centrifugal pumps are close-coupled to standard NEMA "C" face motors. Open adaptor protects motor. All models are available in cast iron, bronze or aluminum construction to suit a wide variety of liquids.

All fasteners are stainless steel to reduce corrosion. Impellers are dynamically balanced to improve efficiency and bearing life.

Standard carbon / ceramic / Viton mechanical seal is self-adjusting and corrosion resistant to handle almost any liquid.

Completely tested "Wet End" PumPAKs are available without motors. The MP PumPAK® can be mounted to standard NEMA C frame motors in just minutes.



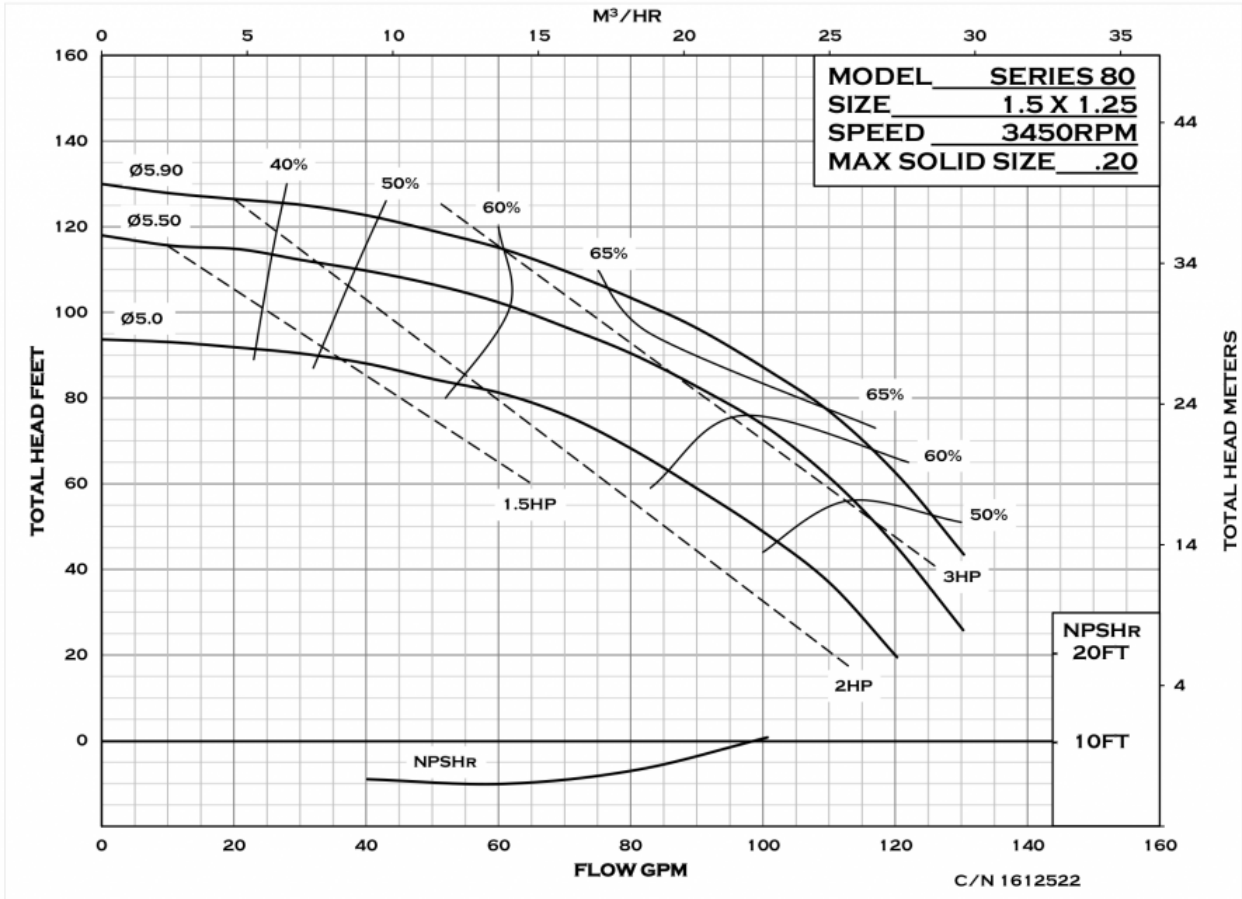
Application

- Agricultural
- Commercial
- Industrial
- OEM

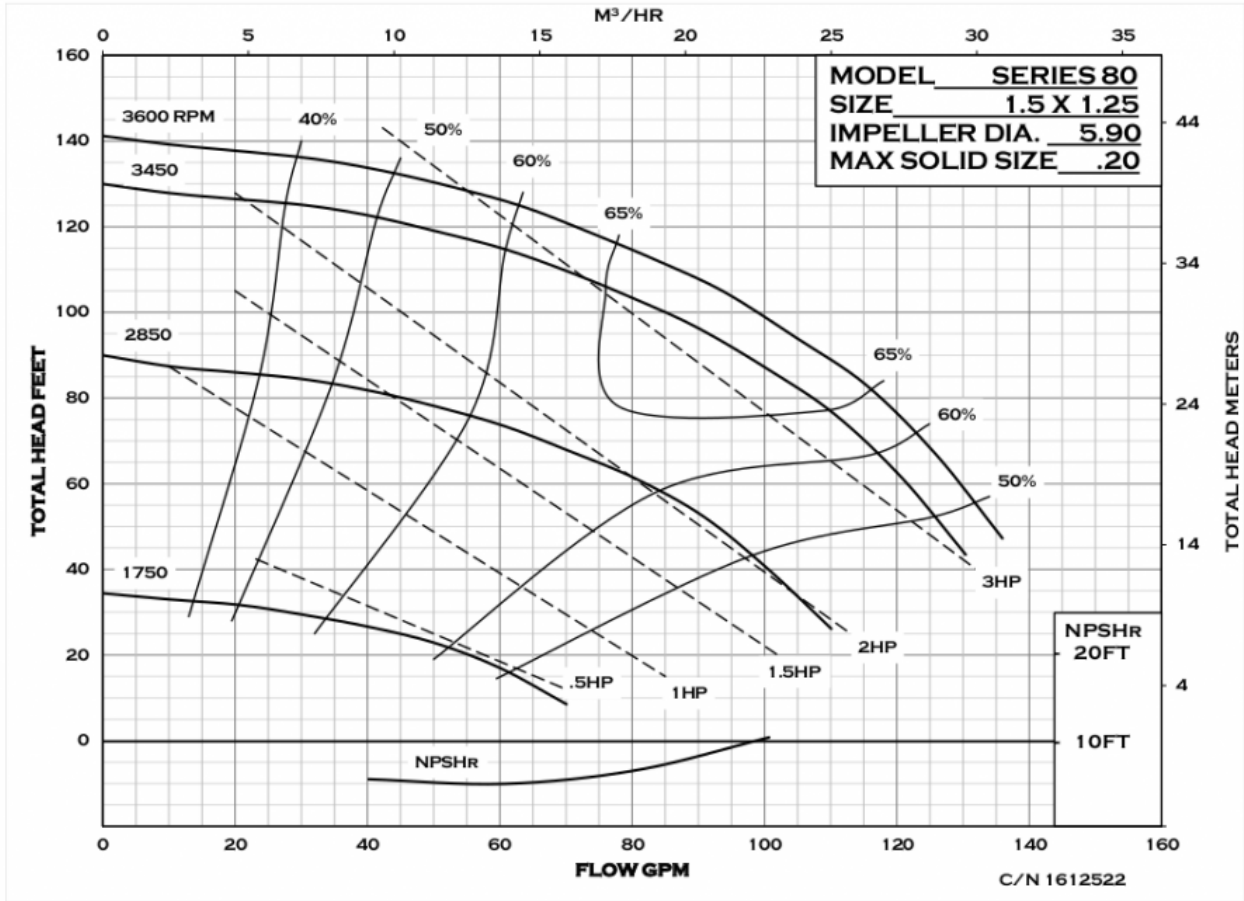
SPECIFICATIONS:

Suction And Discharge	1-1/2" x 1-1/4" NPT
Materials Of Construction	Bronze, Cast iron
Flow	Up to 80 GPM
Head Feet	Up to 139'
Impeller	5.9" enclosed
Motor	Up to 3 HP
Drive Options	Close coupled 56J, Hydraulic motor .37 cu. in., Hydraulic motor .45 cu. in., Hydraulic motor .58 cu. in., Close coupled 145TC, Pedestal, PumPAK® (without motor)
Seal	Special seal material combinations available (consult factory), Standard carbon / ceramic / Viton
Max Solid Size	.13"

SERIES 80

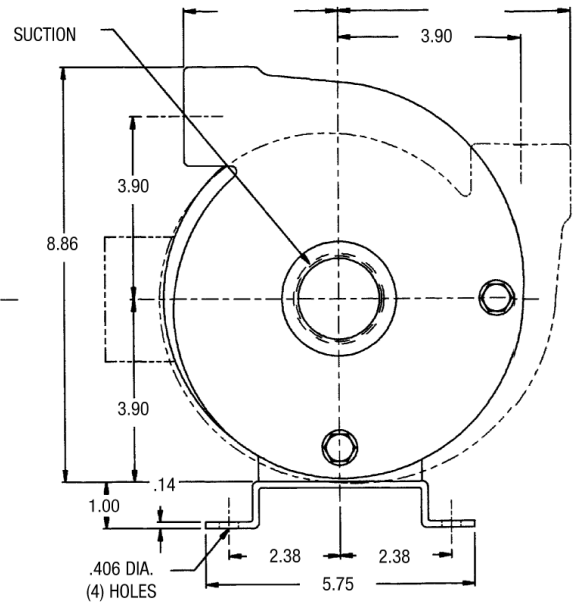
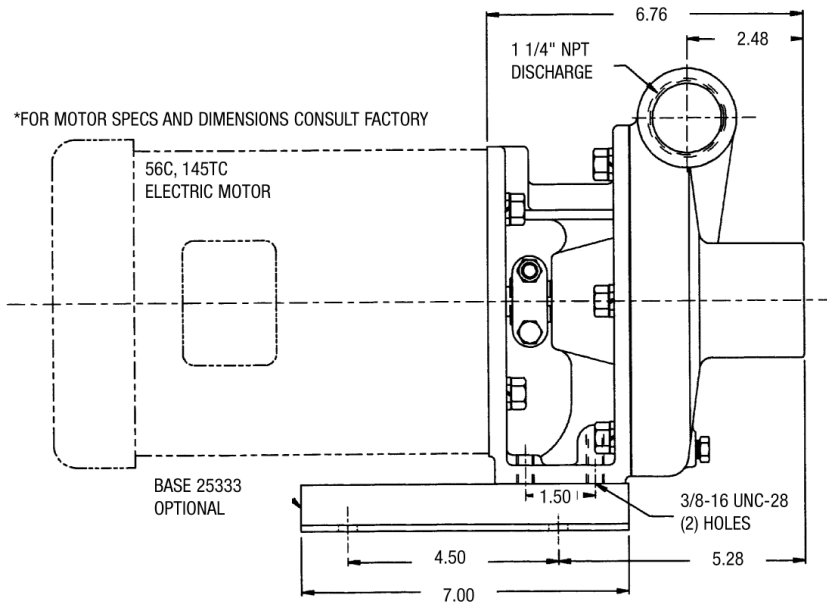


34800 BENNETT - FRASER, MI 48026-1686
 (586) 293-8240 - FAX (586) 293-8469
 (800) 563-8006 - www.mppumps.com

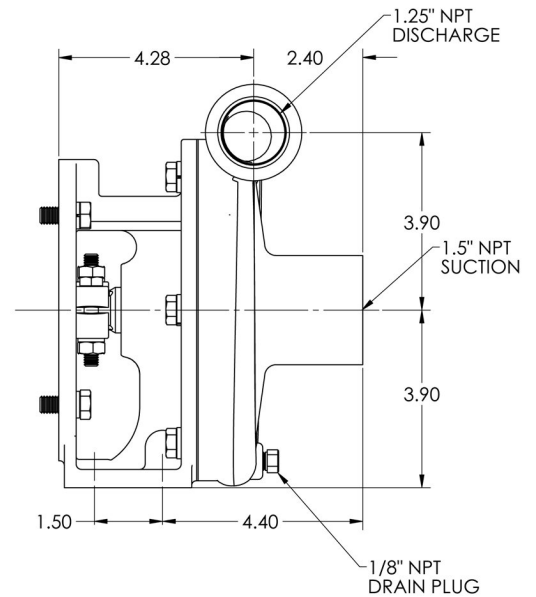
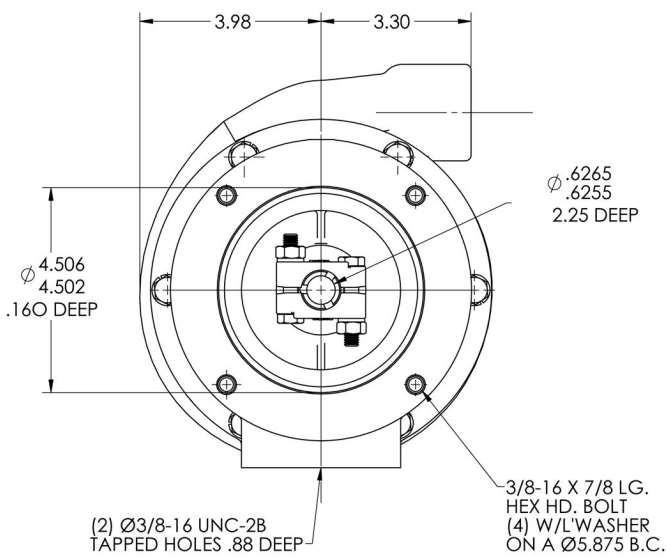


34800 BENNETT - FRASER, MI 48026-1686
 (586) 293-8240 - FAX (586) 293-8469
 (800) 563-8006 - www.mppumps.com

SERIES 80



27046



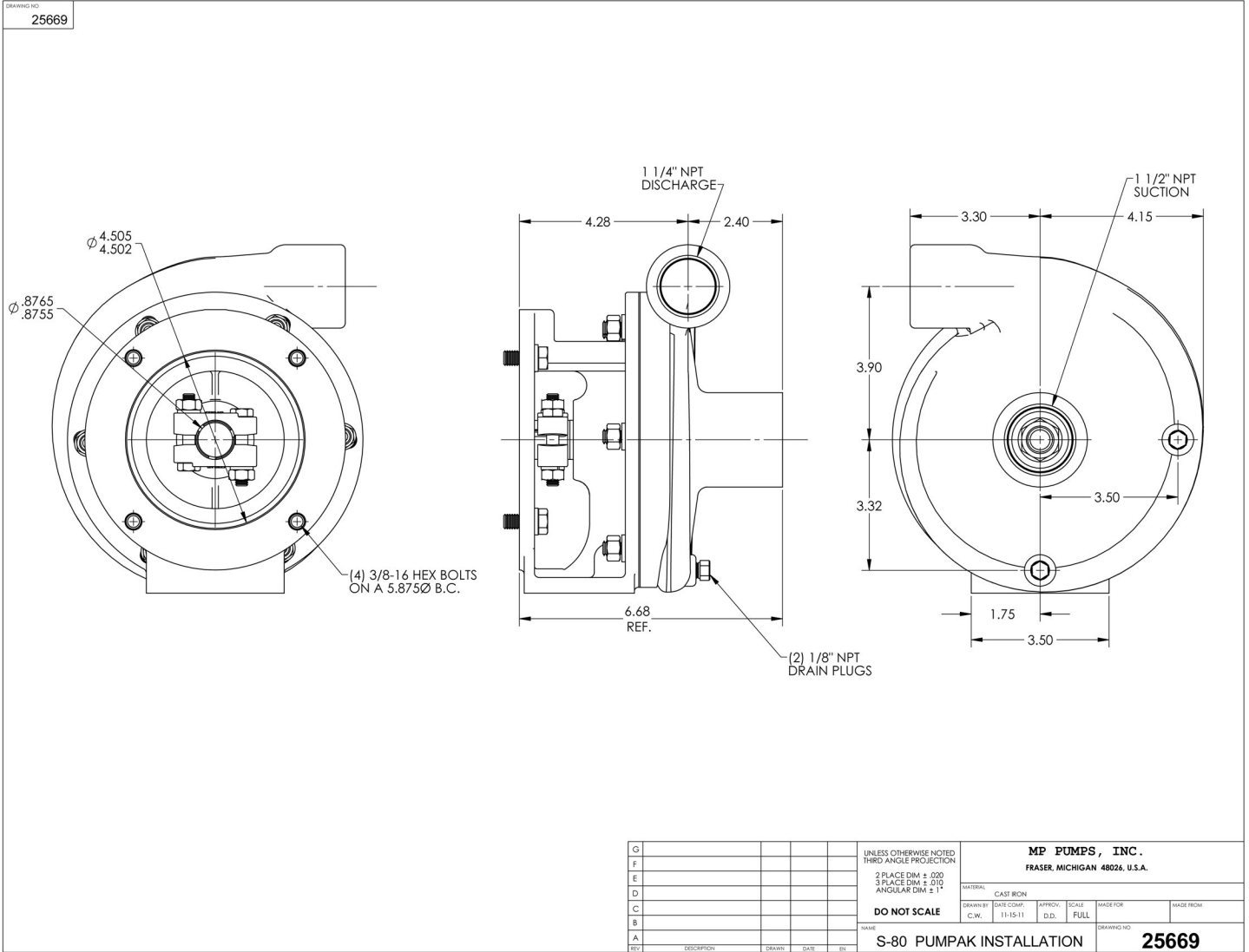
(56C)

G											
F											
E											
D											
C											
B											
A											
REV	DESCRIPTION	DRAWN	DATE	BY	UNLESS OTHERWISE NOTED THIRD ANGLE PROJECTION 2 PLACE DIM ± .020 3 PLACE DIM ± .010 ANGULAR DIM ± 1°			MP PUMPS, INC. FRASER, MICHIGAN 48026, U.S.A.			
					MATERIAL: CAST AND DUCTILE IRON DO NOT SCALE			DRAWN BY: C.W. DATE DESIGNED: 2-26-2013 APPROVED: D.D. SCALE: FULL	MADE FOR:	MADE FROM:	
					NAME: S-80 PUMPAK INSTALLATION			DRAWING NO: 27046			



34800 BENNETT - FRASER, MI 48026-1686
 (586) 293-8240 - FAX (586) 293-8469
 (800) 563-8006 - www.mppumps.com

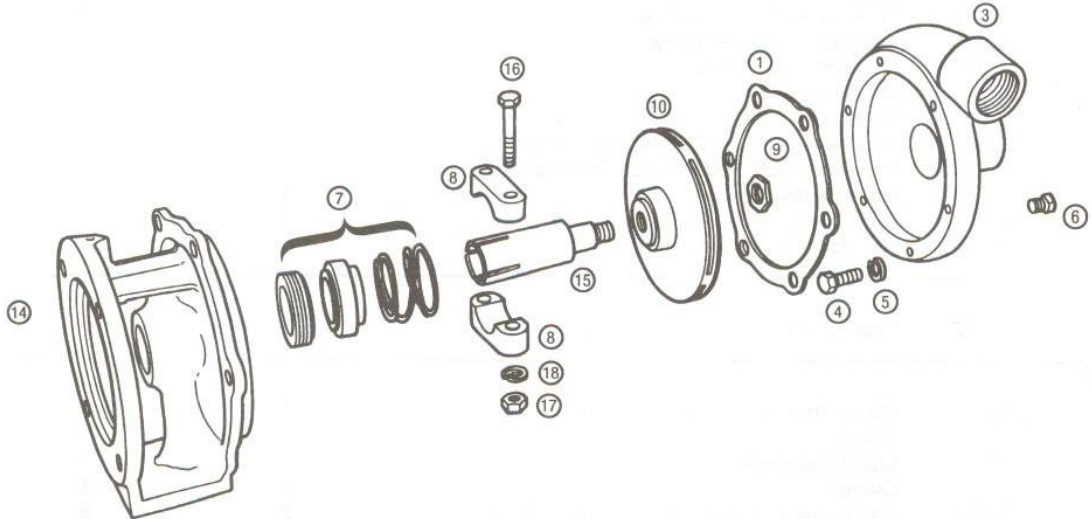
SERIES 80



MP PUMPS SERVICE PARTS LIST

- Straight Centrifugal
- Pumpak
- Electric Motor Drive
- Mechanical Seal

SERIES 80
1 1/2" x 1 1/4" Pipe Size



IMPORTANT: When ordering parts, specify model and serial number shown on nameplate.
 N/S means not shown in exploded view of parts.

ITEM NO.	PART NO.	DESCRIPTION	QUANTITY REQUIRED PER MODEL		
			ROTATION	ALL MODELS LISTED ARE RIGHT HAND	
			PIPE SIZE	ALL MODELS LISTED ARE 1-1/2" x 1-1/4"	
			METAL	CAST IRON	BRONZE

HOUSING

3	25840	Housing Assembly — Cast Iron Incl.: Housing — Cast Iron		1	
4	25663	Capscrew — S.S. — 3/8" — 16" x 3/4"		6	
5	21266	Lockwasher — S.S. — 3/8" x 1/8"		6	
6	21255	Pipe Plug — S.S. — 1/8"		2	
1	25662	Gasket — Housing		1	
3	25842	Housing Assembly — Bronze Incl.: Housing — Bronze			1
4	25663	Capscrew — S.S. — 3/8" — 16" x 3/4"			6
5	21266	Lockwasher — S.S. — 3/8" x 1/8"			6
6	21185	Pipe Plug — Bronze — 1/8"			2
1	25662	Gasket — Housing			1



MP PUMPS, INC.
 TECUMSEH PRODUCTS COMPANY
 34800 BENNETT DRIVE • FRASER, MI 48026-1686
 (810) 293-8240 • FAX (810) 293-8469
 800 563-8006

FORM 7047-C

PRINTED IN U.S.A. (8-97)

ITEM NO.	PART NO.	DESCRIPTION	QUANTITY REQUIRED PER MODEL		
			ROTATION	ALL MODELS LISTED ARE RIGHT HAND	
			PIPE SIZE	ALL MODELS LISTED ARE 1-1/2" x 1-1/4"	
			METAL	CAST IRON	BRONZE
IMPELLER ENCLOSED					
10	25668	Impeller — 5.9" — Bronze		1	1
10	26090	Impeller — 5.75" — Bronze		1	1
10	25443	Impeller — 5.5" — Bronze		1	1
10	25818	Impeller — 5.0" — Bronze		1	1
10	25867	Impeller — 4.8" — Bronze		1	1
10	25988	Impeller — 4.5" — Bronze		1	1
10	25910	Impeller — 5.9" — Cast Iron Optional		1	1
10	25975	Impeller — 5.5" — Cast Iron Optional		1	1
10	26487	Impeller — 5.0" — Cast Iron Optional		1	1
10	26437	Impeller — 4.5" — Cast Iron Optional		1	1
15	25664	Drive Sleeve — S.S.— 7/8"		1	1
15	22253	Drive Sleeve — S.S.— 5/8"		1	1
9	22655	Hex Jam Nut — S.S. — 5/8"		1	1
SEAL					
7	22272	Seal Assembly		1	1
CLAMP					
8	23002	Clamp Assembly — 5/8" Sleeve		1	1
8	23003	Clamp Assembly — 7/8" Sleeve		1	1
16	21264	Capscrew — S.S. — 5/16" — 18" x 1-3/4"		2	2
17	21284	Hex Nut — S.S. — 5/16" — 18" x 17/64"		2	2
18	21238	Lockwasher — S.S. — 5/16" x 1/8"		2	2
ADAPTOR					
14	25332	Adaptor — Cast Iron		1	
14	25674	Adaptor — Bronze			1
12	21251	Capscrew — S.S. — 3/8" — 16" x 7/8"		4	4
13	21266	Lockwasher — S.S. — 3/8" x 1/8"		4	4

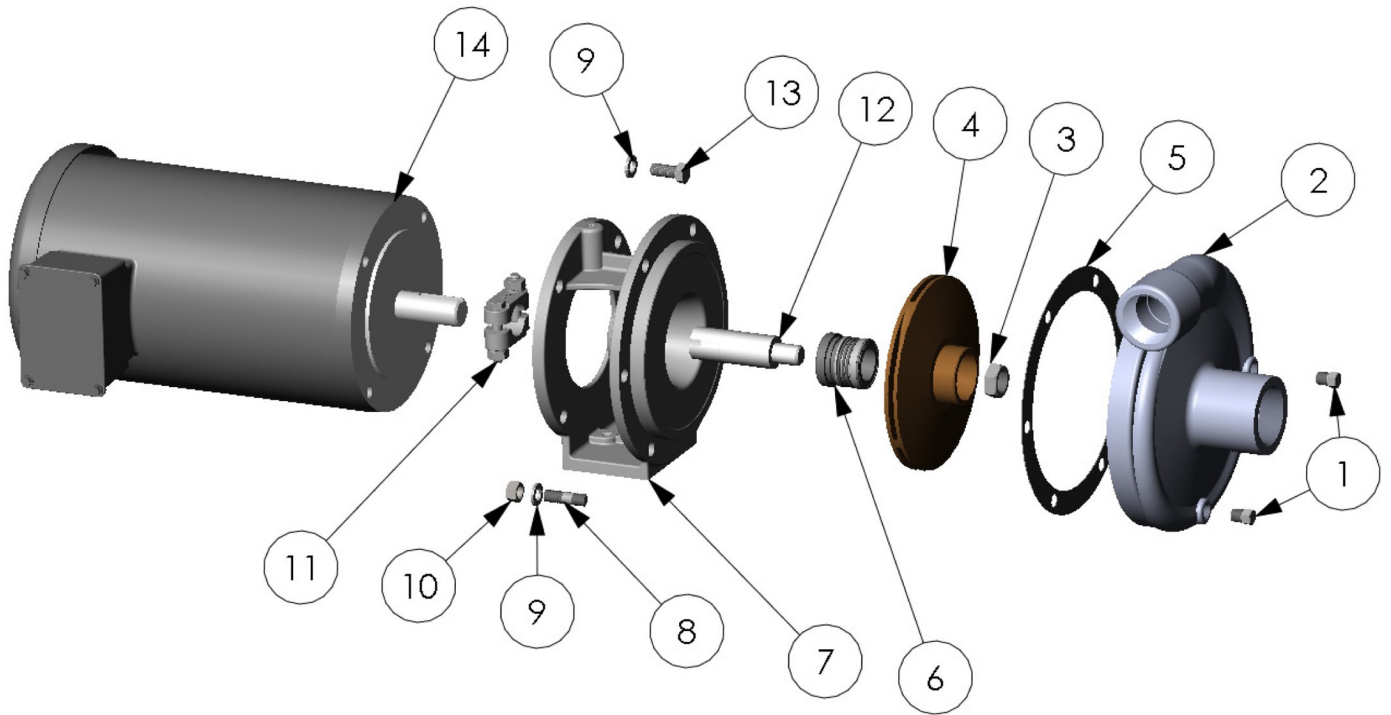


FORM 7047-C

PRINTED IN U.S.A. (8-97)



34800 BENNETT - FRASER, MI 48026-1686
 (586) 293-8240 - FAX (586) 293-8469
 (800) 563-8006 - www.mppumps.com



ITEM NO.	PART NO.	DESCRIPTION	QTY.
1	21585	PIPE PLUG ZPS - 1/8" NPT	2
2	25666	HOUSING D - 1.5" X 1.25"	1
3	22655	JAM NUT S.S. - 5/8"-18	1
4	25668	IMPELLER B - 5.9" O.D.	1
*	5	25662 GASKET - KLINGERSIL - C-4433	1
*	6	22273 SEAL- VITON	1
7	25332	ADAPTER C	1
8	21260	STUD S.S. - 3/8-16 X 1.32	6
9	21266	LOCKWASHER S.S. - 3/8"	10
10	21268	HEXNUT S.S. - 3/8-16	6
11	23003	CLAMP ASSY. S.S.	1
12	25664	DRIVE SLEEVE S.S. - 7/8"	1
13	21251	HEX HD. CAPSCREW S.S. 3/8-16 X .88	4
14	25920	ELE. MOTOR 3HP, 3PH, 3450 RPM, 145TC NO BASE	1

*- RECOMMENDED REPLACEMENT