



SERIES 700

4" x 3" End Suction Centrifugal Pump

ANSI A-40 design SERIES 700 centrifugal pumps are available in ductile iron construction with stainless steel fasteners and choice of either mechanical seal or stuffing box design. With enclosed impeller, capacities range from 900 GPM with heads up to 170 feet.

Enclosed impeller is dynamically balanced to improve efficiency and bearing life. Standard carbon / ceramic / Viton mechanical seal is self-adjusting and corrosion resistant to handle almost any liquid.

Tested pumps are available with or without motors. Various impeller diameters are available to suit different head/flow requirements.

SPECIFICATIONS:

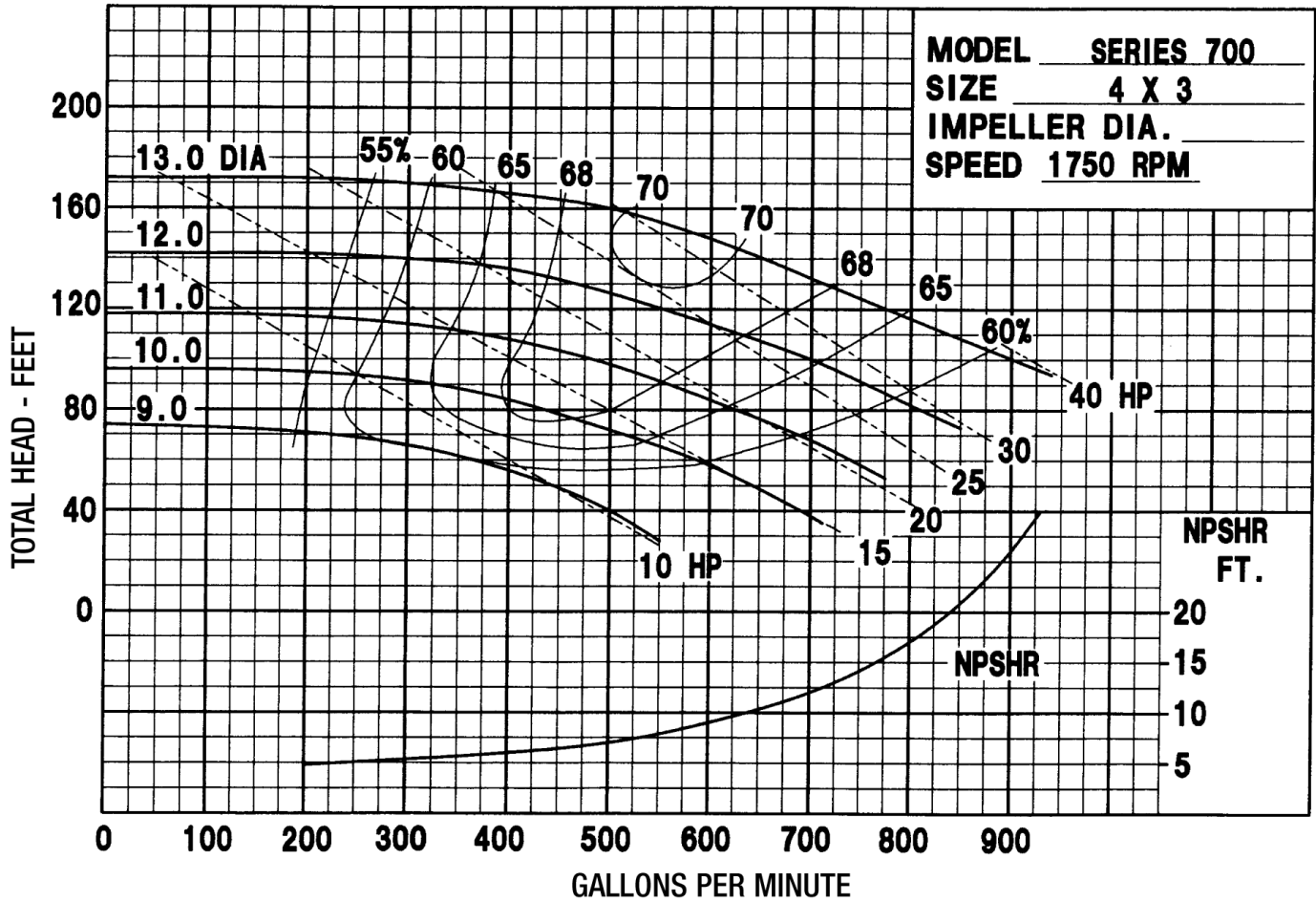
| | |
|---------------------------|---|
| Suction And Discharge | 4" x 3" 150# ANSI Flanges |
| Materials Of Construction | Ductile iron |
| Flow | Up to 900 GPM |
| Head Feet | Up to 170' |
| Impeller | 13" enclosed |
| Motor | Up to 40 HP |
| Drive Options | Close coupled 256JP, Pedestal |
| Seal | Special seal material combinations available (consult factory), Standard carbon / ceramic / Viton |
| Max Solid Size | .65" |



Application

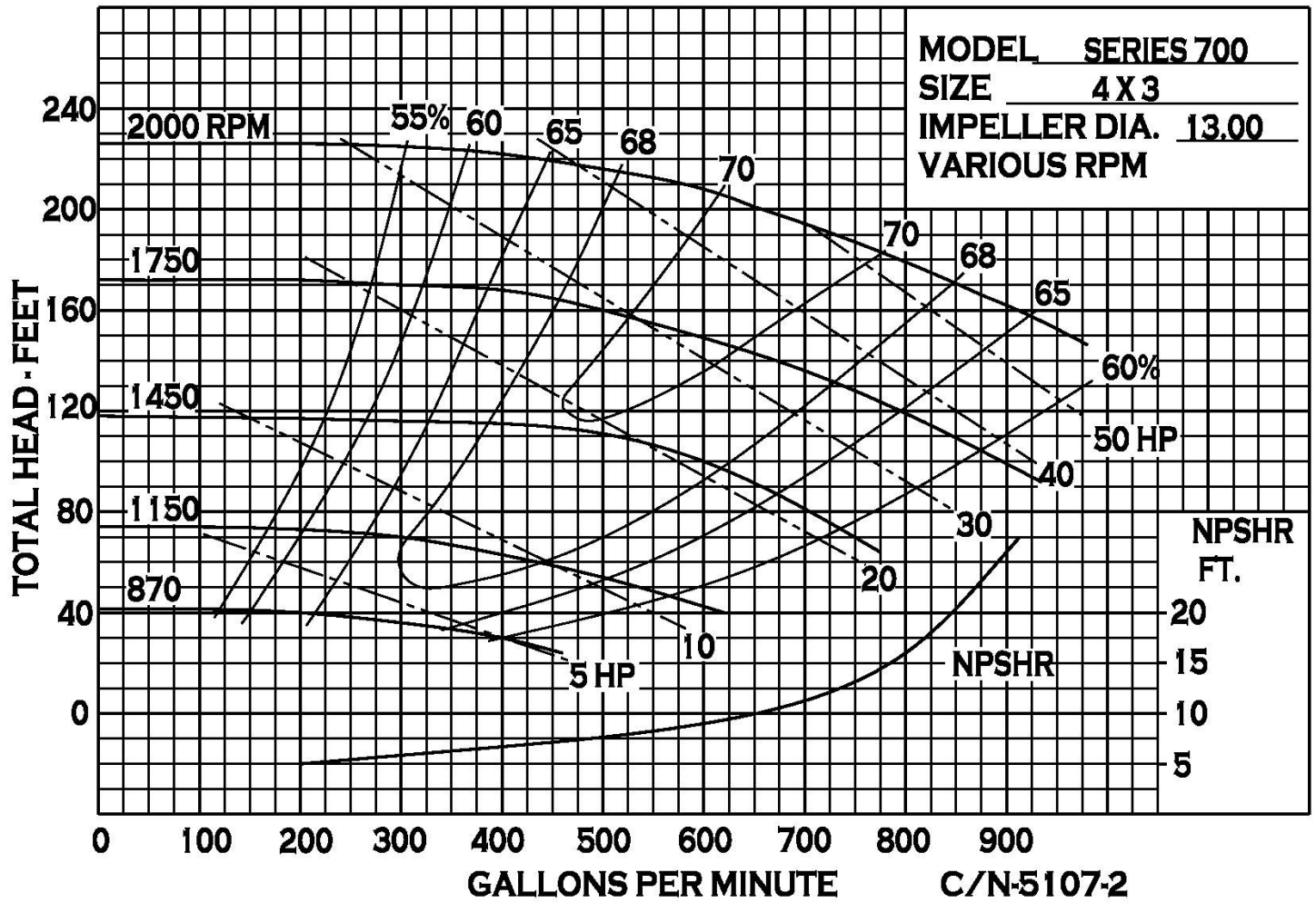
- Agricultural
- Commercial
- Industrial
- OEM

SERIES 700



34800 BENNETT - FRASER, MI 48026-1686
 (586) 293-8240 - FAX (586) 293-8469
 (800) 563-8006 - www.mppumps.com

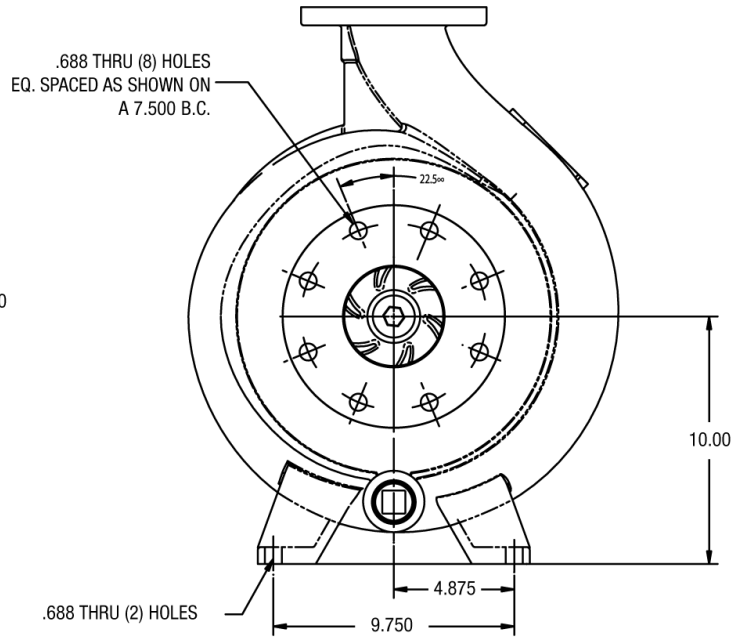
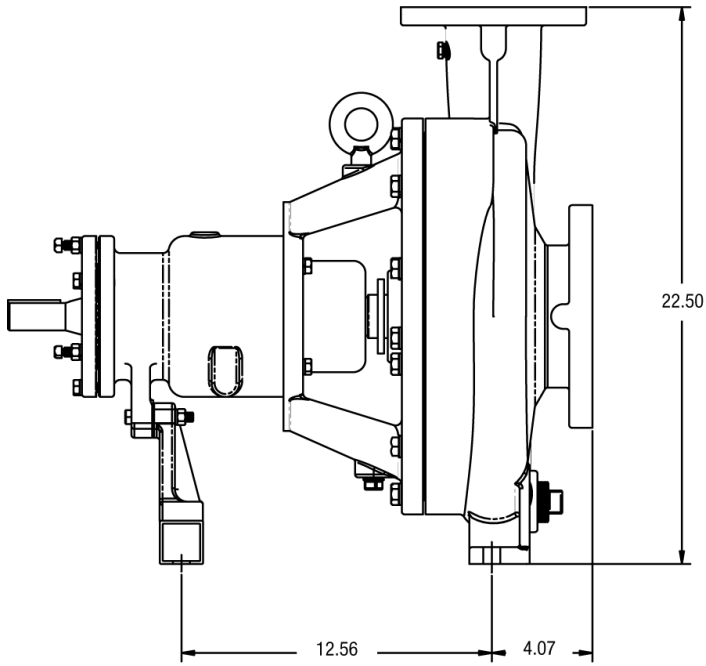
SERIES 700



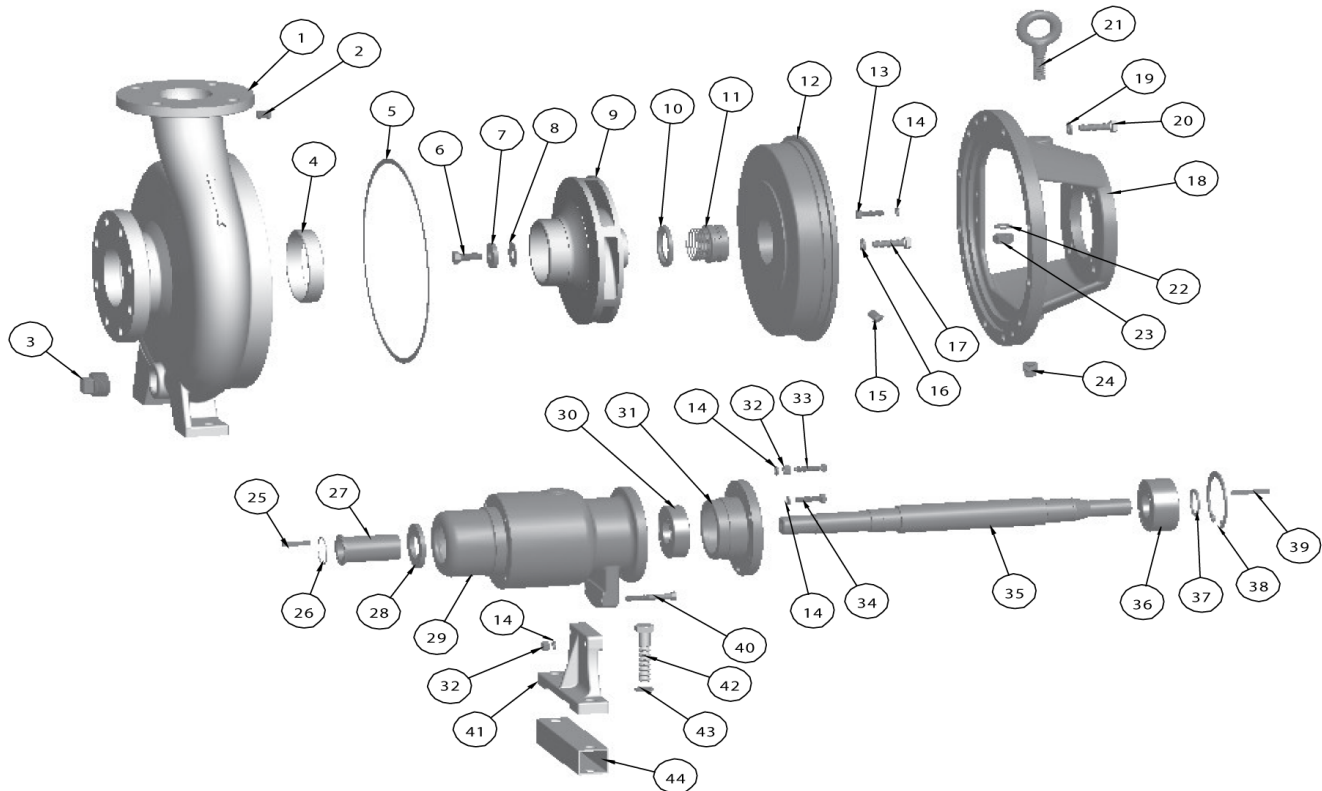
34800 BENNETT - FRASER, MI 48026-1686
 (586) 293-8240 - FAX (586) 293-8469
 (800) 563-8006 - www.mppumps.com

SERIES 700

SERIES 700

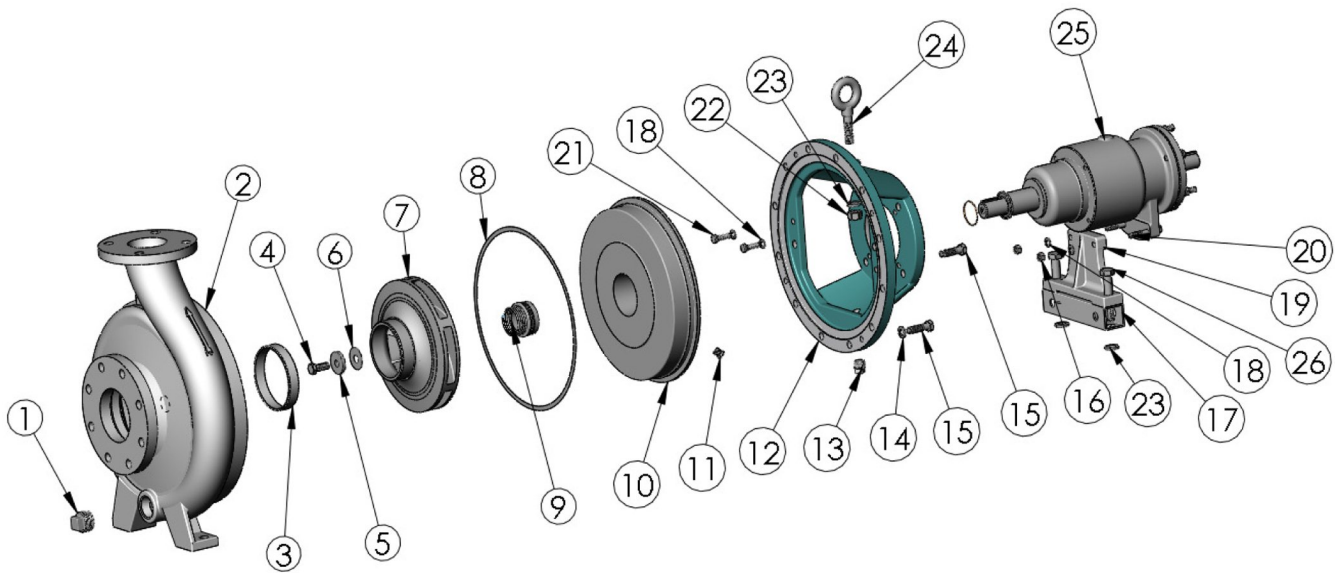


SERIES 700



| PART NO. | ITEM NO. | DESCRIPTION | QTY. | | PART NO. | ITEM NO. | DESCRIPTION | QTY. |
|----------|----------|-----------------------------|-------|---|----------|----------|---------------------------|------|
| 27159 | 1 | Housing Assembly | 1 | | 26686 | 21 | Eye bolt | 1 |
| 41475 | 2 | Drain Plug 1/4" | incl. | | 26258 | 22 | Washer | 1 |
| 27205 | 3 | Drain plug 1.25" | incl. | | 22461 | 23 | Nut 5/8-11 | 1 |
| 26673 | 4 | Wear Ring | incl. | | 41479 | 24 | Drain plug 1/2" | 1 |
| * 27146 | 5 | Gasket - housing | 1 | | 25299 | 25 | Key 1/4 Sq. x 1.5" | 1 |
| 26674 | 6 | Seelbolt | 1 | * | 33472 | 26 | O-ring | 1 |
| 26675 | 7 | Washer - impeller | 1 | * | 33059 | 27 | Shaft Sleeve | 1 |
| * 27403 | 8 | Gasket - rulon | 1 | | 26680 | 28 | Slinger | 1 |
| 27140 | 9 | Impeller 13" | 1 | | 33056 | 29 | Bearing Body | 1 |
| 27141 | 9 | Impeller 12" | 1 | | 33053 | 30 | Ball Bearing - Single | 1 |
| 27143 | 9 | Impeller 11" | 1 | | 33051 | 31 | Retainer - Bearing | 1 |
| 27144 | 9 | Impeller 10" | 1 | | 21268 | 32 | Hexnut 3/8-16 | 5 |
| 26972 | 10 | Spring Holder | 1 | | 21274 | 33 | Capscrew 3/8-16 1.25" | 3 |
| * 26685 | 11 | Seal - Carbon/Ceramic/Viton | 1 | | 43926 | 34 | Capscrew 3/8-16 1.5" | 3 |
| * 26752 | 11 | Seal - Severe Service | 1 | | 33052 | 35 | Shaft | 1 |
| 27155 | 12 | Seal Housing | 1 | | 33054 | 36 | Ball Bearing - Double | 1 |
| 21274 | 13 | Capscrew 3/8-16 x 1.25" | 4 | | 33057 | 37 | Snap ring 1.43 x .109 | 1 |
| 21266 | 14 | Washer 1/8 x 3/8" | 12 | | 33058 | 38 | Snap ring 3.936 x .109 | 1 |
| 41475 | 15 | Drain plug | 1 | | 26796 | 39 | Key .25 x .25 x 2.125" | 1 |
| 21254 | 16 | Washer | 4 | | 21275 | 40 | Capscrew 3/8-16 2.5" | 2 |
| 27147 | 17 | Capscrew 1/2-13 1.75" | 4 | | 26667 | 41 | Support - Bearing Housing | 1 |
| 27134 | 18 | Adaptor | 1 | | 27248 | 42 | Capscrew 5/8-18 | 2 |
| 21254 | 19 | Lock washer 1/2 x 7/8" | 14 | | 26258 | 43 | Washer 5/8" | 3 |
| 27147 | 20 | Capscrew 1/2-13 1.75" | 12 | | 27157 | 44 | Spacer | 1 |

*- RECOMMENDED REPLACEMENT PARTS



| ITEM NO. | PART NO. | DESCRIPTION | QTY. | ITEM NO. | PART NO. | DESCRIPTION | QTY. |
|----------|----------|---|------|----------|----------|---------------------------------------|------|
| 1 | 33489 | PIPE PLUG - 1 1/4" N.P.T. | 1 | 14 | 21254 | LOCKWASHER - S.S. - 1/2 | 14 |
| 2 | 33479 | HOUSING - DUCTILE IRON | 1 | 15 | 27147 | CAPSCREW - S.S. - 1/2-13 X 1.75" | 16 |
| * | 3 | 26673 WEAR RING - STEEL | 1 | 16 | 21268 | HEX NUT - S.S. - 3/8" | 5 |
| * | 4 | 26674 SEAL BOLT - S.S. - 1/2-13 | 1 | 17 | 27157 | SPACER STL. | 1 |
| 5 | 26675 | WASHER - S.S. | 1 | 18 | 21266 | LOCKWASHER S.S. - 3/8" | 6 |
| * | 6 | 27403 GASKET - RULON-LD - 1.7 X .56 X .03 | 1 | 19 | 26667 | BRACKET C | 1 |
| 7 | 27140 | IMPELLER D. - Ø13.0 ENCL. | 1 | 20 | 21275 | CAPSCREW - S.S. - 3/8-16 X 2.5" | 2 |
| * | 8 | 27146 GASKET NI-2085 - HOUSING | 1 | 21 | 21274 | HEX HD. CAPSCREW S.S. - 3.8-16 X 1.25 | 4 |
| * | 9 | 26685 SEAL - Ø1.75 - CERAMIC - VITON | 1 | 22 | 22461 | HEX NUT - S.S. - 5/8" | 1 |
| 10 | 27155 | SEAL ADAPTER - DUCTILE IRON | 1 | 23 | 26258 | LOCKWASHER - STEEL - 5/8" | 3 |
| 11 | 21267 | PIPE PLUG - S.S. - 1/4" N.P.T. | 1 | 24 | 26686 | EYE BOLT - STEEL - 5/8-11 | 1 |
| 12 | 27134 | ADAPTER - CAST IRON | 1 | 25 | 33186 | BODY ASSY. C. | 1 |
| 13 | 41479 | PIPE PLUG - C. - 1/2" N.P.T. | 1 | 26 | 27248 | HEX HD. CAPSCREW ZPS 3/8-18 X 3.50" | 2 |

*- RECOMMENDED REPLACEMENT PARTS