



SERIES 60

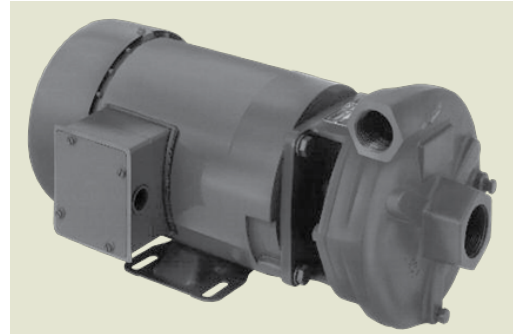
1-1/4" x 1" End Suction Centrifugal Pump

SERIES 60 end suction centrifugal pumps are close-coupled to standard NEMA "C" face motors. Series 60 models are available in cast iron construction to suit a wide variety of liquids. Bronze impellers are available.

All fasteners are stainless steel to reduce corrosion. Impellers are dynamically balanced to improve efficiency and bearing life.

Standard carbon / ceramic / Viton mechanical seal is self-adjusting and corrosion resistant to handle almost any liquid.

Completely tested "Wet End" PumPAKs are available without motors. The MP PumPAK® can be mounted to standard NEMA C frame motors in just minutes.



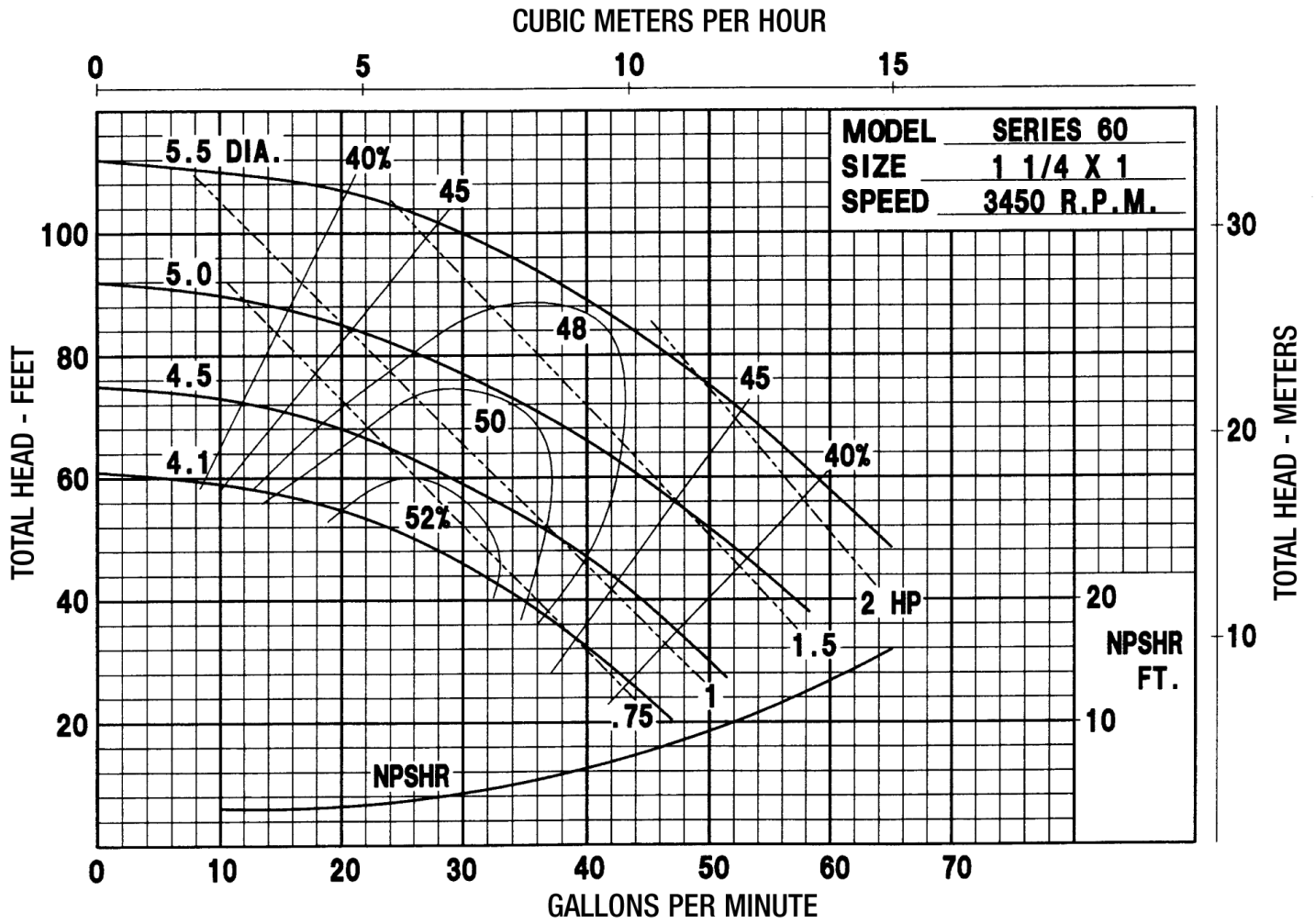
Application

- Agricultural
- Commercial
- Industrial
- OEM

SPECIFICATIONS:

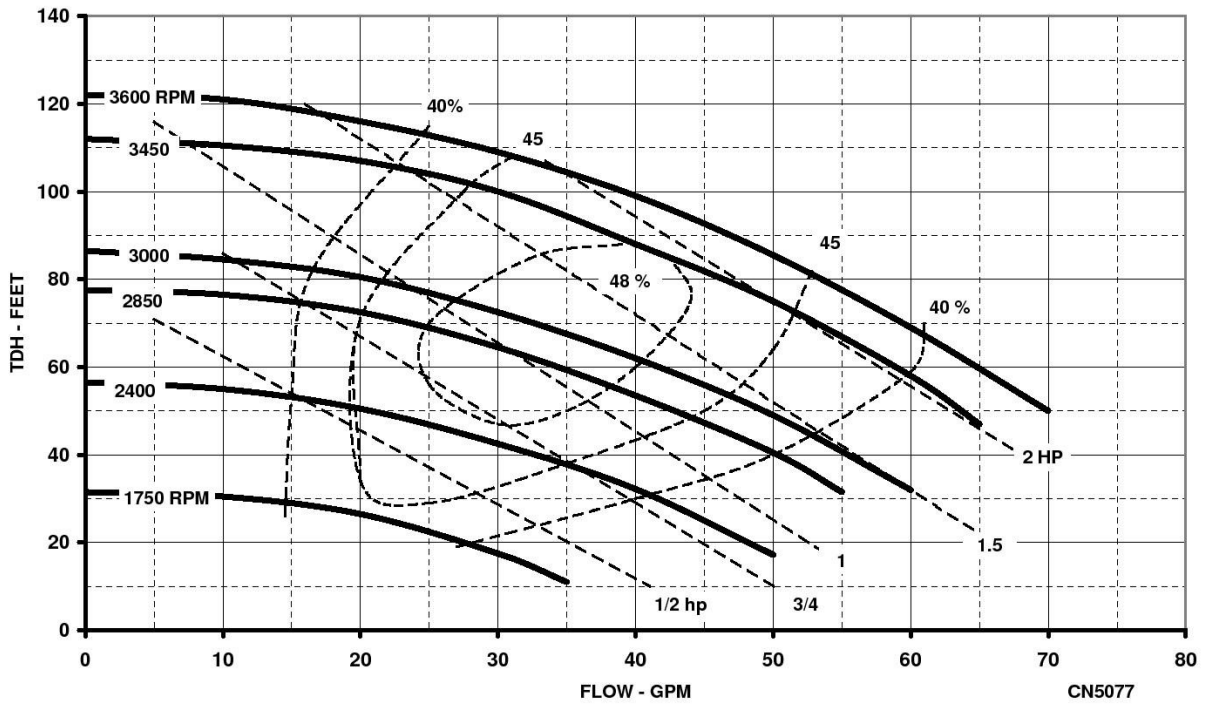
Suction And Discharge	1-1/4" x 1" NPT
Materials Of Construction	Cast iron
Flow	Up to 65 GPM
Head Feet	Up to 112'
Impeller	5.5" enclosed, cast iron or bronze
Motor	Up to 3 HP
Drive Options	Close coupled 56C, Hydraulic motor .37 cu. in., Hydraulic motor .45 cu. in., Hydraulic motor .58 cu. in., PumPAK® (without motor)
Seal	Special seal material combinations available (consult factory), Standard carbon / ceramic / Viton
Max Solid Size	.11"

SERIES 60

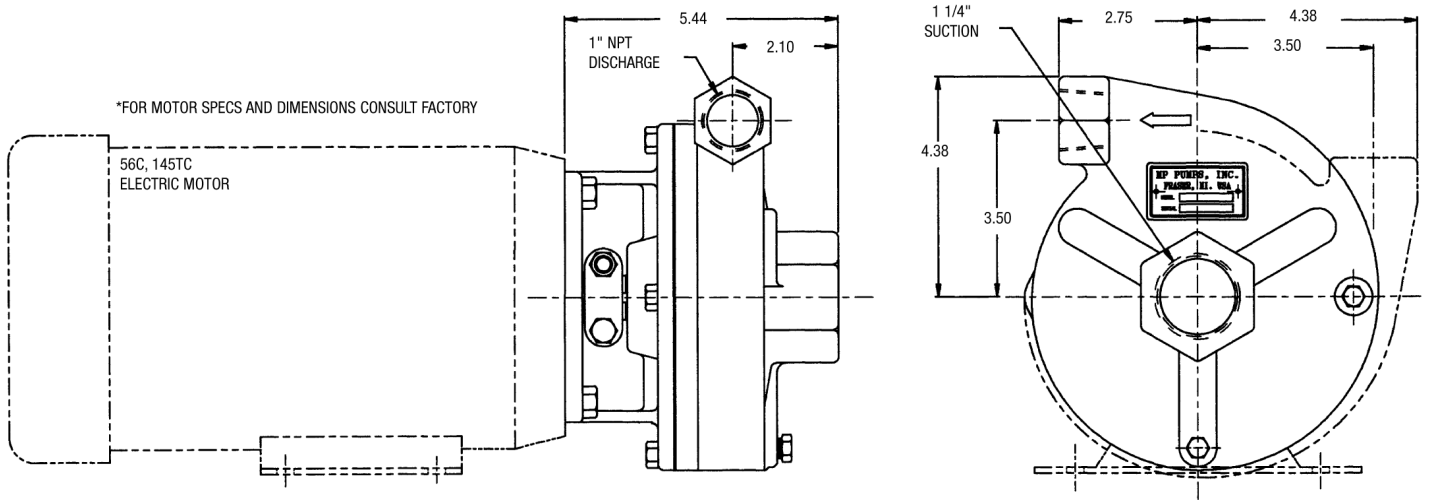


34800 BENNETT - FRASER, MI 48026-1686
 (586) 293-8240 - FAX (586) 293-8469
 (800) 563-8006 - www.mppumps.com

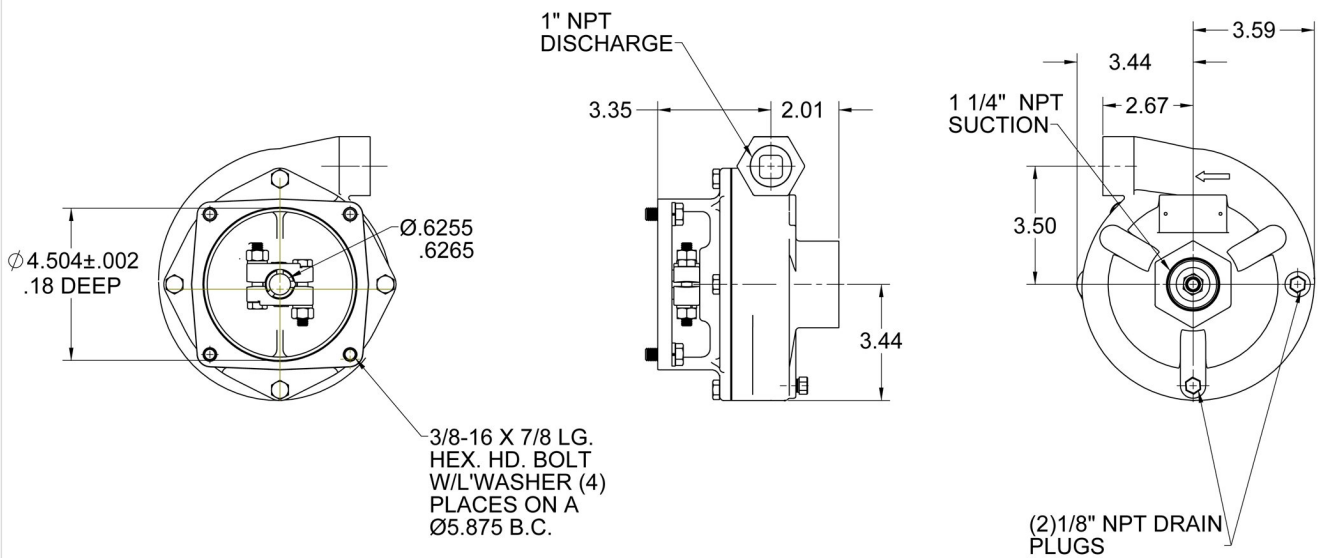
SERIES 60 5.50 Impeller



SERIES 60



DRAWING NO
27667



G						UNLESS OTHERWISE NOTED THRU ANGLE PROJECTION	MP PUMPS, INC.			
F							TECUMSEH PRODUCTS CO.			
E							FRASER, MICHIGAN 48026, U.S.A.			
D							MATERIAL	FEDERALLY ISSK	MADE FOR	MADE FROM
C						DO NOT SCALE	DRAWN BY	DATE COMP.	APPROV.	SCALE
B							C.W.	4-26-10	D.D.	FULL
A						NAME	S-60 PUMPAK INSTALLATION			DRAWING NO
REV	DESCRIPTION	DRAWN	DATE	EN						27667



34800 BENNETT - FRASER, MI 48026-1686
(586) 293-8240 - FAX (586) 293-8469
(800) 563-8006 - www.mppumps.com

SERIES 60

**CLOSE COUPLED
FOR ELECTRIC MOTOR DRIVE**

*with Mechanical Seal
1 1/4" x 1" Pipe Size*

**SERIES 60
STRAIGHT CENTRIFUGAL
PUMPAKS**

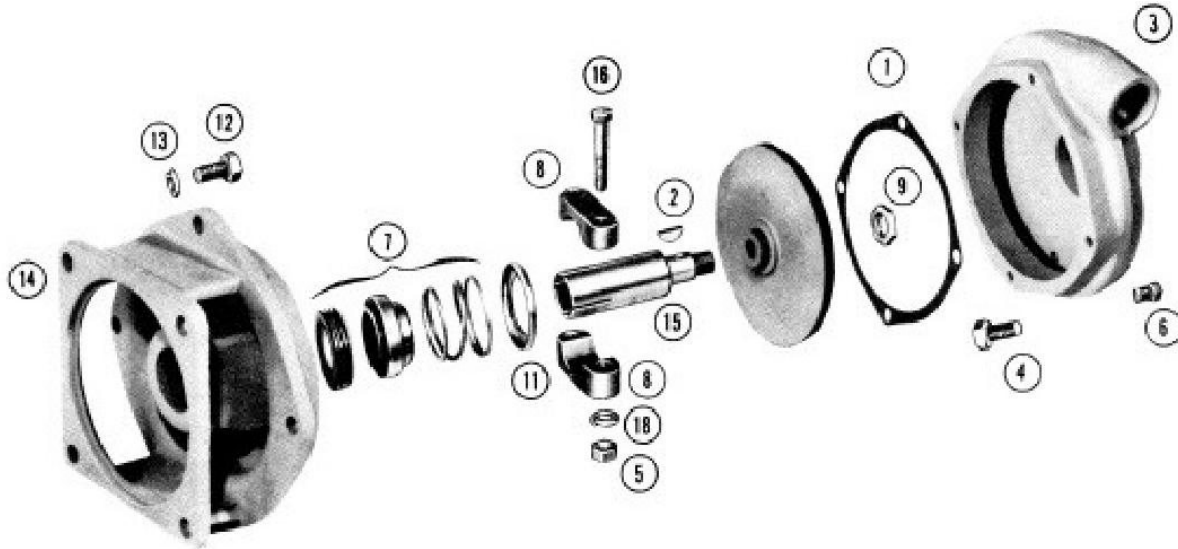


PHOTO IS TYPICAL VIEW ONLY

IMPORTANT: When ordering parts, specify model and serial number shown on nameplate.

ITEM NO.	PART NO.	DESCRIPTION	QUANTITY REQUIRED PER MODEL	
			ROTATION	Right Hand
			PIPE SIZE	1 1/2"x1"
			METAL	Cast Iron
			MODEL NUMBER	27667
				27670
				27673
				27727

HOUSING				
	27730	Housing Assembly—Includes:		1
3	27658	Housing — Cast Iron		1
6	21255	Pipe Plug — S.S. — 1/8" NPT		2
1	27665	Gasket		1
4	24965	Capscrew — S.S. — 1/4"		4
IMPELLER				
10	27662	Impeller — Bronze 5.50" dia. for Model 27667		1
10	27663	Impeller — Bronze 5.00" dia. for Model 27670		1
10	27664	Impeller — Bronze 4.50" dia. for Model 27673		1
10	27731	Impeller — Bronze 4.10" dia. for Model 27727		1
15	22131	Impeller Drive Sleeve 3/4"		1
9	22588	Lock Nut S.S. — 3/8"		1
2	21865	Impeller Drive Key		1



**SERVICE PARTS LIST
Form 7088B**

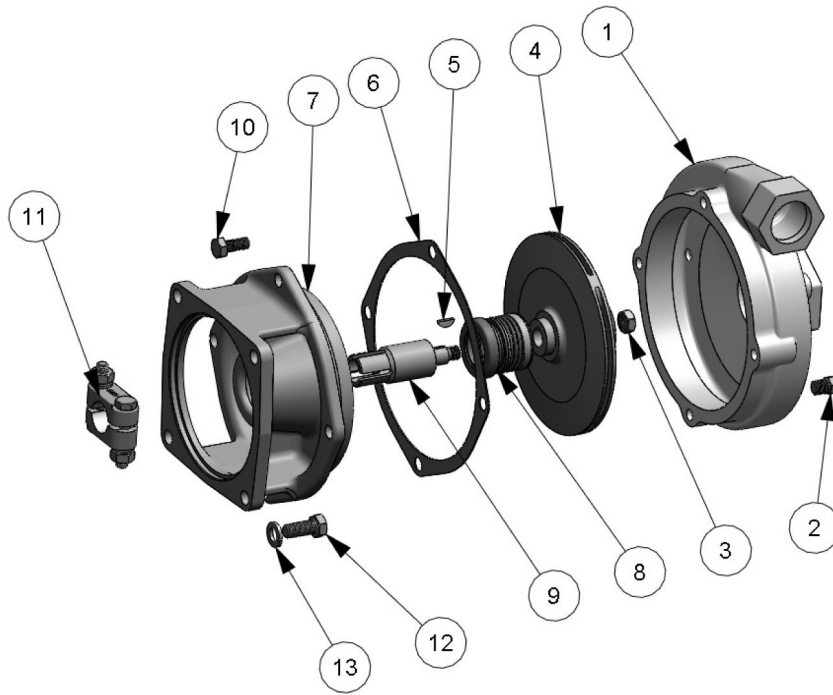
ITEM NO.	PART NO.	DESCRIPTION	QUANTITY REQUIRED PER MODEL	
			ROTATION	Right Hand
			PIPE SIZE	1/4"x1"
			METAL	Cast Iron
			MODEL NUMBER	27667
				27670
				27673
				27727
CLAMP				
8	23002	Clamp Assembly — Includes:		1
		Clamp		2
5	21284	Hex Nut — S.S. — 3/16"		2
18	21238	Lockwasher — S.S. — 3/16"		2
16	21264	Capscrew — S.S. — 3/16"		2
SEAL				
7	22272	Seal Assembly		1
11	22133	Seal Spring Retainer		1
ADAPTOR				
14	28593	Adaptor — Cast Iron		1
12	21251	Capscrew — S.S. — 3/8"		4
13	21266	Lockwasher — S.S. — 3/8"		4



Form 7088B



34800 BENNETT - FRASER, MI 48026-1686
 (586) 293-8240 - FAX (586) 293-8469
 (800) 563-8006 - www.mppumps.com



ITEM NO.	PART NO.	DESCRIPTION	QTY.
1	27658	HOUSING C - 1 1/4" X 1 1/2"	1
2	21585	PIPE PLUG ZPS - 1/8" NPT	2
3	22588	LOCK NUT S.S. - 3/8"-24	1
4	27662	IMPELLER B - Ø5.47	1
5	21865	KEY S.S. - WOODRUFF #2	1
*	6	GASKET - NI-2085	1
7	28593	ADAPTOR D - S-60	1
*	8	SEAL ASSEMBLY T-2100 - VITON	1
9	22131	DRIVE SLEEVE	1
10	24965	HEX HD. CAPSCREW S.S. - 5/16-18 X 3/4 PATCH	4
11	23002	CLAMP ASSY. S.S. - 5/8 & 3/4	1
12	21251	HEX HD SCREW S.S.- 5/16"-18 X .88"	4
13	21266	LOCKWASHER S.S. - 3/8"	4

* - RECOMMENDED REPLACEMENT PARTS