



SERIES 300

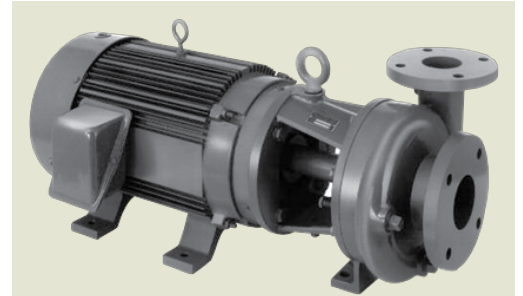
3" x 2-1/2" End Suction Centrifugal Pump

SERIES 300 centrifugal pumps are close-coupled to standard NEMA JP motors. All models are available in cast iron with stainless steel fasteners,

Enclosed impellers are dynamically balanced to improve efficiency and bearing life.

Standard carbon / ceramic / Viton mechanical seal is self-adjusting and corrosion resistant to handle almost any liquid.

Completely tested "Wet End" PumPAKs are available without motors. The MP PumPAK® can be mounted to standard NEMA frame motors in just minutes.



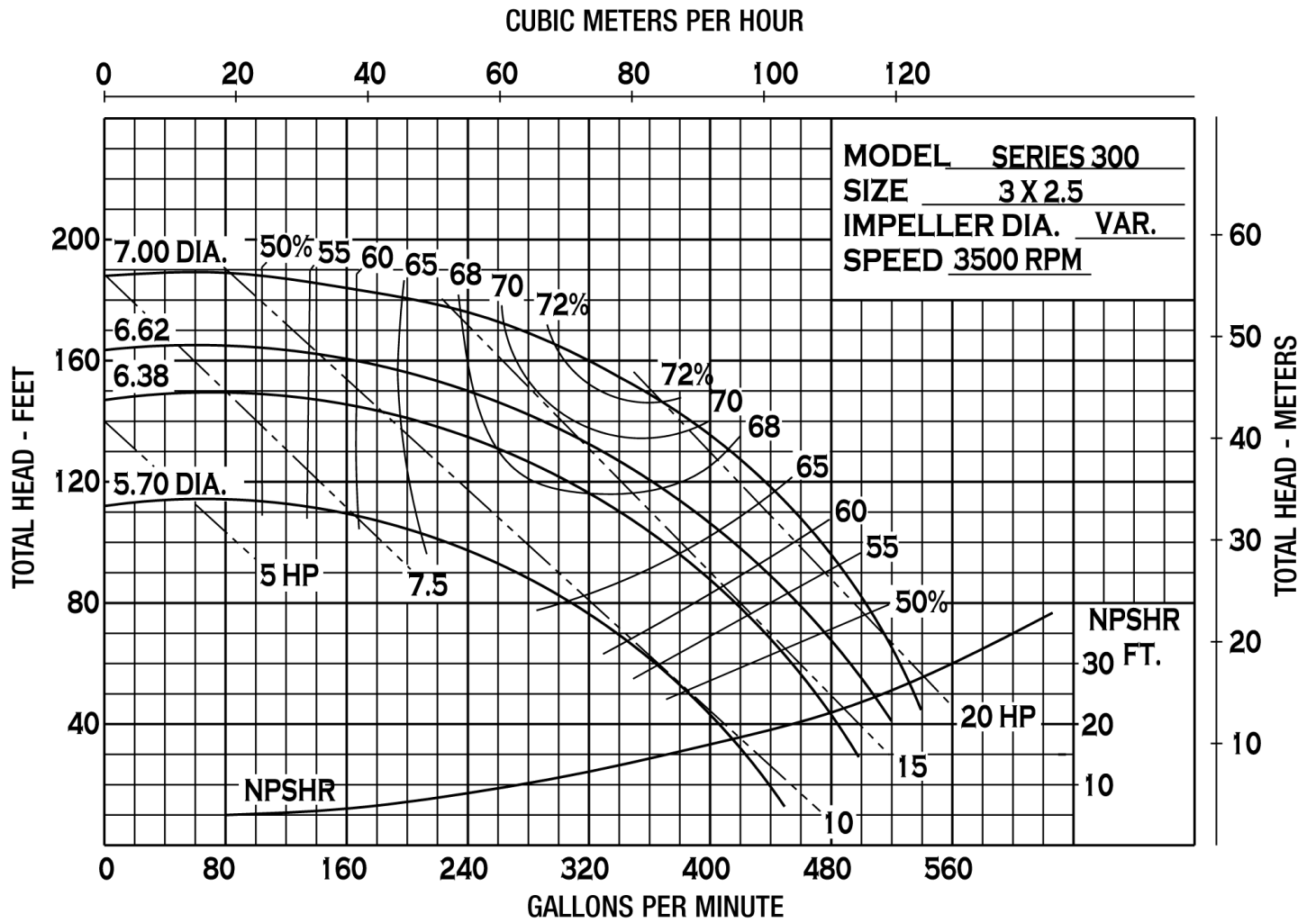
Application

- Agricultural
- Commercial
- Industrial
- OEM

SPECIFICATIONS:

Suction And Discharge	3" x 2-1/2" 150# ANSI Flanges
Materials Of Construction	Cast iron
Flow	Up to 520 GPM
Head Feet	Up to 190'
Impeller	7" enclosed cast iron
Motor	Up to 20HP
Drive Options	Close coupled 215JP, Close coupled 256JP, Hydraulic motor 1.16 cu. in., Hydraulic motor 1.58 cu. in.
Seal	Special seal material combinations available (consult factory), Standard carbon / ceramic / Viton
Max Solid Size	.47"

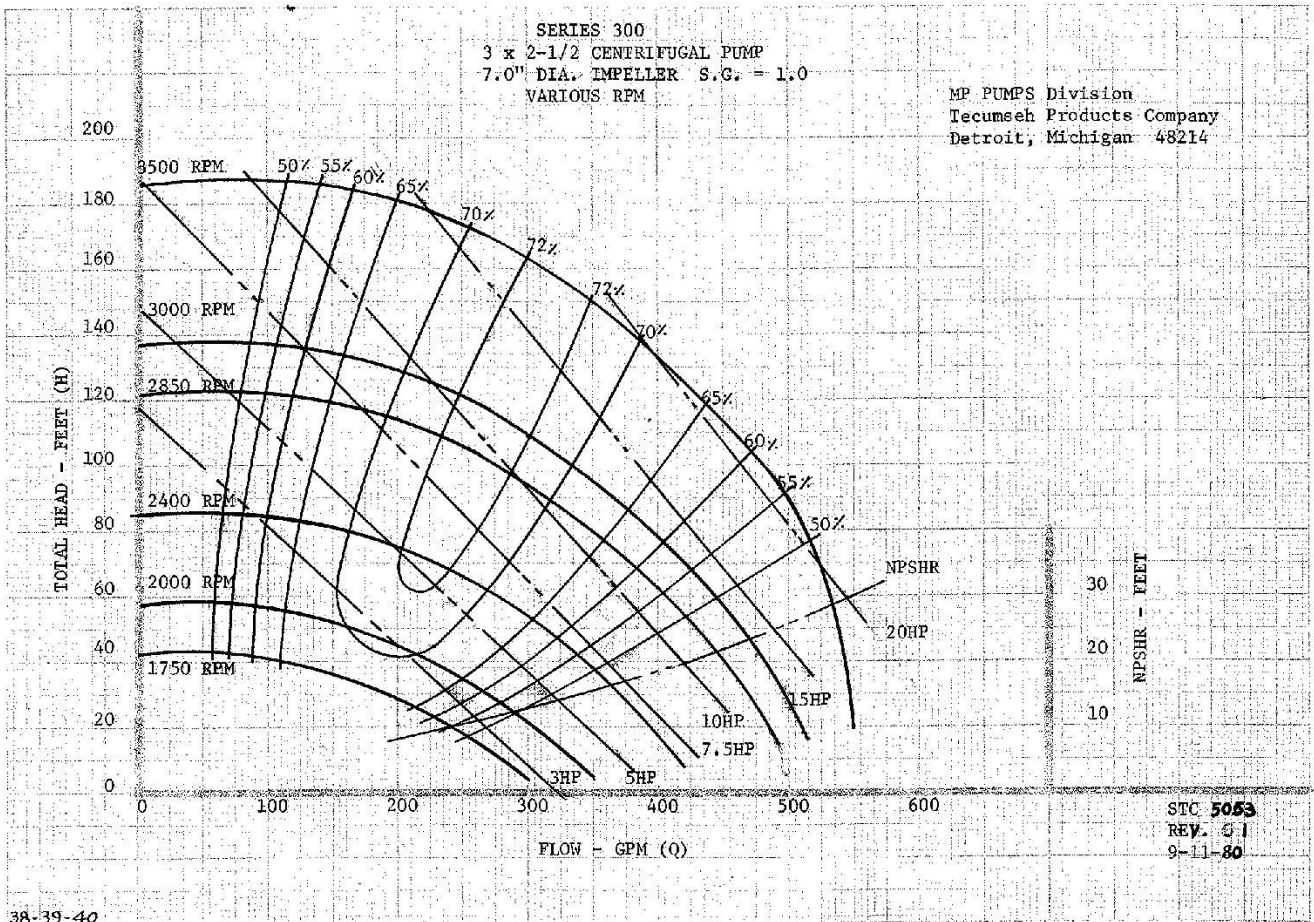
SERIES 300



34800 BENNETT - FRASER, MI 48026-1686
 (586) 293-8240 - FAX (586) 293-8469
 (800) 563-8006 - www.mppumps.com

SERIES 300
 3 x 2-1/2 CENTRIFUGAL PUMP
 7.0" DIA. IMPELLER S.G. = 1.0
 VARIOUS RPM

MP PUMPS Division
 Tecumseh Products Company
 Detroit, Michigan 48214



STC 5053
 REV. 01
 9-11-80

38-39-40

SERIES 300

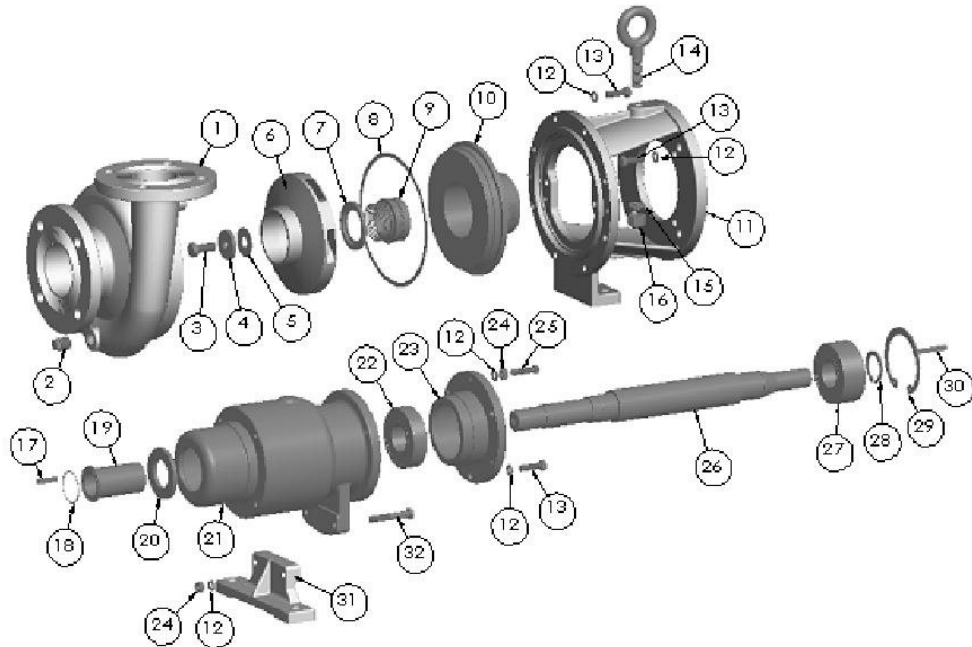


MP PUMPS SERVICE PARTS LIST

- Pedestal Mount Centrifugal
- Belt or Direct Drive

- Sealed Ball Bearings
- Mechanical Seal

SERIES 300
3" X 2-1/2" Pipe Size



ITEM NO.	PART NO.	DESCRIPTION	QTY.
1	26733	HOUSING- DUCTILE IRON	1
2	22656	PIPE PLUG- S.S. 1/2" NPT	2
3	26674	SEALBOLT S.S.- 1/2-13 X 1.25	1
4	26675	WASHER S.S.	1
5	27403	GASKET- TEFLON	1
6	26788	IMPELLER- DUCTILE IRON 7"	1
7	26912	SPRING RETAINER S.S.	1
8	26744	GASKET	1
9	26685	MECH. SEAL ASY- 1.75" VITON	1
10	26731	MECH. SEAL ADAPTOR- C.I.	1
11	26739	ADAPTOR- CAST IRON	1
12	21266	LOCKWASHER S.S.- 3/8	17
13	21274	CAPSCREW S.S.- 3/8-16 X 1.25	19
14	26686	EYE BOLT STL.- 5/8-11 X 2.12	1
15	26256	LOCKWASHER STL.- 5/8	1
16	22461	HEXNUT STL.- 5/8-11	1

ITEM NO.	PART NO.	DESCRIPTION	QTY.
17	25299	SQ. KEY- 1/4 X 1/4 X 1.25	1
18	33472	O-RING- VITON	1
19	33059	SLEEVE S.S.	1
20	26680	SLINGER- NEOPRENE	1
21	33056	BODY- C.I.	1
22	33053	BALL BEARING	1
23	33051	BEARING RETAINER- C.I.	1
24	21266	HEXNUT S.S.- 3/8-16	5
25	43326	DOG POINT SET SCREW- 3/8-16	3
26	33052	SHAFT	1
27	33054	BALL BEARING	1
28	33057	EXT. SNAP RING	1
29	33058	INT. SNAP RING	1
30	26796	SQ. KEY- 1/4 X 1/4 X 2.12	1
31	26741	BRACKET- C.I.	1
32	21275	CAPSCREW S.S.- 3/8-16 X 2.5	2

* RECOMMENDED REPLACEMENT PARTS

(NOTE: CALL FACTORY FOR MECHANICAL SEAL AND IMPELLER OPTIONS)



FORM 7071-B (10/04)