



SERIES 120

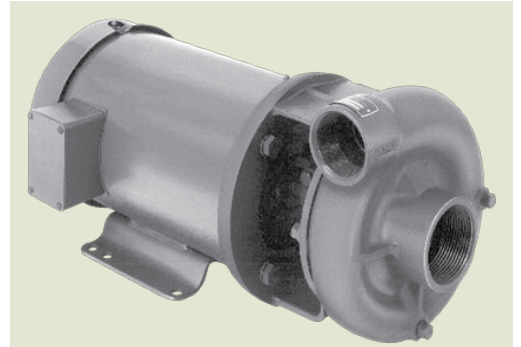
2" x 1-1/2" End Suction Centrifugal Pump

SERIES 120 centrifugal pumps are close-coupled to standard NEMA JM motors. A special adaptor protects the motor. All models are available in cast iron with a bronze impeller.

All fasteners are stainless steel to reduce corrosion. Enclosed impellers are dynamically balanced to improve efficiency and bearing life.

Standard carbon / ceramic / Viton mechanical seal is self-adjusting and corrosion resistant to handle almost any liquid.

Completely tested "Wet End" PumPAKs are available without motors. The MP PumPAK® can be mounted to standard NEMA C frame motors in just minutes.



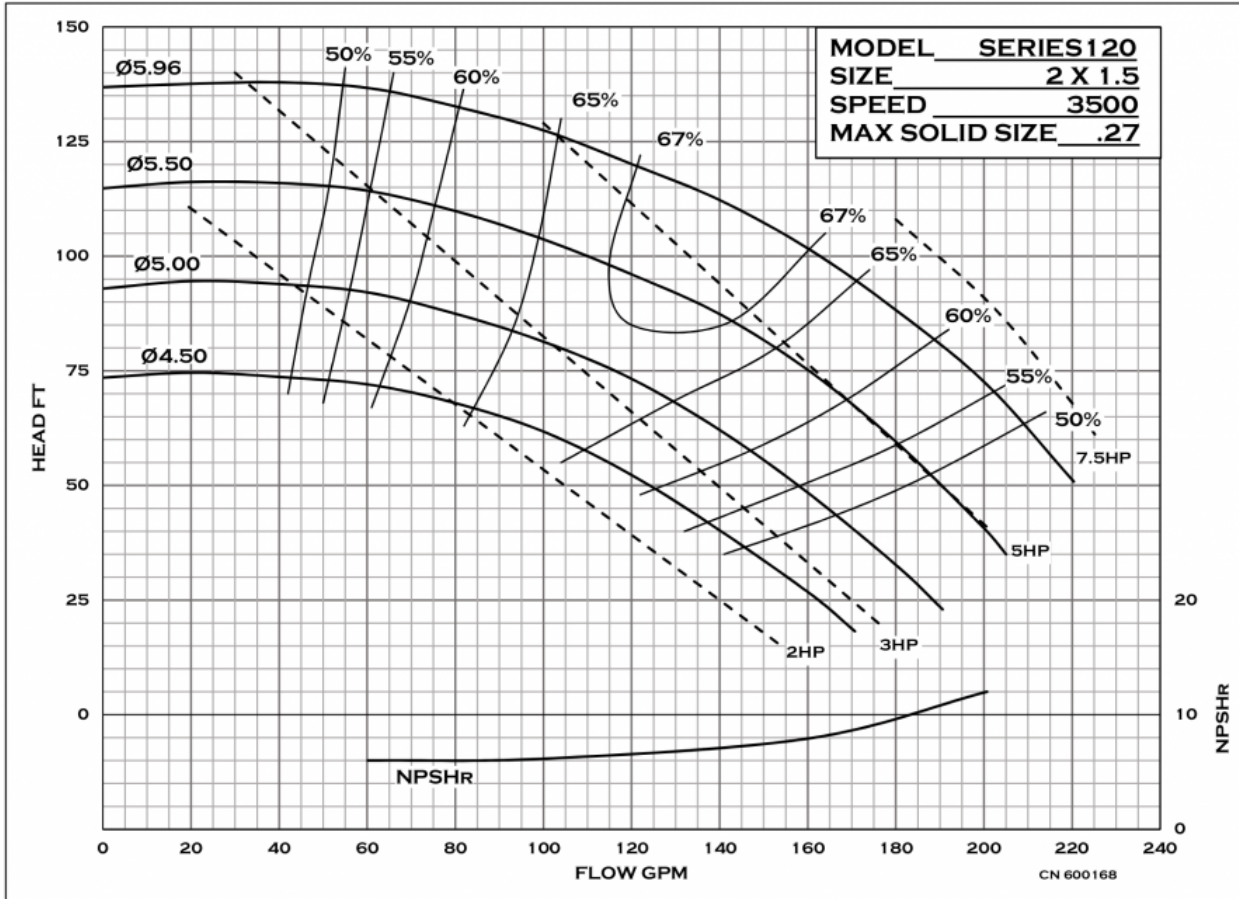
Application

- Agricultural
- Commercial
- Industrial
- OEM

SPECIFICATIONS:

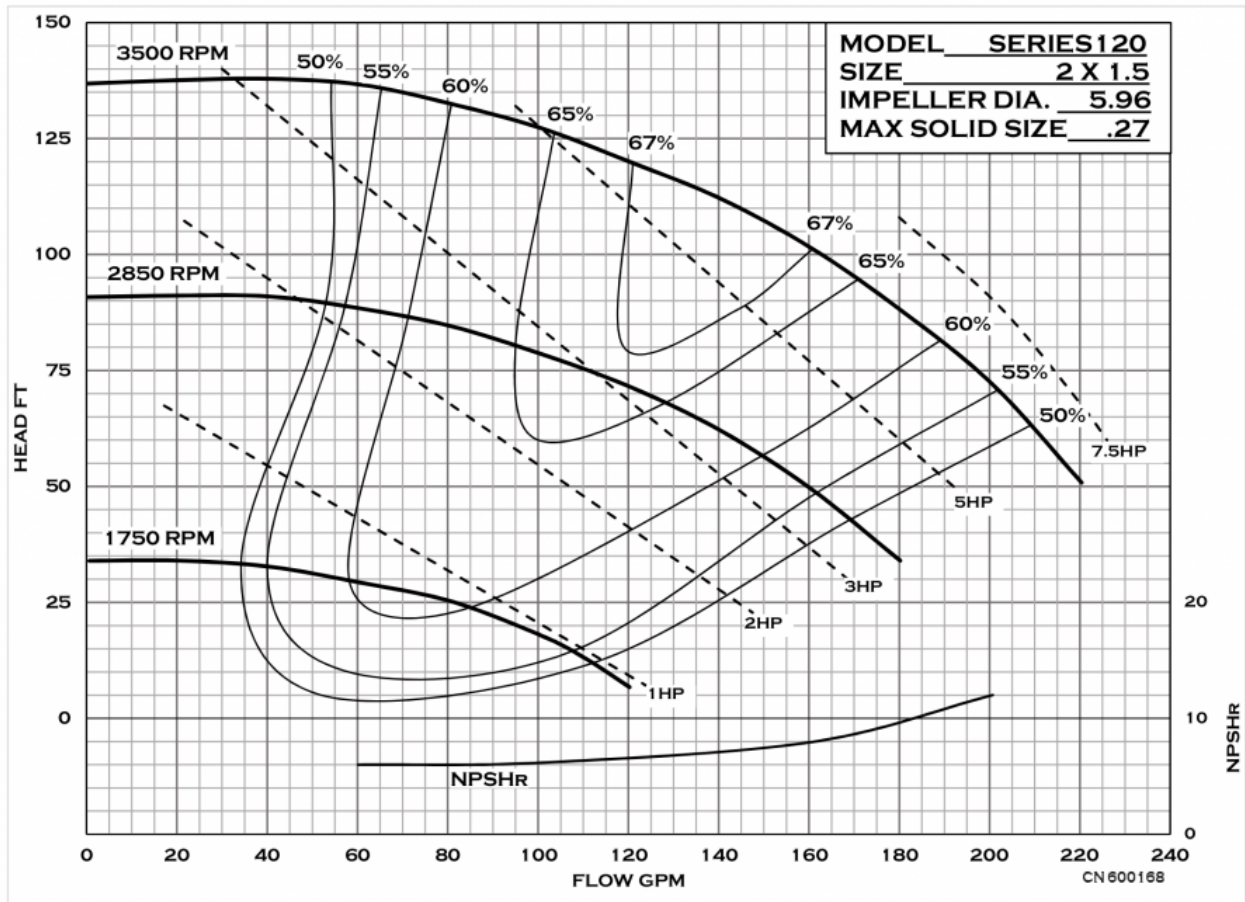
Suction And Discharge	2" x 1-1/2" NPT
Materials Of Construction	Cast iron
Flow	Up to 200 GPM
Head Feet	Up to 135'
Impeller	6" enclosed cast iron or bronze
Motor	Up to 7.5 HP
Drive Options	Close coupled 145JM, Close coupled 184JM, Close coupled 184TC, Hydraulic motor .45 cu. in., Hydraulic motor .58 cu. in., Hydraulic motor .73 cu. in., Pedestal, PumPAK® (without motor)
Seal	Special seal material combinations available (consult factory), Standard carbon / ceramic / Viton
Max Solid Size	.24"

SERIES 120



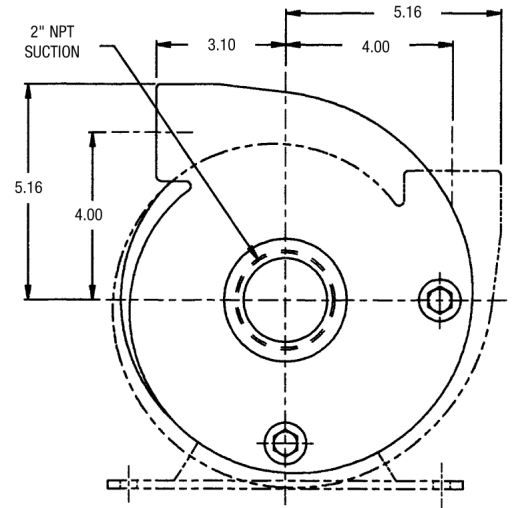
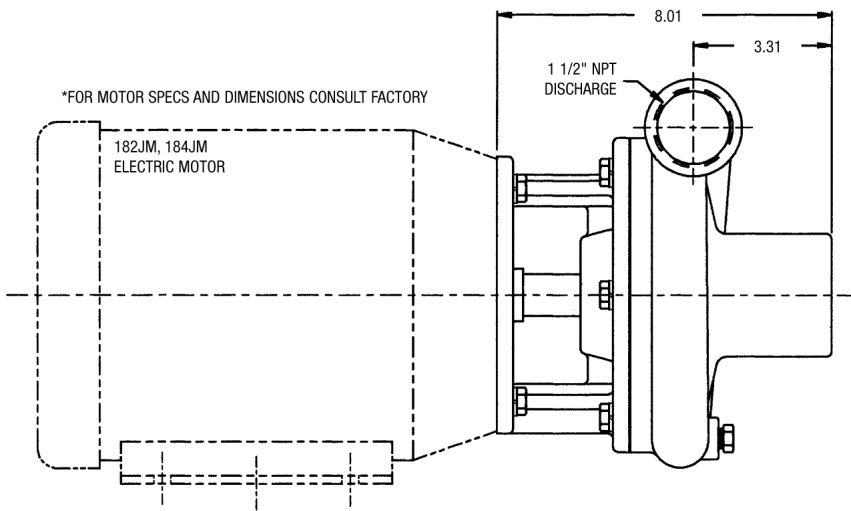
34800 BENNETT - FRASER, MI 48026-1686
 (586) 293-8240 - FAX (586) 293-8469
 (800) 563-8006 - www.mppumps.com

SERIES 120



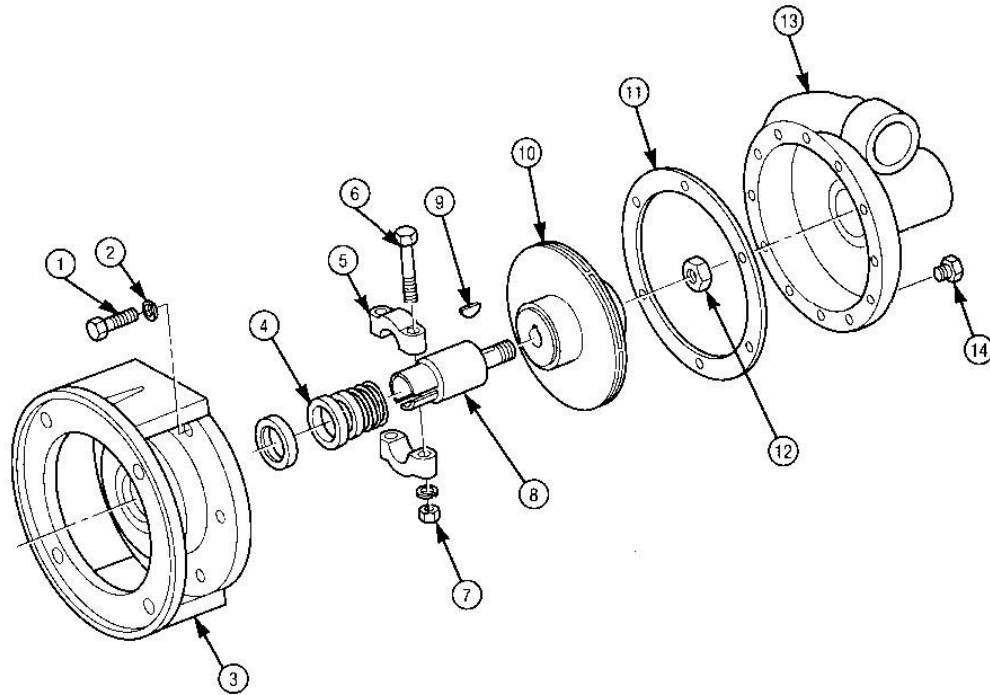
34800 BENNETT - FRASER, MI 48026-1686
 (586) 293-8240 - FAX (586) 293-8469
 (800) 563-8006 - www.mppumps.com

SERIES 120



MP PUMPS SERVICE PARTS LIST

• End Suction	• Pumpak	SERIES 120 2" x 1 1/2" Pipe Size
• Electric Motor Drive 182TC-184TC	• Mechanical Seal	



ITEM	PART NO.	DESCRIPTION	QTY.	ITEM	PART NO.	DESCRIPTION	QTY.
1	21291	Capscrew — Stainless Steel	6	9	21762	Wpodruff Key Stainless Steel	1
2	21266	Lockwasher — Stainless Steel	8	10	27027	Impeller — 6.0 DIA. — Cast Iron	1
3	22433	Adaptor — Cast Iron	1	26760	Impeller — 6.0 DIA. — Bronze N/S	1	
	22432	Adaptor — Bronze N/S	1	11	25662	Gasket	1
4	22361	Service Seal	1	12	22655	Hex Jam Nut Stainless Steel	1
5	22356	Clamp	2	13	26587	Housing — Ductile Iron	1
6	21269	Capscrew — Stainless Steel	2	26612	Housing — Bronze N/S	1	
7	21268	Hexnut — Stainless Steel	2	14	21585	Pipe Plug 1/8 N.P.T.	2
8	22679	Drive Sleeve — Stainless Steel	1	15	27666	Shim Steel — (28GA.) N/S	1

MP PUMPS, INC.
 TECUMSEH PRODUCTS COMPANY
 34800 BENNETT DRIVE • FRASER, MI 48026-1686
 (810) 293-8240 • FAX (810) 293-8469
 800 563 8006

FORM 3045

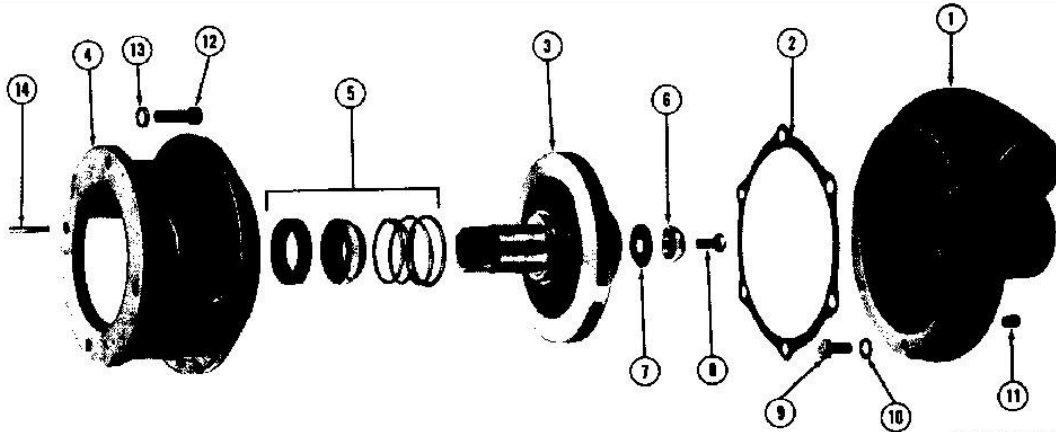
PRINTED IN U.S.A. (1-97)

MP PUMPS SERVICE PARTS LIST

- Straight Centrifugal
- Electric Motor Drive

- JM Type Motor
- Mechanical Seal

Series 120
2" x 1½" Pipe Size



Centrifugal Pumpak

IMPORTANT: When ordering parts, specify **MODEL** and **SERIAL NUMBER** shown on nameplate.
N/S means "not shown" in exploded view of parts.

ITEM	PART NO.	DESCRIPTION	QUANTITY REQUIRED PER MODEL		
			METAL	CAST IRON	BRONZE
			SERIES 120	26593	26613
			MODEL NO.	26595	26982

1	26647	Housing Assy. - Cast Iron - Inc: Housing - Cast Iron		1	
9	25663	Capscrew - S.S. Adaptor to Housing 3/8"		6	
10	21266	Lockwasher S.S. 3/8" (Note: Drain plug not included)		6	
2	25662	Gasket, Housing to Adaptor .032		1	
11	21255	Drain Plug S.S. 1/8" NPT		2	
8	26589	Seelbolt S.S. 3/8" - 16 x 1"		1	
1	26966	Housing Assy. - Bronze - Inc: Housing - Bronze			1
9	25663	Capscrew - S.S. Adaptor to Housing 3/8"			6
10	21266	Lockwasher S.S. 3/8" (Note: Drain plug not included)			6
2	25662	Gasket, Housing to Adaptor .032			1
11	21185	Drain Plug - Bronze			2
8	26589	Seelbolt S.S. 3/8" - 16 x 1"			1
6	26590	Sealwasher - Impeller		1	1
7	26591	Gasket - Impeller sealing Teflon		1	1
3	26594	Impeller - Enclosed - Bronze 5.0" (For Model 26595 and 26982)		1	
3	26585	Impeller - Enclosed - Bronze 5.9" (For Model 26593 and 26613)		1	1
5	22361	Seal Assembly 1-1/2"		1	1
4	26583	Adaptor - Cast Iron		1	
4	26611	Adaptor - Bronze			1
12	21291	Capscrew S.S. 3/8" - 16 x 1-1/8"		4	4
13	21266	Lockwasher S.S. 3/8"		4	4
14	26588	Square Key - Drive Shaft .188		1	1
N/S	26592	Slinger - Impeller Shaft		1	1

N/S - Not Shown

MP PUMPS, INC.
TECUMSEH PRODUCTS COMPANY
34800 BENNETT DRIVE • FRASER, MI 48026-1694
(313) 293-8240 TLX 358-238 FAX (313) 293-8469

FORM 7066-B

PRINTED IN U.S.A

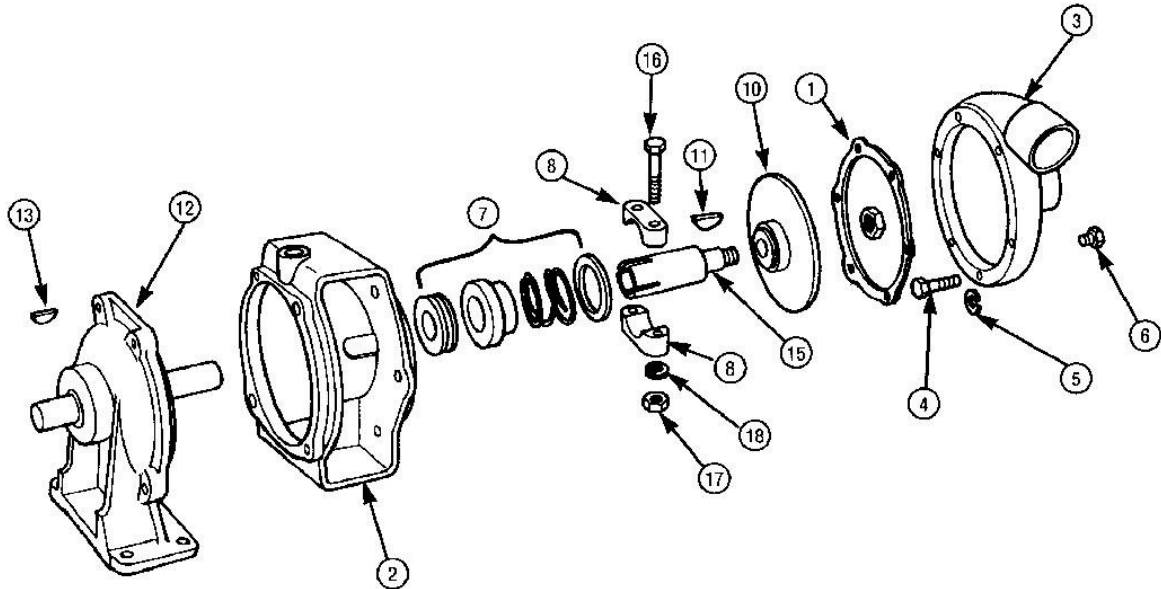


34800 BENNETT - FRASER, MI 48026-1686
(586) 293-8240 - FAX (586) 293-8469
(800) 563-8006 - www.mppumps.com

MP PUMPS SERVICE PARTS LIST

- Pedestal Mount Centrifugal
- Belt or Direct Drive
- Mechanical Seal

SERIES 120 2" x 1 1/2" Pipe Size



IMPORTANT: When ordering parts, specify model and serial number shown on nameplate.

ITEM	PART NO.	DESCRIPTION	QUANTITY REQUIRED PER MODEL		
			ROTATION	ALL MODELS LISTED ARE RIGHT HAND	
			PIPE SIZE	2" x 1-1/2"	2" x 1-1/2"
			METAL	CAST IRON	BRONZE

HOUSING

3	26647	Housing Assembly — Cast Iron Included: Housing — Cast Iron	1	
4	25663	Capscrew — S.S. 3/8" — 16" x 3/4"	6	
5	21266	Lockwasher — S.S. 3/8" x 1/8"	6	
6	21255	Pipe Plug — S.S. 1/8"	2	
1	25662	Gasket, Housing	1	
3	26966	Housing Assembly — Bronze Included: Housing — Bronze		1
4	25663	Capscrew		6
5	21266	Lockwasher — S.S. — 3/8" x 1/8"		6
6	21185	Pipe Plug		2
1	25662	Gasket, Housing		1



MP PUMPS, INC.
 TECUMSEH PRODUCTS COMPANY
 34800 BENNETT DRIVE • FRASER, MI 48026-1686
 (810) 293-8240 • FAX (810) 293-8469

FORM 7085-B

PRINTED IN U.S.A. (9-95)

ITEM	PART NO.	DESCRIPTION	QUANTITY REQUIRED PER MODEL		
			ROTATION	ALL MODELS LISTED ARE RIGHT HAND	
			PIPE SIZE	2" x 1-1/2"	2" x 1-1/2"
			METAL	CAST IRON	BRONZE

IMPELLER

10	26760	Impeller — 5.9" — Bronze	1	1
10	26762	Impeller — 5.0" — Bronze	1	1
10	27027	Impeller — 5.9" — Cast Iron	1	1
10	27501	Impeller — 5.25" — Cast Iron	1	1
10	27212	Impeller — 5.0" — Cast Iron	1	1
15	22700	Drive Sleeve — S.S. — 1"	1	1
9	22655	Locknut — S.S. — 5/8"	1	1
11	21762	Woodruff Key #8	1	1

CLAMP

8	23039	Impeller Clamp Assembly — Inc.	1	1
8		Clamp	2	2
18	21266	Lockwasher — S.S. — 3/8"	2	2
16	21269	Capscrew — S.S. — 3/8"	2	2
17	21268	Hex Nut — S.S. — 3/8"	2	2

SEAL

7	22361	Seal Assembly — Self Lubricated	1	1
---	-------	---------------------------------	---	---

ADAPTOR

2	22348	Adaptor — Cast Iron	1	1
2	22347	Adaptor — Bronze		

PEDESTAL ASSEMBLY

12	26164	Pedestal Assembly — Inc.		
N/S	26161	Pedestal Body — Cast Iron	1	1
13,	22425	Woodruff Key #15	1	1
N/S	26162	Shaft	1	1
N/S	22035	Snap Ring	1	1
N/S	25474	Ball Bearing	2	2
N/S	21259	Capscrew — S.S. — 1-3/8" x 3/8"	4	4
N/S	21266	Lockwasher — S.S. — 3/8"	4	4

N/S — Not Shown



MP PUMPS, INC.
TECUMSEH PRODUCTS COMPANY
 34800 BENNETT DRIVE • FRASER, MI 48026-1686
 (810) 293-8240 • FAX (810) 293-8469

FORM 7085-B

PRINTED IN U.S.A. (9-95)



34800 BENNETT - FRASER, MI 48026-1686
 (586) 293-8240 - FAX (586) 293-8469
 (800) 563-8006 - www.mppumps.com