

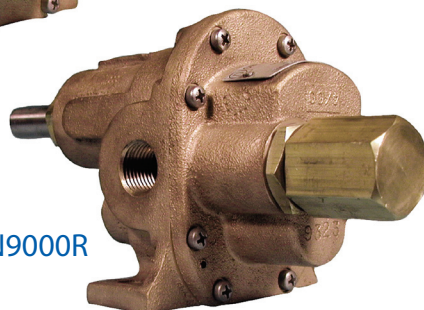
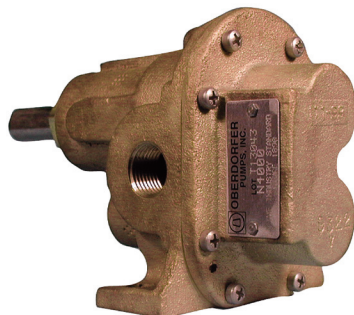


OBERDORFER PUMPS

by Gardner Denver

Bronze Pedestal Rotary Gear Pumps N9000 Series

Model N9000 1" NPT Ports



Model N9000R

FEATURES:

- Bronze Corrosion Resistant Castings
- Special Cast Bronze Gears
- Stainless Steel Shafts & Fasteners
- Formed Ring Seal Packing (Lip & Mechanical Seals are available)
- Heavy Duty Carbon Bearings (Self Lubricating)
- Positive Displacement Flow

DRIVE:

Either direct drive with flexible coupling or pulley drive can be used. Make sure both flexible coupling halves are properly aligned. When using a pulley, do not overtighten the belt. Also, to absorb belt side thrust at higher pressures and larger size pumps, an external ball bearing support is recommended -- consult factory.

LIQUIDS AND TEMPERATURE:

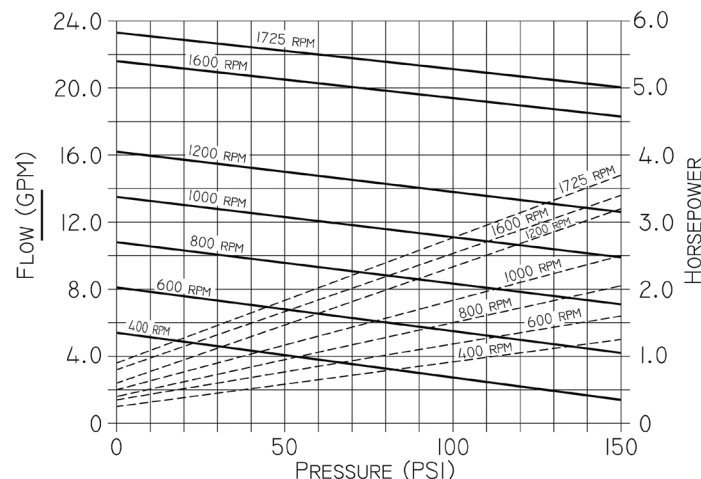
Service life will be increased substantially if the liquid pumped is clean and has some degree of lubricity. These positive displacement pumps have tight tolerances. Fine abrasives like sand, silt, or powders in suspension will accelerate pump wear and reduce throughput.

Liquids compatible with bronze and stainless steel can be pumped providing proper seal has been specified, check with Oberdorfer factory. When possible, flush the pump after each usage.

Temperature extremes are detrimental to service life and should be avoided. Basic metals of construction allow a temperature range of -40° to 400° F Some lip seal elastomers have a limit of 212° F (see engineering data or

PERFORMANCE:

Water, 70° F



* For pressures over 100 psi, the above selections are suitable for pumping fluids with lubricity (eq. oils, polymers). Service life will decrease for fluids without lubricity (eq. water, solvents).

check with Oberdorfer factory). Allowing a liquid to freeze in the pump can cause damage.

SUCTION LIFT:

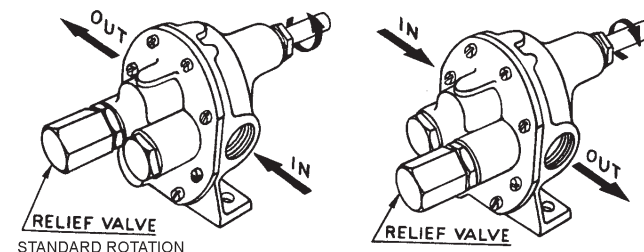
Close tolerances and the positive pumping action make the rotary gear pump capable of lifting water on the suction side as high as 20 feet. Though gear pumps are self priming, a foot valve is recommended. If possible, wet the gears with liquid to be pumped for the first dry start. Liquid retained in the system and gear chambers serves to "wet" the pump on subsequent starts.

BY-PASS AND ROTATION:

The pump by-pass valve is not intended to be a metering or flow control device. Its main purpose is to function as a pressure relief when the desired set point is exceeded, overheating can occur within 5 - 10 minutes if the discharge line is completely shut off for extended periods.

Reversing rotation reverses the "IN" and "OUT" ports and the location of the by-pass ports have to be reversed.

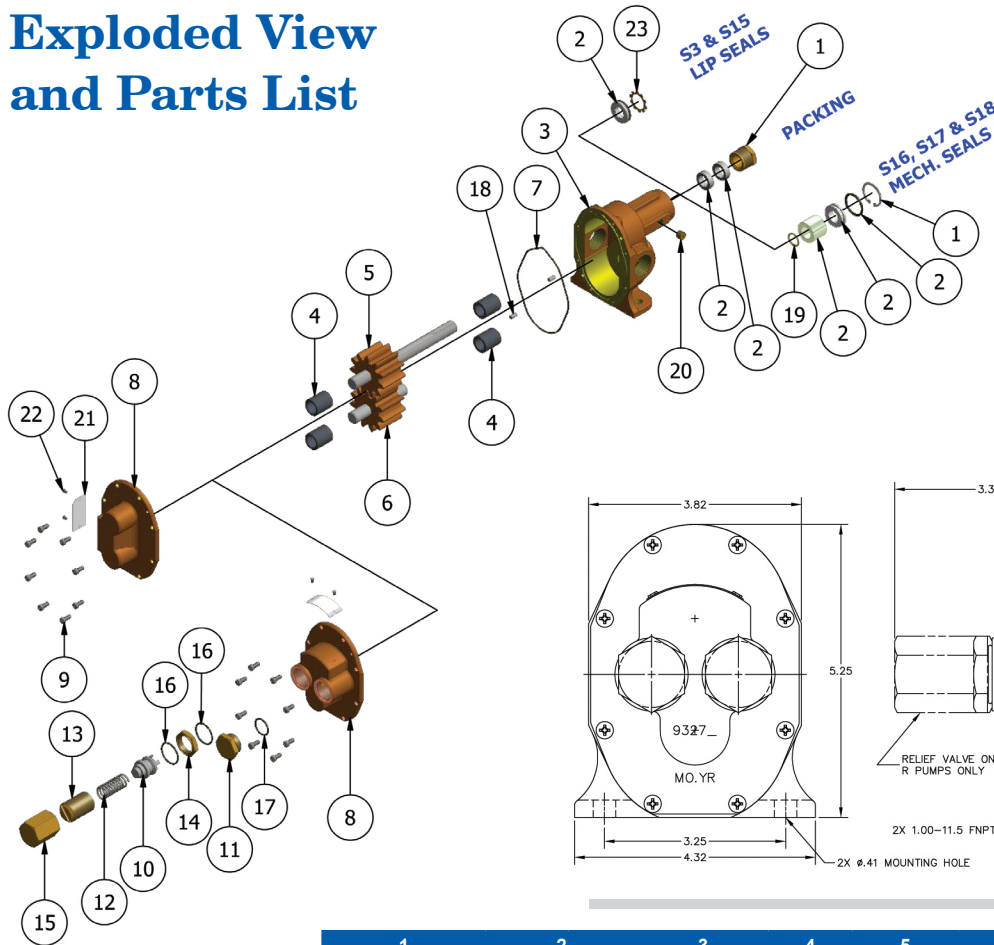
The by-pass valve is factory set at 50 psi. To increase the setpoint, turn the by-pass valve adjusting screw in a clockwise direction.



Bronze Pedestal Rotary Gear Pumps

N9000 Series

Exploded View and Parts List

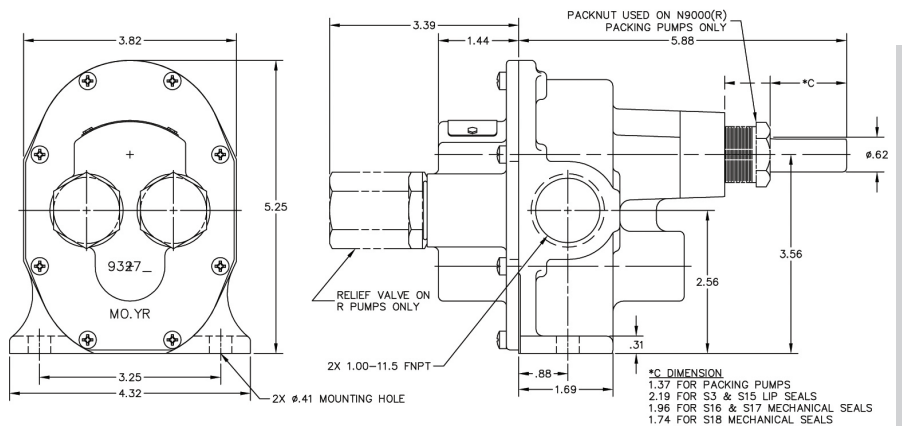


Item 8 and items 10-17 for the "R" versions only.

Item 23 is only used on N9000S15 pumps.

Item 20 is only used on N9000S18 pumps.

Dimensions



		1	2	3	4	5	6	7	8	9	10	
		Packnut or Retaining Ring	Packing	Seal	Body	Bearing	Drive Gear Assy	Idle Gear Assy	O-Ring	Cover	Screw	Ball
Model	Seal Arrangement	Qty. 1	Qty. 2	Qty. 1	Qty. 1	Qty. 4	Qty. 1	Qty. 1	Qty. 1	Qty. 1	Qty. 8	Qty. 1
N9000	Packing	1762	5479	NA	9325NF1N	5091	33019	33020	9797-045	9326NN5N	5385	NA
N9000S3	NBR Lip	NA	NA	5463	9325NF2N	5091	33019	33020	9797-045	9326NN5N	5385	NA
N9000S15	FKM Lip	NA	NA	9997	9325NF2N	5091	33019	33020	9797-045	9326NN5N	5385	NA
N9000S16	NBR Bellows Mech.	5374	NA	32202	9375NF9N	5091	33042	33020	9797-045	9326NN5N	5385	NA
N9000S17	FKM Bellows Mech.	5374	NA	32235	9375NF9N	5091	33042	33020	9797-045	9326NN5N	5385	NA
N9000S18	PTFE Wedge Mech.	5374	NA	32923	9375NF6N	5091	33042	33020	9355-045	9326NN5N	5385	NA
Relief Valve Versions: N9000R, N9000RS3, N9000RS15, N9000RS16, N9000RS17, N9000RS18										9327NN5B	NA	3292

	11	12	13	14	15	16	17	18	19	20	21	22	23	
	Plug Nut	Spring	Adj. Screw	Locknut	Bypass Nut	O-Ring Locknut	O-Ring Plug Nut	Dowel Pin	Tag	Tag Screw	Pipe Plug	Retaining Ring	Lock Ring	Repair Kit
Model	Qty. 1	Qty. 1	Qty. 1	Qty. 1	Qty. 1	Qty. 2	Qty. 1	Qty. 2	Qty. 1	Qty. 2	Qty. 1	Qty. 1	Qty. 1	
N9000	NA	NA	NA	NA	NA	NA	NA	8885	9344	9345	NA	NA	NA	10641
N9000S3	NA	NA	NA	NA	NA	NA	NA	8885	9344	9345	NA	NA	NA	11379
N9000S15	NA	NA	NA	NA	NA	NA	NA	8885	9344	9345	NA	NA	3033	11195
N9000S16	NA	NA	NA	NA	NA	NA	NA	8885	9344	9345	NA	5382	NA	11970
N9000S17	NA	NA	NA	NA	NA	NA	NA	8885	9344	9345	NA	5382	NA	12103
N9000S18	NA	NA	NA	NA	NA	NA	NA	8885	9344	9345	6052	5382	NA	12225
Relief Valve Versions	5278R	5277	5275	1642D	5276	9797-022	9797-019	NA	NA	NA	NA	NA	NA	NA

All Repair Kits contain items 2, 4, 5, 6 and 7 NBR = Acrylonitrile-Butadiene PTFE = Polytetrafluorethylene FKM = Fluoroelastomer



OBARDORFER PUMPS

by Gardner Denver

5900 Firestone Drive, Syracuse, NY 13206

Phone: (800) 448-1668; (315) 437-0361 • Fax: (315) 463-9561

Visit www.oberdorferpumps.com to find in-depth descriptions of the world's leading high-quality, dependable pumps.

Due to ongoing product improvements, data shown here is subject to change without notice. Contact Oberdorfer Pumps for latest specifications.

N9000series.082014