



# MARCH PUMPS

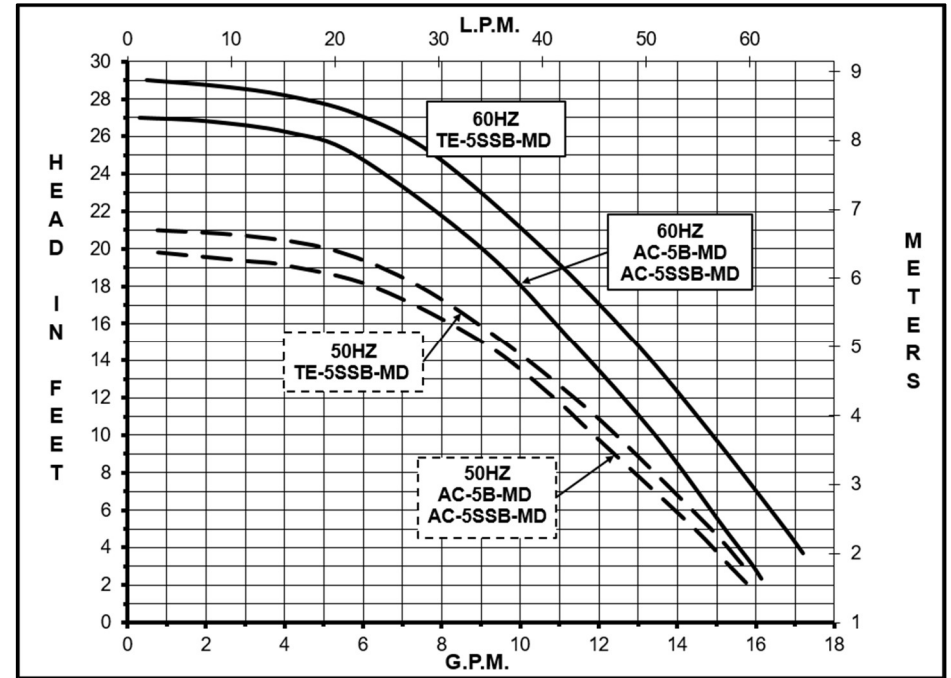
1819 PICKWICK AVE., GLENVIEW, IL 60026-1306, U.S.A  
 PHONE: (847) 729-5300 - FAX: (847) 729-7062  
 WWW.MARCHPUMP.COM

## BEER PUMPS 5 Series

**DESCRIPTION:** The March beer pump is a non-self-priming magnetic drive unit built specifically to handle hot wort and water. The unit requires liquid being pumped to lubricate the internal parts. If the pump is run dry for a period of time the impeller and shaft may become damaged. To regulate the flow use a valve on the discharge/outlet.

**ELECTRICAL:** AC-5B-MD and AC-5SSB-MD have an air cooled 1 phase motor that is either 115 Volt or 230 Volt, 50/60 Hz and a 3 ft. cord. TE-5SSB-MD has a dual 115/230 Volt, 50/60 Hz, 1 phase TEFC motor with a conduit box.

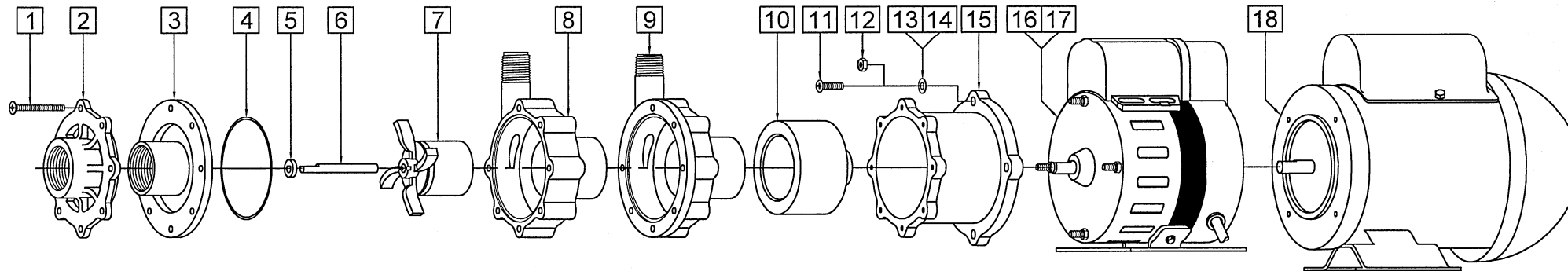
**LIMITED WARRANTY:** March pumps are guaranteed only against defects in workmanship or materials for a period of one year from date of manufacture pumping water. Register online at [www.marchpump.com/warranty-registration](http://www.marchpump.com/warranty-registration)



SPECIFICATIONS	AC-5B-MD										AC-5SSB-MD										TE-5SSB-MD																		
	Product #		115 V		0150-0202-0100		230 V		0150-0202-0200		0150-0208-0100		0150-0208-0200		0150-0214-0700		Inlet - Outlet		1" Female Pipe Thread - 1/2" Male Pipe Thread		1" Female Pipe Thread - 1/2" Male Pipe Thread		1" Female Pipe Thread - 1/2" Male Pipe Thread		Max Internal Pressure		50 psi / 3.4 bar		200 psi / 13 bar		200 psi / 13 bar		Max Liquid Temperature		250 °F / 121 °C		250 °F / 121 °C		250 °F / 121 °C
MODEL	Max Flow		Max Head			ELECTRICAL					Max Flow		Max Head			ELECTRICAL					Height		Width		Length		Packed Weight												
	gpm	lpm	ft	psi	m	Ph	V	A	Hp	kW	Rpm	gpm	lpm	ft	psi	m	Ph	V	A	Hp	kW	Rpm	Inches	cm	Inches	cm	Inches	cm	lbs	kg									
AC-5B-MD	17	64.4	27	11.7	8.23	1	115	2.1	1/8	0.092	3450	15.85	60	19.68	8.53	6	1	115	2.1	0.126	0.093	2850	6.19	15.7	4.52	11.4	9.27	23.5	9.5	4.3									
							230	1										230	1										9.5	4.3									
AC-5SSB-MD	17	64.4	27	11.7	8.23	1	115	2.1	1/8	0.092	3450	15.85	60	19.68	8.53	6	1	115	2.1	0.126	0.093	2850	6.19	15.7	4.52	11.4	9.27	23.5	12.5	5.6									
							230	1										230	1										12.5	5.6									
TE-5SSB-MD	18	68.1	29	12.5	8.84	1	115	2.6	0.2	0.147	3450	15.98	60.5	20.66	8.96	6.3	1	110	2.6	0.162	0.119	2850	6.89	17.5	7.26	18.4	12.61	32.0	21.95	9.95									
							230	1.3										220	1.3										21.95	9.95									

All specifications & data are based on pumping water & are intended as a guideline only. Specifications may vary with different motors.

## PARTS LIST



#	DESCRIPTION	MATERIAL	SIZE (Inches)	QTY.	AC-5B-MD	AC-5SSB-MD	TE-5SSB-MD
1	Screw	Stainless	#8-32 x 1-3/4 Lg.	7		0150-0021-1000	
2	Cover	Polysulfone		1	0150-0189-1000		
3	Cover	Stainless		1		0150-0111-0010	0150-0111-0010
4	"O" Ring	Buna-N		1		0750-0981-1000	
5	Thrust Washer	Ceramic		1		0130-0028-1000	
6	Shaft	Stainless		1		0939-0003-1000	
7	Impeller w/Shell & Carbon Bushing	Polysulfone/Stainless		1		0150-0173-0300	
8	Rear Housing	Polysulfone/Ceramic	w/Thrust Washer	1	0150-0203-0100		
9	Rear Housing	Stainless		1		0150-0110-0010	0150-0110-0010
10	Drive Magnet	Plastic		1	0150-0081-0100	0150-0081-0100	0150-0176-0300
11	Screw	Stainless	#10-32 x 3/4 Lg.	4			0150-0050-1000
12	Hex Nut	Stainless	#10-32	4	0625-0024-1000	0625-0024-1000	
13	Washer	Stainless	#10	4			0150-0051-1000
14	Lock Washer	Stainless	#10 Internal Tooth	4	0802-0006-1000	0802-0006-1000	
15	Motor Bracket	Plastic		1	0150-0070-0100	0150-0126-0100	0150-0126-0100
16	Motor 115 V, 50/60 Hz w/base	3 foot cord		1	0150-0027-1000	0150-0027-1000	
17	Motor 230 V, 50/60 Hz w/base	3 foot cord		1	0150-0040-1000	0150-0040-1000	
18	Motor, (WEG) TEFC, 115/230 V, 50/60 Hz			1			0150-0213-1000

NOTE: Contact Factory for other materials and/or parts not listed.

0750-0976-1100 R2