

LevelPro® – LPS50 Series Digital Pressure Switch

- ✓ Small Compact Design
- ✓ Bright LED Display
- ✓ M12 Connection
- ✓ Suitable for Liquids or Gases



Continuous Pressure Insight

The **LevelPro® LPS Series** Pressure Switches uses a monocrystalline silicon diaphragm for precise pressure measurement, with built-in circuits converting signals to standard industrial outputs and digital displays.



Specifications

Supply Voltage	12~30VDC
No-Load Current Consumption	Max. 30mA, 24VDC Power Supply
Output	PNP / NPN NO / NC Programmable
Switch Load	<200mA
Response Time	<10ms
Switching Accuracy	±0.5% of range
Wiring Protection	Inverted Phase, Overload
Accuracy	±0.5% of Range
Stability	±0.3% of Range
Temperature Range	-4°F ~ 185°F -20°C ~ 85°C
Diaphragm Process Connection	SS316 1/4" NPT
Body Material	PBT
Protection Class	IP67

**Smart Pressure Control.
Simplified !**

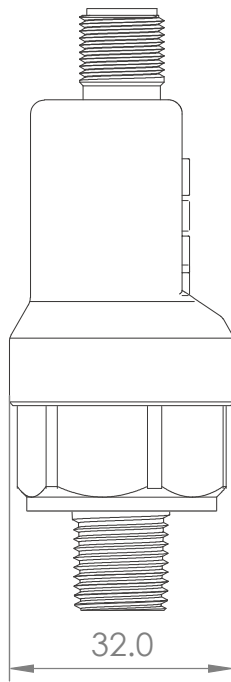
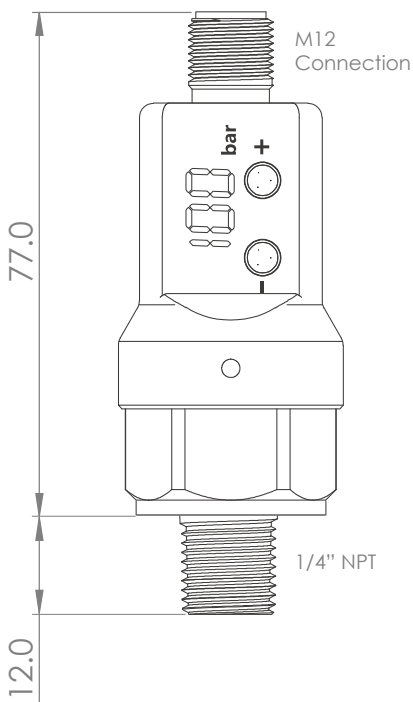
LevelPro® – LPS50 Series

Digital Pressure Switch

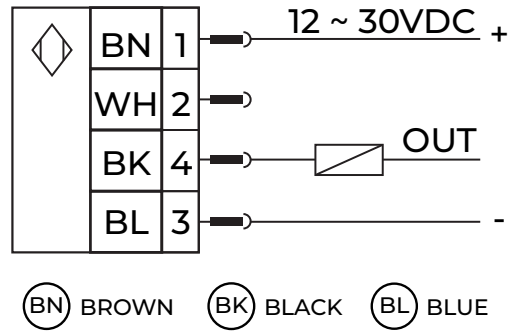
Pressure Range

Pressure Range	Bar	-1	1	2	5	10	16	25	60	100
	Psi	-15	15	29	73	145	232	363	870	1450
Max. Overload Pressure		5x				3x			2x	
Min. Damage Pressure		6x				4x			3x	

Dimensions (mm)



Wiring



Model Selection

LPS – Digital Pressure Switch

Part Number	Material	Output	Connection
LPS50-PB-M-X	PBT 316SS	PNP NPN Pulse — NC/NO	1/4" NPT

X = Pressure Range

N01 ▶ -14.5 - 0.0 Psi (-1 - 0 Bar)	010 ▶ 0.0 - 145 Psi (0 - 10 Bar)
C01 ▶ -14.5 - 14.5 Psi (-1 - 1 Bar)	016 ▶ 0.0 - 232 Psi (0 - 16 Bar)
001 ▶ 0.0 - 14.5 Psi (0 - 1 Bar)	025 ▶ 0.0 - 362.5 Psi (0 - 25 Bar)
002 ▶ 0.0 - 29 Psi (0 - 2 Bar)	060 ▶ 0.0 - 870 Psi (0 - 60 Bar)
005 ▶ 0.0 - 72.5 Psi (0 - 5 Bar)	100 ▶ 0.0 - 1450 Psi (0 - 100 Bar)

