

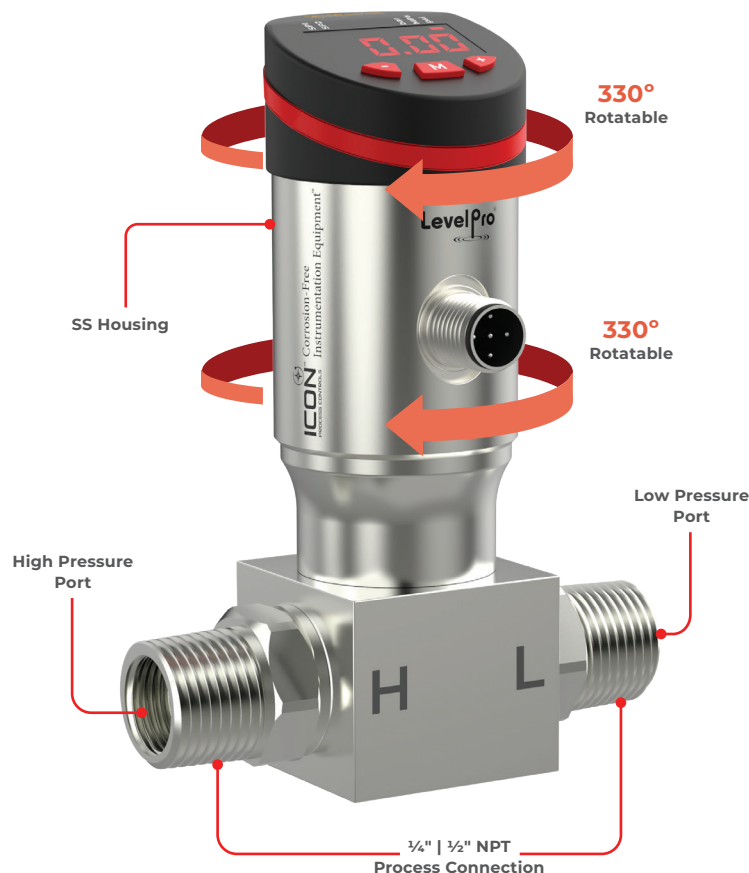
LevelPro® – DPS50i Series

Digital Differential Pressure Sensor

Engineered for Accuracy. Designed for Ease.

The LevelPro® DPS50i Differential Pressure Sensor uses a diffused silicon diaphragm for precise differential pressure measurement. The rugged metal housing and bright LED display suit demanding environments. A three-button interface with a user-friendly menu simplifies operation. Dual connection options and a 330° rotatable display ensure flexible installation and optimal viewing from any angle.

IO-Link



Turn Up the Pressure Digitally, Precisely, Effortlessly.

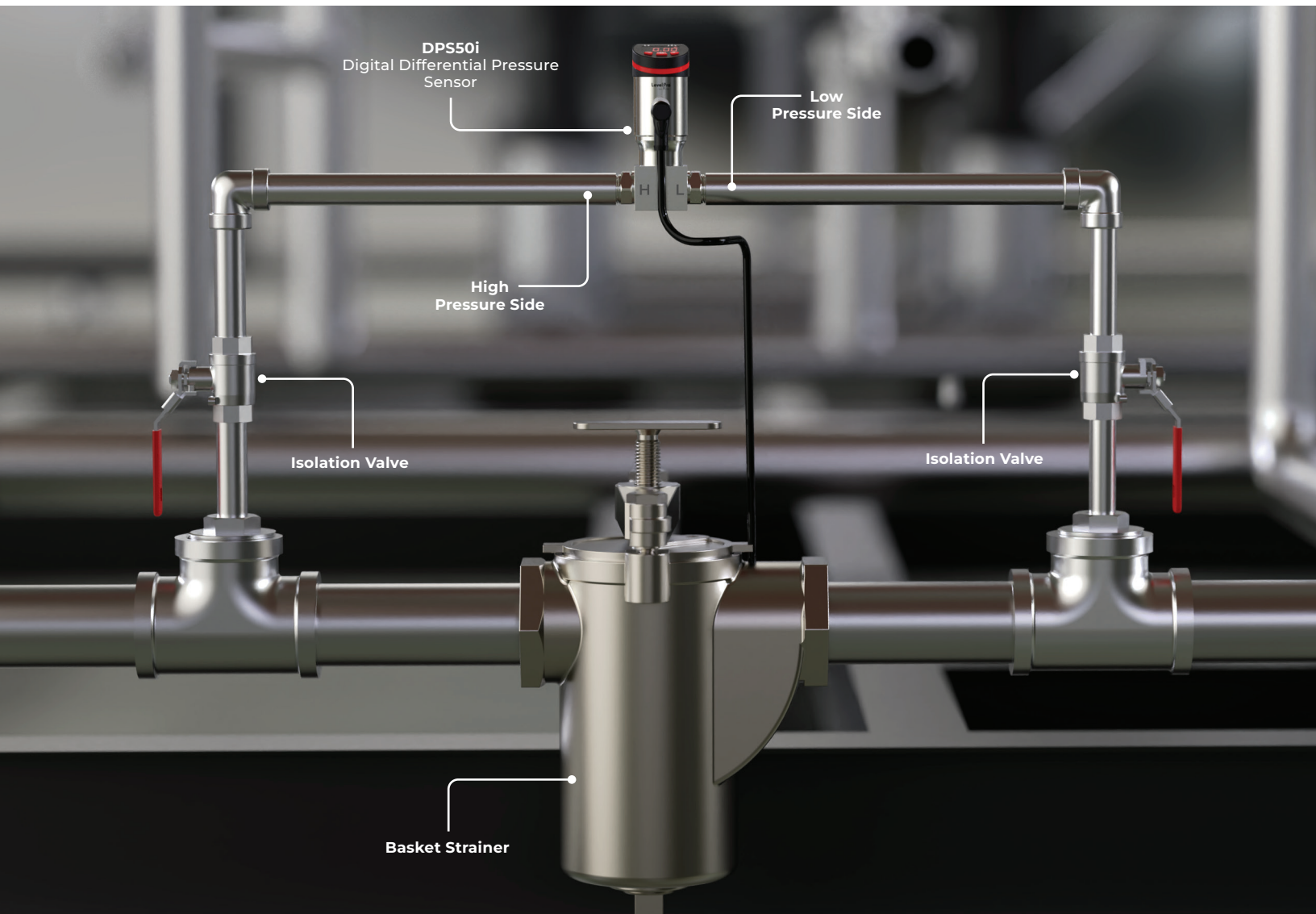
- ✓ Perfect for Strainers | Filters
- ✓ Switching Output
- ✓ Bright 4 Digit LED Display
- ✓ Differential Pressure Measurement
- ✓ IO-Link Capability
- ✓ 4-20mA Analog Output
- ✓ RS485 Communication

LevelPro® – DPS50i Series

Digital Differential Pressure Sensor

Specifications

Supply Voltage	12~30VDC	Linearity	≤±0.5% of Range
No-Load Current Consumption	Max. 40mA, 24VDC Power Supply	Communication Output	IO-Link RS-485 (Optional)
Switch Output Type	PNP / NPN NO / NC Programmable	Display	4-Digit 12mm high LED
Switching Load	<200mA 24VDC	Display Range	-1999 ~ 9999
Response Time	<0.01 ~2s (Factory Default)	Ambient Temperature	-4 ~ 176°F -20 ~ 80°C
Wiring Protection	Inverted Phase, Overload, Short Circuit Protection	Storage Temperature	-22 ~ 176°F -30 ~ 80°C
Accuracy	≤±0.5% of Range	Medium Temperature	-4 ~ 185°F -20 ~ 85°C
Switching Accuracy	≤±0.5% of Range	Stability (Annual Drift)	≤±0.3% of Range
Analog Output Accuracy	≤±0.5% of Range	Maximum Static Pressure	<10MPa <1450psi
Analog Output	4-20mA	Housing & Wetted Part	316SS
Load RA	≤500Ω	Diaphragm Material	Diffused Silicon Diaphragm
		Protection Class	IP67

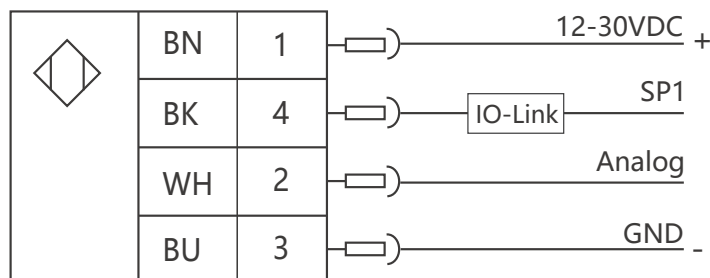


LevelPro® – DPS50i Series

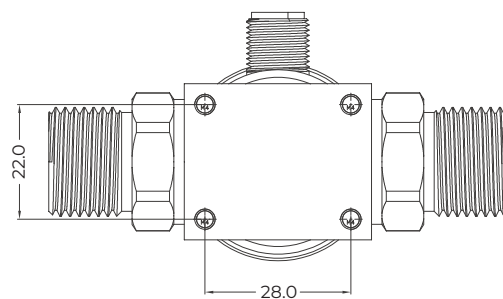
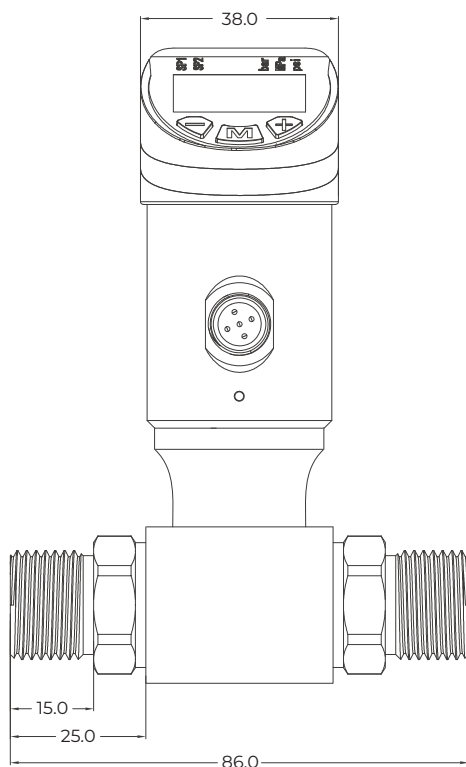
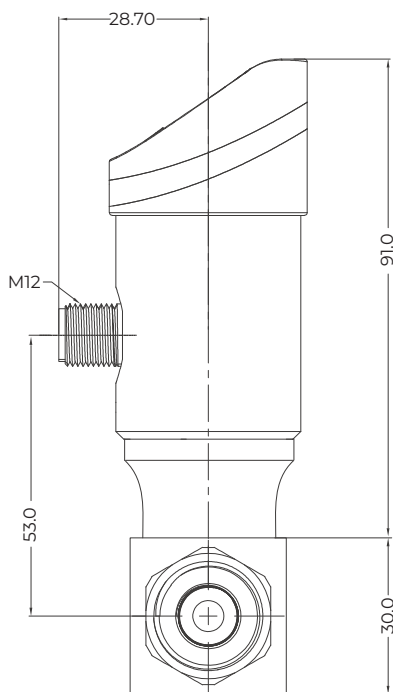
Digital Differential Pressure Sensor

Wiring Diagram

4-20mA IO-Link One Switch (SP1)		
Color	Pin	Description
Brown	1	+12~30VDC
Black	4	SP1 Switch PNP (Default) SP1 Switch NPN IO-Link
White	2	4-20mA
Blue	3	-VDC



Dimensions (mm)



Model Selection

DPS50i – Digital Differential Pressure Sensor

Part Number	Material	Output	Switch Output
DPS50i-SS-A-X-T	PBT 316SS	4-20mA IO-Link 1 Switch	NPN PNP — NC/NO Programmable
DPS50i-SS-R-X-T	PBT 316SS	RS485	-

X = Pressure Range

- N01 ▶ 0.0 - 1.45 psi (0 - 0.1 bar)
- C01 ▶ 0.0 - 2.90 psi (0 - 0.2 bar)
- E01 ▶ 0.0 - 7.25 psi (0 - 0.5 bar)
- 001 ▶ 0.0 - 14.5 psi (0 - 1 bar)
- 005 ▶ 0.0 - 72.5 psi (0 - 5 Bar)

- 006 ▶ 0.0 - 87.0 psi (0 - 6 bar)
- 010 ▶ 0.0 - 145 psi (0 - 10 bar)
- 016 ▶ 0.0 - 232 psi (0 - 16 bar)
- 025 ▶ 0.0 - 362.6 psi (0 - 25 bar)

T = Process Thread Connection

- 04M ▶ ¼" MNPT
- 04F ▶ ¼" FNPT
- 05M ▶ ½" MNPT
- 05F ▶ ½" FNPT