



ILX

1" x 1" Centrifugal Transportation Circulator

The ILX is designed for inline liquid booster applications of water or coolant. Cost effective design with splash / weather proof 12 VDC brushed motor.

SPECIFICATIONS:

| | |
|---------------------------|---|
| Suction And Discharge | 1" x 1" hose, Optional nozzle inside diameter tapped for 1/2" female NPT connections |
| Materials Of Construction | Aluminum |
| Flow | Up to 12 GPM |
| Head Feet | Up to 17' |
| Impeller | 2.5" semi-open nickel steel |
| Drive Options | 12V DC brushed electric motor |
| Seal | Carbon / Ceramic / Viton |
| Base | Stamped steel with (4) vibration isolating grommets |
| Temperature | Operation in ambient temperatures up to 200°F, Use with fluids to 220°F and sustained fluid temps up to 210°F |

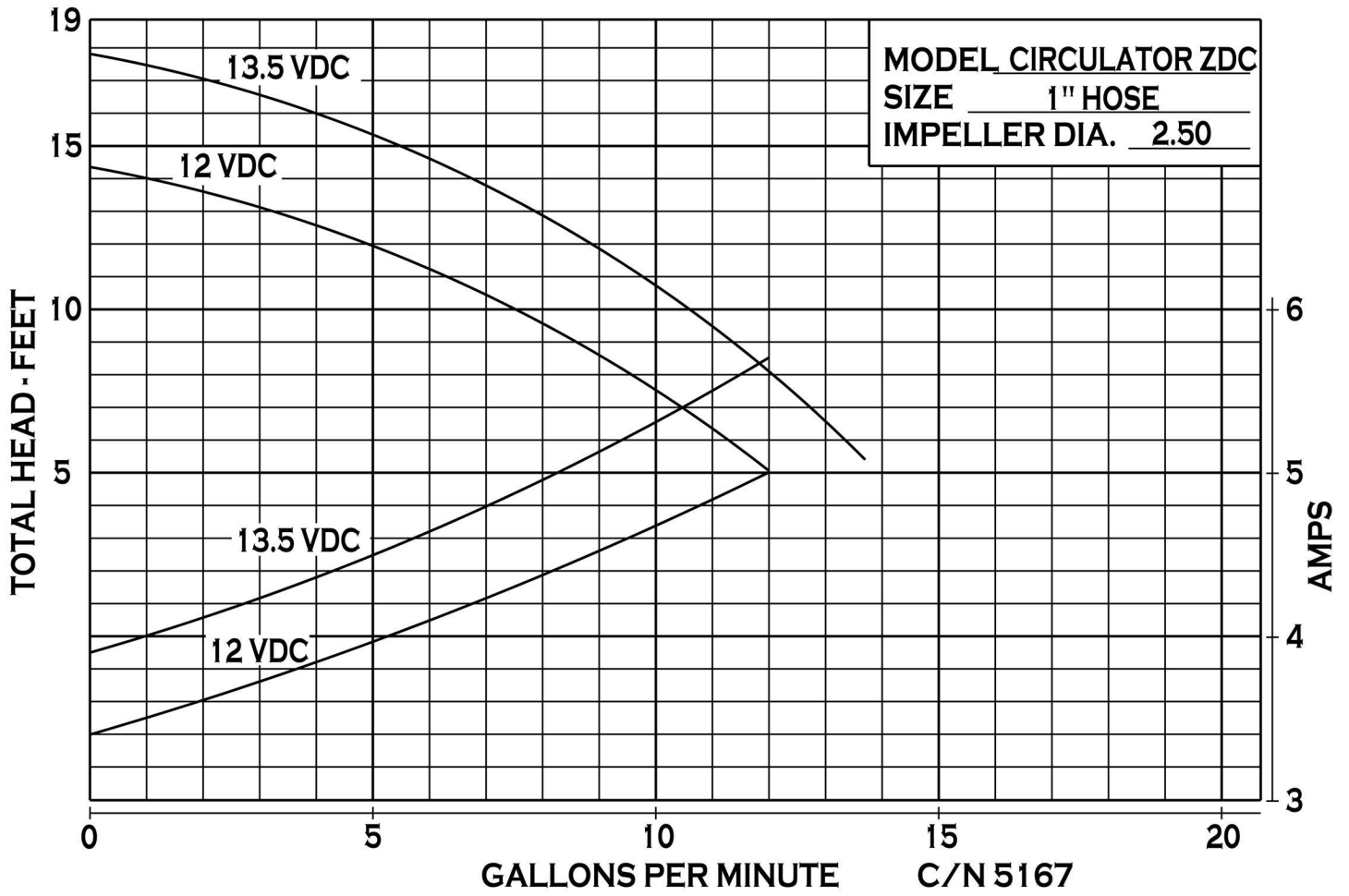


Application

- Agricultural
- Commercial
- Industrial
- Marine
- OEM
- Transportation

Features

- Convenient inline volute design
- Dual 18" long 14 AWG red (positive) black (negative) power leads
- Splash and weather resistant enclosure



34310

SIZED FOR USE WITH 1" I.D. HOSE

SIZED FOR USE WITH 1" I.D. HOSE

NOTES:

MOTOR:
 12 VDC SYSTEM
 13.5 VDC OPERATION
 4.5 - 6.0 AMPS
 4,000 - 6,000 HOURS BRUSH LIFE

PUMP:
 10 G.P.M. @ 4.5 P.S.I.

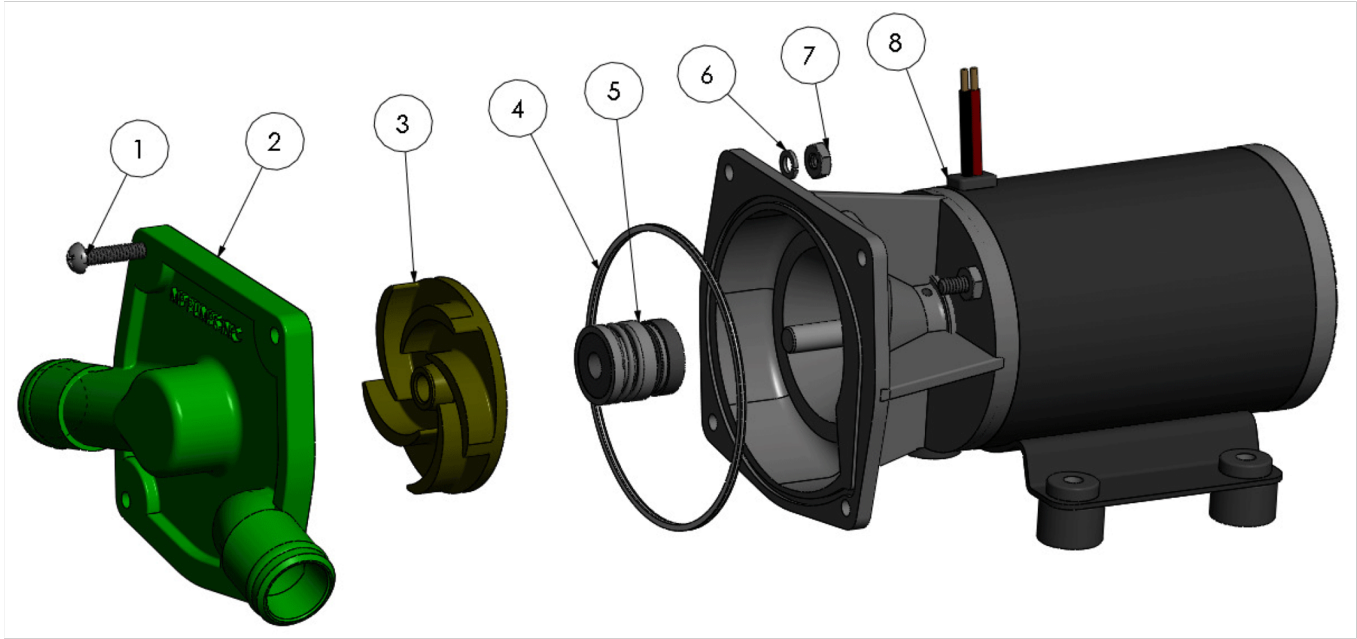
MATERIALS:
 ADAPTER - ALUMINUM
 COVER - ALUMINUM
 IMPELLER - SINTERED NICKEL STEEL
 SEAL - CARBON, CERAMIC, STAINLESS & BUNA

30 P.S.I. MAXIMUM OPERATING PRESSURE
 220° F. MAXIMUM TEMPERATURE

| | | | | | | | | | |
|-------------------------------------|------|----|------|-------|------|----------|----------|------|---------|
| REV | DATE | BY | CHKD | APP'D | DESC | MATERIAL | QUANTITY | UNIT | REMARKS |
| | | | | | | | | | |
| DO NOT SCALE | | | | | | | | | |
| CIRCULATOR PUMP 12 VDC 34310 | | | | | | | | | |



34800 BENNETT - FRASER, MI 48026-1686
 (586) 293-8240 - FAX (586) 293-8469
 (800) 563-8006 - www.mppumps.com



| PART NO. | ITEM NO. | DESCRIPTION | QTY. | PART NO. | ITEM NO. | DESCRIPTION | QTY. |
|----------|----------|---------------------------------|------|----------|----------|---------------------------|------|
| 34300 | 1 | CAPSCREW ZPS - #10-24 X 7/8 LG. | 4 | 21621 | 6 | LOCKWASH S.S. - #10 | 4 |
| 34306 | 2 | VOLUTE COVER A | 1 | 31767 | 7 | HEXNUT S.S. - #10-24 | 4 |
| 21587 | 3 | IMPELLER STL. - Ø2.5 | 1 | 34307 | 8 | ELE MOTOR 12 VDC W/ADAPT. | 1 |
| * 34301 | 4 | QUAD RING - BUNA | 1 | | | | |
| * 28984 | 5 | SEAL ASSY. - TYPE 16 | 1 | | | | |

* - RECOMMENDED REPLACEMENT PARTS