

# Nettco i-Series Mixer

PORTABLE/FIXED MOUNT MIXERS



## A World Leader In Industrial Mixing Since

**1923.** Lightnin has over 85 years of unrivaled experience in industrial mixing technology, process knowledge, and technological innovation. Lightnin enjoys a global reputation for durable, long-lasting mixers, agitators, aerators, and flocculators for fluid process systems. We offer a full spectrum of impeller designs for diverse applications. In addition, we offer a worldwide service network, mixer repair, gearbox repair, and replacement parts programs. Look to Lightnin for knowledge, technology and service excellence.

Based in Charlotte, North Carolina, SPX Corporation (NYSE: SPW) is a global Fortune 500 multi-industry manufacturing leader. The company's highly-specialized, engineered products and technologies serve customers in three primary strategic growth markets: infrastructure, process solutions, and diagnostic systems. Many of SPX's innovative solutions are playing a role in helping to meet rising global demand, particularly in emerging markets, for electricity, processed foods and beverages and vehicle services. The company's products include thermal heat transfer equipment for power plants; power transformers for utility companies; process equipment for the food & beverage industry; and diagnostic tools and equipment for the vehicle service industry. For more information, please visit [www.spx.com](http://www.spx.com).

## Introducing a new economical Portable and Fixed Mount Mixer Systems configured to meet your industrial needs

The Nettco i-Series mixer is available in a wide range of mixing and mounting configurations utilizing a unique modular assembly design. With one mixer it is possible to configure a clamp-on, open tank, or sealed mixer design, plus this mixer can be quickly converted from one mounting arrangement to another. Modifying the mounting configuration can be accomplished in less than two minutes.

- Highest quality at a competitive price
- For tank sizes: 0.1 - 20 m<sup>3</sup> (25 - 5,000 gal.)
- Designed for OEM Systems Suppliers and end users in general chemical industries
- Wide range of impellers and mounting options



### UNIQUE MODULAR CONCEPT FEATURES:

- Light weight aluminum construction
  - Proven planetary gearing - robust and reliable
  - Unique, innovative modular design
  - Reverse-taper shaft attachment for added safety
  - Motor, 0.37 - 2.2 kW (1/2 - 3 HP)
    - Washdown (IP55), inverter ready motor
    - Optional air motor available
  - Food grade lubricant optional
  - Fully standardized product
- Direct and gear options for this global use mixer provides full range of shaft speeds (RPM)
  - 1450, 290, and 240 (50 Hz)
  - 1750, 350, and 280 (60 Hz)
- Shaft lengths up to 2100 mm (84")
- Simple, compact design
- Economical
- Impellers from world's mixing technology leader
  - Multiple style impellers available
    - Hydrofoil, PBT and FP 100 (Marine Props)



Gear Drive Section View



Direct Drive Section View



Air Motor

## MODULAR DESIGN FEATURES:

### Clamp Module (P):

- Bolted onto base module
- Clamps to vessel or stand
- Corrosion-resistant stainless steel clamp
- 0° to 90° vertical adjustment

Adjustable mounting - controls vessel contents swirl for improved mixing



### Fixed-Mount Open Tank Module (Q):

Open Tank Flange Module

- Attaches to base module
- Use on open tanks where a seal is not required
- Vertical on center for baffled tanks
- Vertical offset for unbaffled tanks
- Can be angular mounted



### Bung Adaptor

Allows for mixing in drums by fitting securely into the opening

- Attaches to base module
- For use on standard drum with a 2" NPT bung
- Stainless Steel construction to prevent corrosion



### Fixed-Mount Closed Tank Lip Seal Module (L):

Closed Tank Sealed Module

- Attaches to base module
- For closed tanks with seal requirements
- ANSI or DIN Flange Mount Lip Seal
- Food grade lip seal good for 0.3 BAR (5 PSI) (allowable tank pressure)



### Sanitary Flange Lip Seal:

Clamps to sanitary flanges for a simple, clean connection when a low pressure sealing device is required.

- Attaches to base module
- 3", 4" and 6" Sanitary Flange designs available
- Food grade lip seal good for 0.3 BAR (5 PSI) (allowable tank pressure)
- Stainless Steel construction to prevent corrosion



### Fixed-Mount Closed Tank Mechanical Seal Module (S):

Closed Tank Sealed Module

- Attaches to base module
- For closed tanks with seal requirements
- ANSI or DIN Flange Mount
- Single dry-running mechanical seal good for 5 BAR (75 PSI) (allowable tank pressure)



### Sanitary Flange Mechanical Seal Assembly:

Clamps to sanitary flanges for a simple, clean connection when a mechanical seal is required.

- Attaches to base module
- 3", 4" and 6" Sanitary Flange designs available
- Single dry-running mechanical seal good for 5 BAR (75 PSI) (allowable tank pressure)



## Typical product applications

With a wide range of sizes, speeds, and mounting options, the Nettco i-Series mixer can be used in a variety of mixing applications. And with Lightnin's unparalleled mixing experience, every mixer comes with a process guarantee!

### Chemical



### Beverage



### Paints



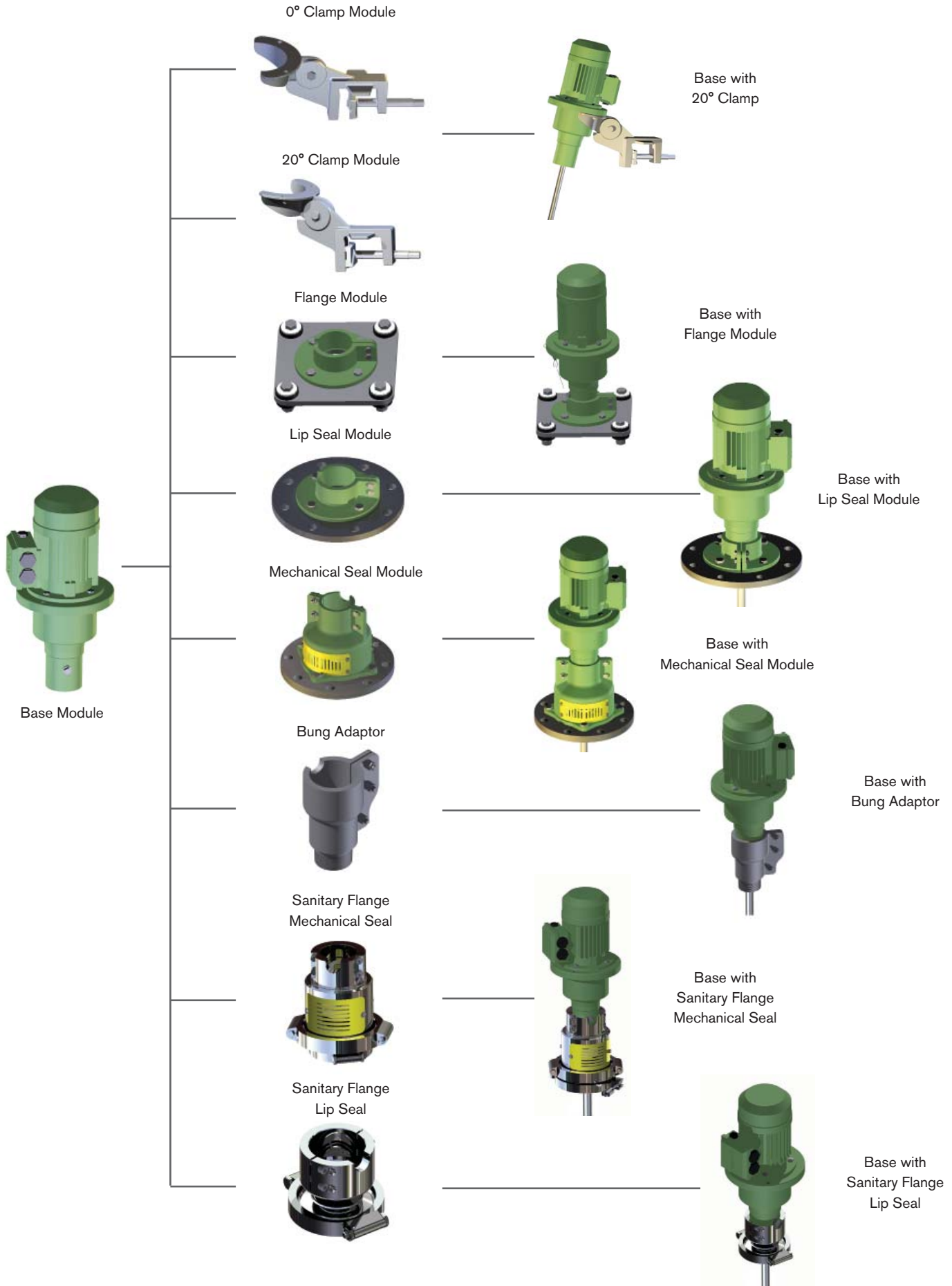
### Plastics

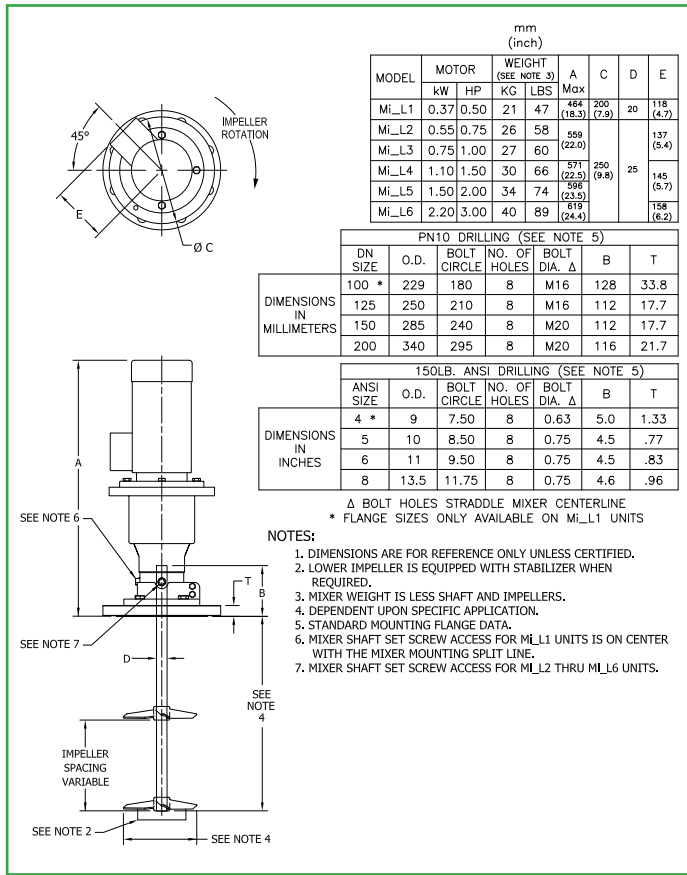


### Industrial

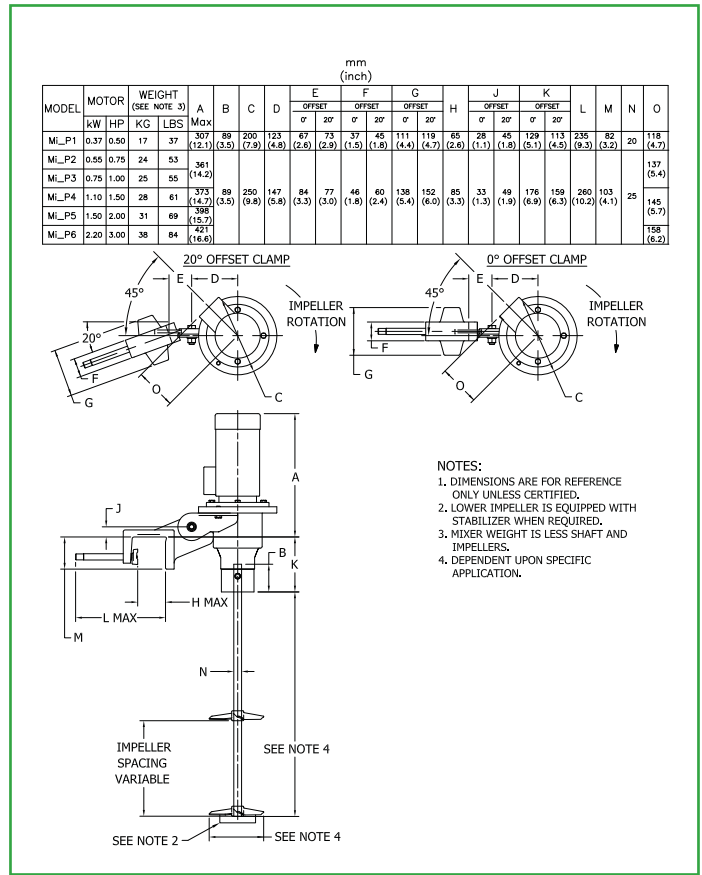


**MODULAR MIXING SYSTEM:**

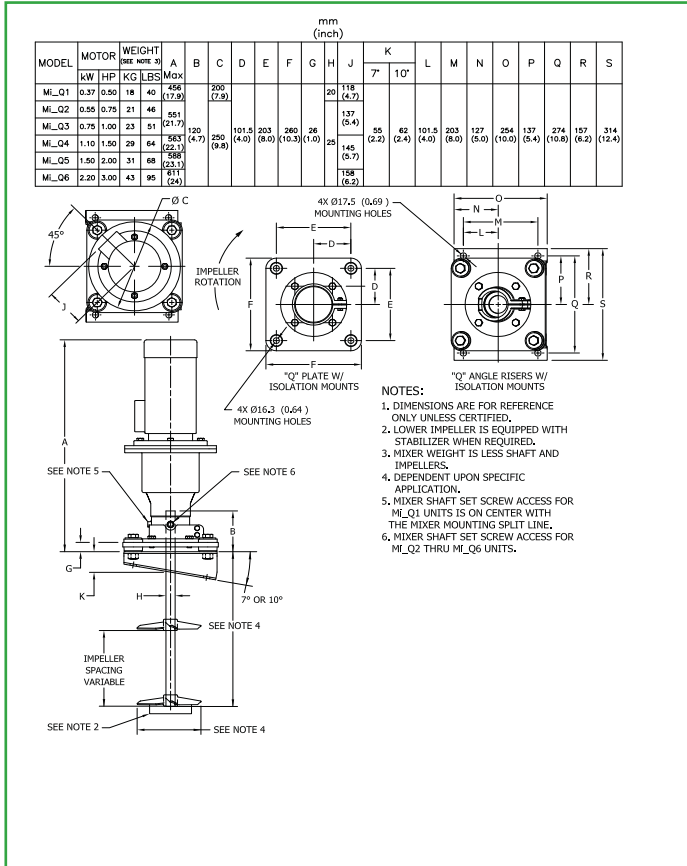




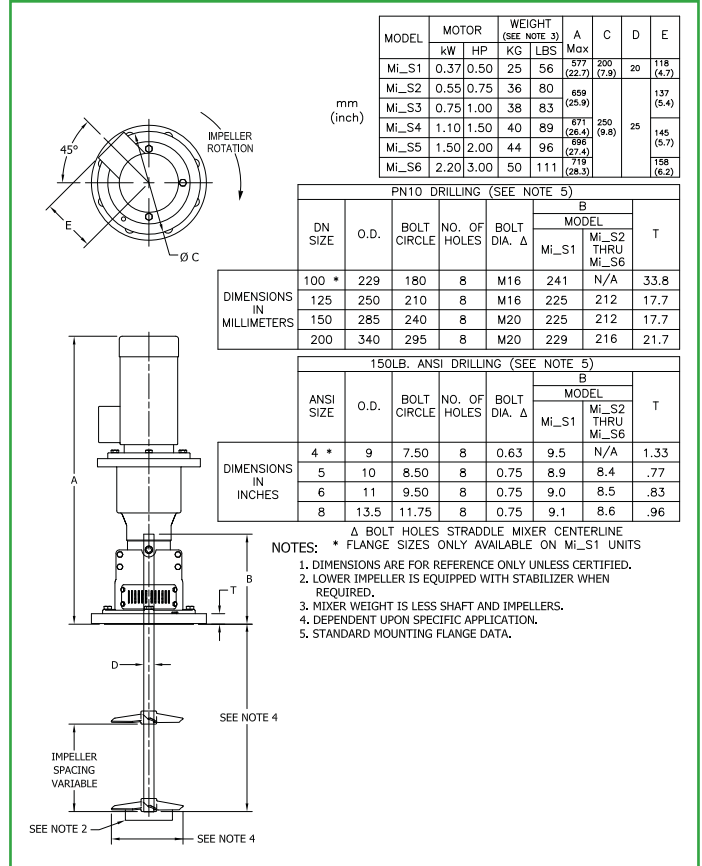
### L UNIT



### P UNIT



### Q UNIT



### S UNIT

# MIXER "BLEND TIME SELECTION TABLE"

## 60 HZ SELECTIONS

		VISCOSITY/cP or mPa-s						
		1	100	250	500	1000	2500	5000
TANK VOLUME / U.S. GALLONS	< 25	Mi1_1 (1) 1 3.6 FP	Mi1_1 (1) 1 3.6 FP	Mi1_1 (1) 1 3.6 FP	Mi1_1 (1) 1 3.6 FP	Mi1_1 (1) 1 3.3 FP	Mi6_1 (2) 1 8.9 FP	Mi6_1 (3) 1 7.7 FP
	< 50	Mi1_1 (1) 1 3.6 FP	Mi1_1 (1) 1 3.6 FP	Mi1_1 (2) 1 3.6 FP	Mi1_1 (2) 1 3.6 FP	Mi5_1 (1) 1 10.0 H	Mi6_1 (3) 1 8.9 FP	Mi6_1 (3) 1 10.0 FP
	< 100	Mi1_1 (2) 1 3.6 FP	Mi1_1 (2) 1 3.6 FP	Mi1_1 (2) 1 3.8 FP	Mi5_1 (1) 1 11.2 H	Mi5_1 (2) 1 10.0 H	Mi6_1 (3) 1 10.0 FP	Mi6_2 (5) 2 10.0 FP
	< 200	Mi1_1 (3) 1 3.6 FP	Mi1_1 (3) 1 3.6 FP	Mi5_1 (1) 1 11.2 H	Mi5_1 (2) 1 11.2 H	Mi6_1 (3) 2 11.2 H	Mi6_2 (6) 2 10.5 FP	Mi6_3 (9) 2 10.5 FP
	< 500	Mi1_1 (6) 1 3.8 H	Mi5_1 (3) 1 11.2 H	Mi5_1 (4) 1 11.2 H	Mi5_1 (5) 1 11.8 H	Mi6_1 (6) 2 12.8 H	Mi6_3 (12) 2 13.6 H	Mi6_4 (11) 2 11.4 FP
	< 1000	Mi5_1 (4) 1 11.2 H	Mi5_1 (7) 1 11.2 H	Mi5_1 (6) 1 11.8 H	Mi5_1 (7) 1 12.8 H	Mi6_2 (10) 1 13.6 H	Mi6_3 (21) 2 13.6 H	Mi6_5 (15) 2 13.1 FP
	< 2000	Mi5_1 (7) 1 11.2 H	Mi5_1 (14) 1 11.2 H	Mi6_1 (12) 2 12.8 H	Mi6_2 (17) 2 13.6 H	Mi6_3 (22) 2 14.5 H	Mi6_4 (33) 2 15.1 H	
	< 3000	Mi6_1 (11) 2 11.8 H	Mi6_1 (16) 2 12.8 H	Mi6_2 (18) 2 13.6 H	Mi6_3 (20) 2 14.5 H	Mi6_4 (27) 2 15.1 H	Mi6_5 (42) 2 15.6 H	
	< 5000	Mi6_1 (14) 2 12.8 H	Mi6_2 (23) 2 13.6 H	Mi6_3 (24) 2 14.5 H	Mi6_4 (27) 2 15.1 H	Mi6_4 (38) 2 15.1 H		

### Legend:

Series	Drive Ratio	Mounting	Motor Code	HP/kW
Nettco <b>Mi</b>	<b>1</b>	P	1	(0.5/0.37)
	5	<b>Q</b>	<b>2</b>	(0.75/0.55)
	6	L	3	(1/0.75)
		S*	4	(1.5/1.1)
			5	(2/1.5)
			6	(3/2.2)
			8**	(0.5/.37)
			9**	(0.75-2/1.55-1.3)
			10**	(3/2.2)

Tank height to diameter ratio 0.8 - 1.2

Liquids with Newtonian viscosity characteristics

S.G. difference of liquids < 0.1

Use for mild blending applications

Maximum density 1.10 g/cm<sup>3</sup>

Maximum viscosity ratio - 10:1 (>250cP)

Mixer in operation during filling and emptying

**Example: Mi1Q2**

\*Direct Drive not available with seal.

\*\* Air Motors

### Chart Reference:

Model Design		
Blend Time (min.)		
No. Impeller	Impeller Dia. (in.)	Impeller Type

FP = FP-100, H = Hydrofoil

# MIXER "BLEND TIME SELECTION TABLE"

## 50 HZ SELECTIONS

		VISCOSITY/cP or mPa-s						
		1	100	250	500	1000	2500	5000
TANK VOLUME / LITERS	< 100	Mi1_1 (1) 1 104 FP	Mi1_1 (1) 1 104 FP	Mi1_1 (1) 1 104 FP	Mi1_1 (1) 1 104 FP	Mi1_1 (1) 1 97 FP	Mi5_1 (2) 1 254 FP	Mi5_1 (2) 1 226 FP
	< 250	Mi1_1 (1) 1 104 FP	Mi1_1 (1) 1 104 FP	Mi1_1 (2) 1 104 FP	Mi1_1 (2) 1 104 FP	Mi5_1 (1) 1 325 H	Mi5_1 (3) 1 254 FP	Mi5_1 (3) 1 239 FP
	< 500	Mi1_1 (2) 1 104 FP	Mi1_1 (2) 1 104 FP	Mi5_1 (1) 1 325 H	Mi5_1 (1) 1 325 H	Mi5_1 (3) 2 285 H	Mi5_2 (4) 2 239 FP	Mi5_2 (5) 2 226 FP
	< 1000	Mi1_1 (4) 1 104 FP	Mi5_1 (2) 1 325 H	Mi5_1 (2) 1 325 H	Mi5_1 (2) 1 325 H	Mi5_1 (5) 2 285 H	Mi5_3 (7) 2 325 H	Mi5_3 (7) 2 239 FP
	< 1500	Mi1_1 (5) 1 104 FP	Mi5_1 (3) 1 325 H	Mi5_1 (3) 1 325 H	Mi5_1 (3) 1 325 H	Mi5_1 (7) 2 285 H	Mi5_3 (10) 2 325 H	Mi5_3 (9) 2 239 FP
	< 2000	Mi1_1 (7) 1 104 FP	Mi5_1 (3) 1 325 H	Mi5_1 (4) 1 325 H	Mi5_1 (5) 1 325 H	Mi5_1 (8) 2 285 H	Mi5_3 (12) 2 325 H	Mi5_4 (11) 2 267 FP
	< 2500	Mi5_1 (3) 1 325 H	Mi5_1 (5) 1 325 H	Mi5_1 (5) 1 325 H	Mi5_1 (5) 1 325 H	Mi5_2 (7) 1 368 H	Mi5_3 (16) 2 325 H	Mi5_5 (11) 2 290 FP
	< 3750	Mi5_1 (4) 1 325 H	Mi5_1 (7) 1 325 H	Mi5_1 (6) 1 325 H	Mi5_1 (7) 1 325 H	Mi5_2 (10) 1 368 H	Mi5_3 (21) 2 325 H	Mi5_5 (15) 2 290 FP
	< 5000	Mi5_1 (5) 1 325 H	Mi5_1 (9) 1 325 H	Mi5_1 (9) 2 300 H	Mi5_2 (13) 2 325 H	Mi5_3 (14) 2 345 H	Mi5_4 (26) 2 345 H	
	< 7500	Mi5_1 (6) 1 325 H	Mi5_1 (14) 1 325 H	Mi5_1 (13) 2 300 H	Mi5_2 (17) 2 325 H	Mi5_3 (23) 2 345 H	Mi5_4 (37) 2 345 H	
	< 10000	Mi5_1 (8) 1 325 H	Mi5_1 (17) 2 300 H	Mi5_2 (14) 2 325 H	Mi5_3 (18) 2 25 H	Mi5_4 (24) 2 368 H	Mi5_5 (37) 2 384 H	
	< 12500	Mi5_1 (11) 2 300 H	Mi5_2 (17) 2 325 H	Mi5_3 (18) 2 325 H	Mi5_4 (20) 2 384 H	Mi5_4 (28) 2 368 H		
	< 15000	Mi5_1 (12) 2 300 H	Mi5_2 (21) 2 325 H	Mi5_3 (20) 2 325 H	Mi5_4 (22) 2 384 H	Mi5_4 (32) 2 368 H		
	< 20000	Mi5_1 (16) 2 300 H	Mi5_2 (27) 2 325 H	Mi5_3 (23) 2 325 H				

### Chart Reference:

Model Design		
Blend Time (min.)		
No. Impeller	Impeller Dia. (mm)	Impeller Type

FP = FP-100, H = Hydrofoil

# Nettco i-Series Mixers

PORTABLE/FIXED MOUNT  
MIXERS

## SPX INDUSTRIAL PROCESSES

### MULTIPLE IMPELLER STYLES:



#### **PBT Impeller:**

For low-to-medium viscosity flow controlled applications. Although superseded by the Hydrofoil, the PBT still has a specific role in applications where a degree of fluid shear is beneficial to the overall process result.



#### **FP 100 Impeller (Marine Prop):**

Recommended for applications requiring moderate pumping action and powder-wetting capabilities.



#### **Hydrofoil Impeller:**

For low viscosity flow controlled applications. Combines performance and high flow efficiency not found in other axial flow impellers.

### GEAR DRIVE MIXER REPAIR KIT:

- Service kits available for rapid replacement of routine service items.



## Global locations

### USA

#### **SPX GLOBAL HEADQUARTERS**

13515 Ballantyne Corporate Place  
Charlotte, NC 28277  
United States of America  
+1 704 752 4400

#### **SPX FLOW TECHNOLOGY**

135 Mt. Read Blvd.  
Rochester, NY 14611  
P: (888) 649-2378 (MIX-BEST), US and Canada) or +1 (585) 436-5550  
F: (585) 436-5589  
E: [lightnin@spx.com](mailto:lightnin@spx.com) ▪ [www.lightninmixers.com](http://www.lightninmixers.com)

### APAC

#### **SPX ASIA PACIFIC**

2F, Treasury Building  
1568 Hua Shan Road  
Shanghai 20000523  
Peoples Republic of China  
+86 21 2208 5888

### EMEA

#### **SPX EUROPE**

Ocean House  
Towers Business Park  
Wilmslow Road  
Manchester, M20 2LY England  
+44 (0) 161 2491170

SPX reserves the right to incorporate our latest design and material changes without notice or obligation.

Design features, materials of construction and dimensional data, as described in this bulletin, are provided for your information only and should not be relied upon unless confirmed in writing. Please contact your local sales representative for product availability in your region. For more information visit [www.spx.com](http://www.spx.com).

The green ">" is a trademark of SPX Corporation, Inc.

ISSUED 06/2012 B-935

COPYRIGHT © 2012 SPX Corporation