

GF Piping Systems

Relaxed under pressure

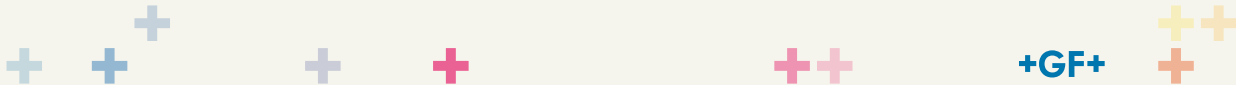
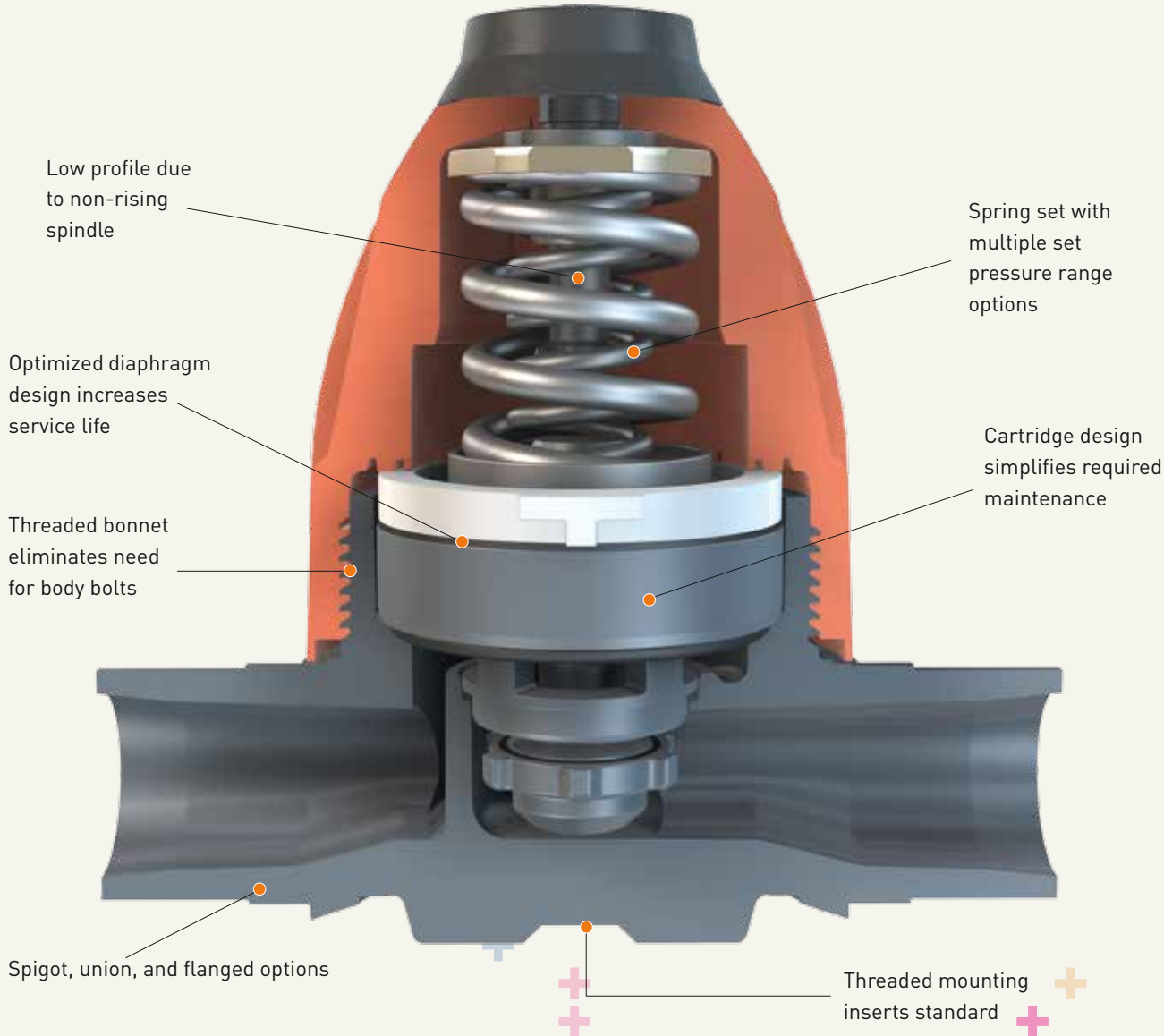
Pressure Reducing Valve Type 582
Pressure Retaining Valve Type 586



Rethinking what a PRV can be

Introducing our pressure regulating valves with a completely re-engineered design. The new valve is compact - without restricting performance in any way. It is easy to install and operate - the set screw controls a non-rising spindle for even flow control. Our PRV is flexible due to its modular design, allowing part interchange between multiple sizes of valves and components.

+ Strong on details



It's your choice

GF pressure regulating valves are engineered for precise control in your application. Our retaining and reducing valves offer superior performance with minimal space requirements. The modular design provides configuration flexibility and the easily replaceable cartridges facilitate maintenance and reduce required spare part inventory.

+ Modular Design



You want to control your processes efficiently.

+ Maintain pressure reliably

Benefits

Easy Installation

- Compact design enables installation even where space is limited
- Threaded bonnet eliminates need for body bolts
- Integrated assembling aid enables direct assembly of the valves to mounting sets
- Significantly shorter lay length with union connections

Easy Operation

- No re-torquing needed due to threaded bonnet design
- Easily adjusted set pressure with non-rising spindle
- Constant and low vibrating control behavior
- Tightness resistant to temperature cycling
- Low maintenance
- Adjusting set pressure possible during operation

Flexible

- Pressure gauge options for neutral and aggressive media
- Connection options available with true union, spigot, or flanged versions
- Low pressure spring set available (4–44 psi)
- Spare part flexibility due to modular design: one part might fit more than one valve



We developed a new pressure regulating valve that contributes to the energy and cost efficiency of your processes.

Type 582: The pressure reducing valve reduces the line pressure to a set value on the valve outlet. The outlet pressure is in no direct relation to the inlet pressure. Independent of raising or falling inlet pressure, the outlet pressure stays constant.

Type 586: The pressure retaining valve maintains the line pressure to a set value on the valve inlet. The inlet pressure is in direct relation to the flow. Independent of pressure fluctuations, the system pressure stays largely constant.



You want to reliably control your processes with ease.

Presenting a pressure regulating valve that is dependable and easy to handle.

+ Precisely control pressure

Dimensions	3/8"-2" (d16-d63)
Materials	PVC, CPVC, PP, PVDF
Diaphragms	PTFE/EPDM
Seals	EPDM, FPM
Connections	Unions, spigots, flanged
Pressure rating (nominal pressure)	150 psi (PN 10)
Pressure setting range	7-130 psi, 4-44 psi (0.5-9 bar, 0.3-3 bar)
Hysteresis	max. 6 psi (max. 0.5 bar)



Benefits

- Special piston with no elastomers (patent pending)
- Stainless steel pressure gauge and gauge guard optional available for high purity media
- True union or spigot end connector options
- Tightness resistant with temperature cycles
- Pressure setting even during operation

Produced in the clean room

Special, elastomer-free piston design
for your high-purity applications.





GF Piping Systems

GF Piping Systems

9271 Jeronimo Road, Irvine, CA 92618

Tel. (714) 731-8800, Toll Free (800) 854-4090, Fax (714) 731-6201

e-mail: us.ps@georgfischer.com

www.gfiping.com

Argentina / Southern South America

Georg Fischer Central Plastics
Sudamérica S.R.L.
Buenos Aires, Argentina
Phone +54 11 4512 02 90
gfcentral.ps.ar@georgfischer.com
www.gfps.com/ar

Australia

George Fischer Pty Ltd
Riverwood NSW 2210 Australia
Phone +61 (0) 2 9502 8000
australia.ps@georgfischer.com
www.gfps.com/au

Austria

Georg Fischer
Rohrleitungssysteme GmbH
3130 Herzogenburg
Phone +43 (0) 2782 856 43-0
austria.ps@georgfischer.com
www.gfps.com/at

Belgium / Luxembourg

Georg Fischer NV/SA
1070 Bruxelles/Brüssel
Phone +32 (0) 2 556 40 20
be.ps@georgfischer.com
www.gfps.com/be

Brazil

Georg Fischer Sist. de Tub. Ltda.
04795-100 São Paulo
Phone +55 (0) 11 5525 1311
br.ps@georgfischer.com
www.gfps.com/br

Canada

Georg Fischer Piping Systems Ltd
Mississauga, ON L5T 2B2
Phone +1 (905) 670 8005
Fax +1 (905) 670 8513
ca.ps@georgfischer.com
www.gfps.com/ca

China

Georg Fischer Piping Systems Ltd
Shanghai 201319
Phone +86 21 3899 3899
china.ps@georgfischer.com
www.gfps.com/cn

Denmark / Iceland

Georg Fischer A/S
2630 Taastrup
Phone +45 (0) 70 22 19 75
info.dk.ps@georgfischer.com
www.gfps.com/dk

Finland

Georg Fischer AB
01510 VANTAA
Phone +358 (0) 9 586 58 25
Fax +358 (0) 9 586 58 29
info.fi.ps@georgfischer.com
www.gfps.com/fi

France

Georg Fischer SAS
95932 Roissy Charles de Gaulle Cedex
Phone +33 (0) 1 41 84 68 84
fr.ps@georgfischer.com
www.gfps.com/fr

Germany

Georg Fischer GmbH
73095 Albershausen
Phone +49 (0) 7161 302-0
info.de.ps@georgfischer.com
www.gfps.com/de

India

Georg Fischer Piping Systems Ltd
400 076 Mumbai
Phone +91 224007 2001
branchoffice@georgfischer.com
www.gfps.com/in

Italy

Georg Fischer S.p.A.
20063 Cernusco S/N (MI)
Phone +39 02 921 861
it.ps@georgfischer.com
www.gfps.com/it

Japan

Georg Fischer Ltd
556-0011 Osaka,
Phone +81 (0) 6 6635 2691
jp.ps@georgfischer.com
www.gfps.com/jp

Korea

Georg Fischer Piping Systems
271-3 Seohyeon-dong Bundang-gu
Seongnam-si, Gyeonggi-do
Seoul 463-824
Phone +82 31 8017 1450
Fax +82 31 8017 1454
kor.ps@georgfischer.com
www.gfps.com/kr

Malaysia

Georg Fischer (M) Sdn. Bhd.
40460 Shah Alam, Selangor Darul Ehsan
Phone +60 (0) 3 5122 5585
my.ps@georgfischer.com
www.gfps.com/my

Mexico / Northern Latin America

Georg Fischer S.A. de C.V.
Apodaca, Nuevo Leon
CP66636 Mexico
Phone +52 (81) 1340 8586
Fax +52 (81) 1522 8906
mx.ps@georgfischer.com
www.gfps.com/mx

Middle East

Georg Fischer
Piping Systems (Switzerland) Ltd
Dubai, United Arab Emirates
Phone +971 4 289 49 60
gcc.ps@georgfischer.com
www.gfps.com/int

Netherlands

Georg Fischer N.V.
8161 PA Epe
Phone +31 (0) 578 678 222
nl.ps@georgfischer.com
www.gfps.com/nl

New Zealand

Georg Fischer Ltd
13 Jupiter Grove, Upper Hutt 5018
PO Box 40399, Upper Hutt 5140
Phone +64 (0) 4 527 9813
nz.ps@georgfischer.com
www.gfps.com/nz

Norway

Georg Fischer AS
1351 Rud
Phone +47 67 18 29 00
no.ps@georgfischer.com
www.gfps.com/no

Poland

Georg Fischer Sp. z o.o.
05-090 Sekocin Nowy
PO Box +48 (0) 22 31 31 0 50
poland.ps@georgfischer.com
www.gfps.com/pl

Romania

Georg Fischer
Piping Systems (Switzerland) Ltd
020257 Bucharest - Sector 2
Phone +40 (0) 21 230 53 80
ro.ps@georgfischer.com
www.gfps.com/int

Russia

Georg Fischer
Piping Systems (Switzerland) Ltd
Moscow 125047
Phone +7 495 258 60 80
ru.ps@georgfischer.com
www.gfps.com/ru

Singapore

George Fischer Pte Ltd
11 Tampines Street 92, #04-01/07
528 872 Singapore
Phone +65 6747 0611
sgp.ps@georgfischer.com
www.gfps.com/sg

Spain / Portugal

Georg Fischer S.A.
28046 Madrid
Phone +34 (0) 91 781 98 90
es.ps@georgfischer.com
www.gfps.com/es

Sweden

Georg Fischer AB
117 43 Stockholm
Phone +46 (0) 8 506 775 00
info.se.ps@georgfischer.com
www.gfps.com/se

Switzerland

Georg Fischer
Rohrleitungssysteme (Schweiz) AG
8201 Schaffhausen
Phone +41 (0) 52 631 30 26
ch.ps@georgfischer.com
www.gfps.com/ch

Taiwan

Georg Fischer Co., Ltd
San Chung Dist., New Taipei City
Phone +886 2 8512 2822
Fax +886 2 8512 2823
www.gfps.com/tw

United Kingdom / Ireland

Georg Fischer Sales Limited
Coventry, CV2 2ST
Phone +44 (0) 2476 535 535
uk.ps@georgfischer.com
www.gfps.com/uk

USA / Caribbean

Georg Fischer LLC
Irvine, CA 92618
Phone +1 (714) 731 88 00
Toll Free 800 854 40 90
us.ps@georgfischer.com
www.gfiping.com

Vietnam

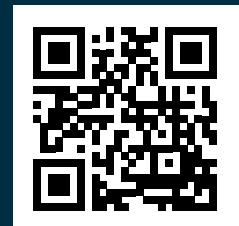
Georg Fischer Pte Ltd
136E Tran Vu, Ba Dinh District, Hanoi
Phone +84 4 3715 3290
Fax +84 4 3715 3285

International

Georg Fischer
Piping Systems (Switzerland) Ltd
8201 Schaffhausen/Switzerland
Phone +41 (0) 52 631 30 03
Fax +41 (0) 52 631 28 93
info.export@georgfischer.com
www.gfps.com/int

The technical data are not binding. They neither constitute expressly warranted characteristics nor guaranteed properties nor a guaranteed durability. They are subject to modification. Our General Terms of Sale apply.

www.gfps.com/prv



Item #1333 (9/14)
© GF Piping Systems
Printed in USA