

Ball Valve Types 167–170



Type 167 – 170

With electric actuator EA or smart electric actuator dEA, horizontal

Type 167 – 170

With electric actuator or smart electric actuator dEA, vertical

Product description

The 167 – 170 series is designed as a modular upgradeable 3-way ball valve for mixing and diverting applications which demand special process requirements. Ball valves of types 167 – 170 are based on the Ball Valve Type 543 and the electric actuator EA or the smart electric actuator dEA.

Applications

- Chemical process industry
- Seawater desalinization systems
- Life science industry industry
- Microelectronics
- Measurement and control
- Water treatment
- Diverting function in shipbuilding

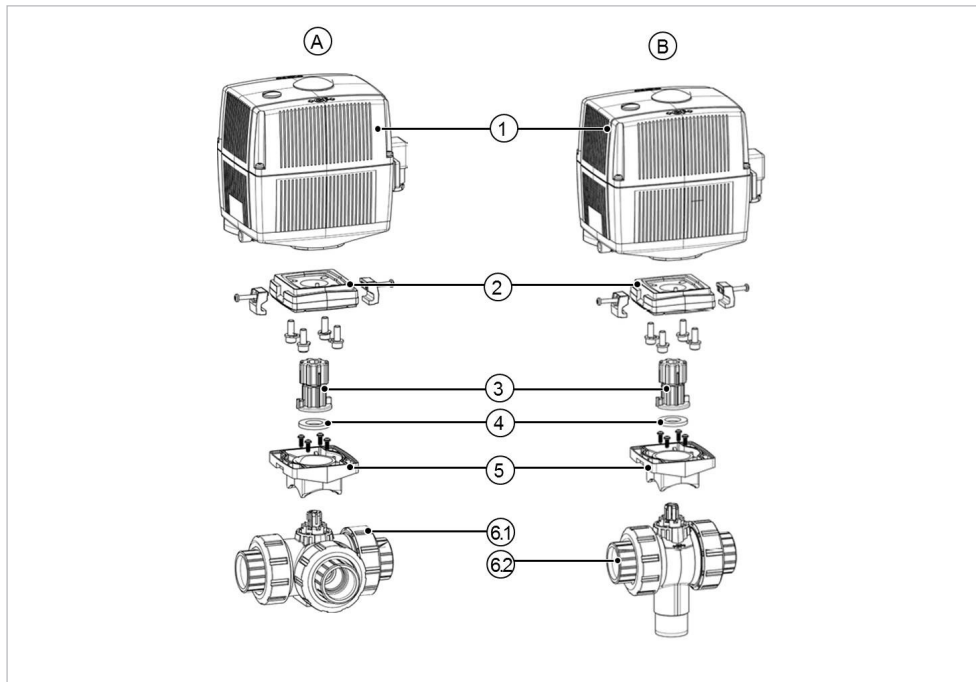
Benefits/features

- Electrical feedback with additional limit switches of different designs integrated into the actuator or in the multifunction module (optional 4-20 mA with Positioner)
- Rotation angle up to 355°; Preset to 0°-90°
- Up to 3 freely selectable stop positions (open/middle/close)
- Integrated emergency manual override
- Optional: Fail-safe return unit with or without integrated battery pack
- Optional: Cycle time monitoring
- Optional: Cycle counter
- Optional: Cycle time extension
- Optional: Motor current monitoring

Flow media

Neutral and aggressive media with a small amount of particles/solids. The chemical resistance is independent of the selected valve material ([see online tool ChemRes PLUS](#)).

Technical data



- A Ball Valve Types 167 – 169
- B Ball Valve Type 170
- ① Electric actuator EA/dEA
- ② Adapter plate
- ③ Coupling
- ④ Spacer
- ⑤ MF housing
- 6.1 3-way Ball Valve Type 543, horizontal
- 6.2 3-way Ball Valve Type 543, vertical

Specification		
Dimensions	D16/DN10 – d63/DN50	
Base type	Type 543	
Actuator type	EA25/dEA25	
Materials	PVC-U, PVC-C, ABS, PP-H, PVDF	
Gasket materials	O-ring	FKM, EPDM
	Ball	PTFE, PVDF
Pressure rating	PN10	
Connections	Sockets, spigots, threaded sockets	
Standards	ISO, BS, ASTM, JIS	

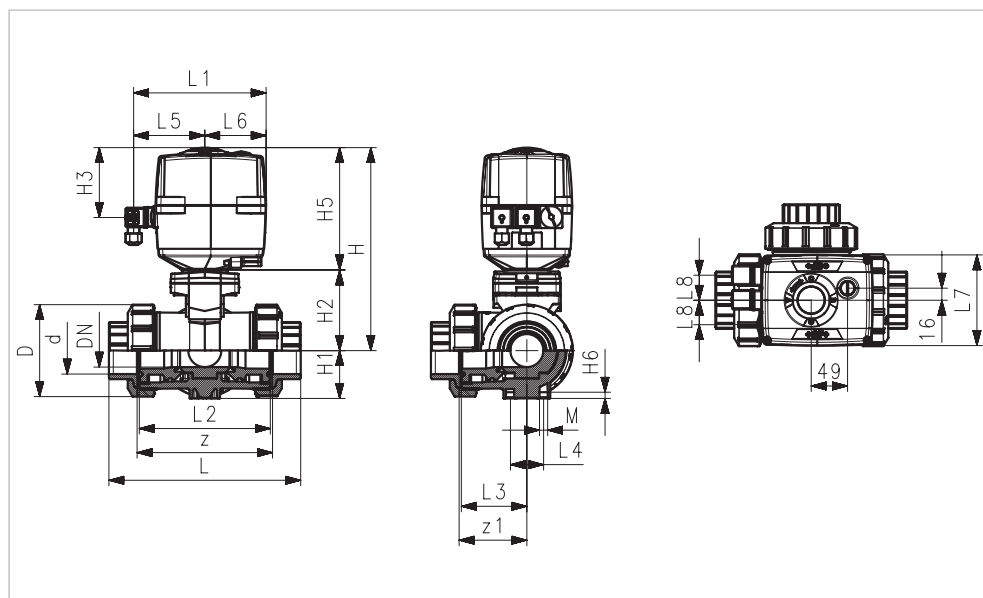
i The following technical data can be found in the Planning Fundamentals under "Ball Valve Type 543, hand-operated":

- Pressure-temperature diagram
- Pressure loss
- Flow characteristics
- Kv values
- Reference values for screw fastenings

Dimensions

Ball Valve Type 167

PVC-U, PVC-C, ABS with solvent cement sockets

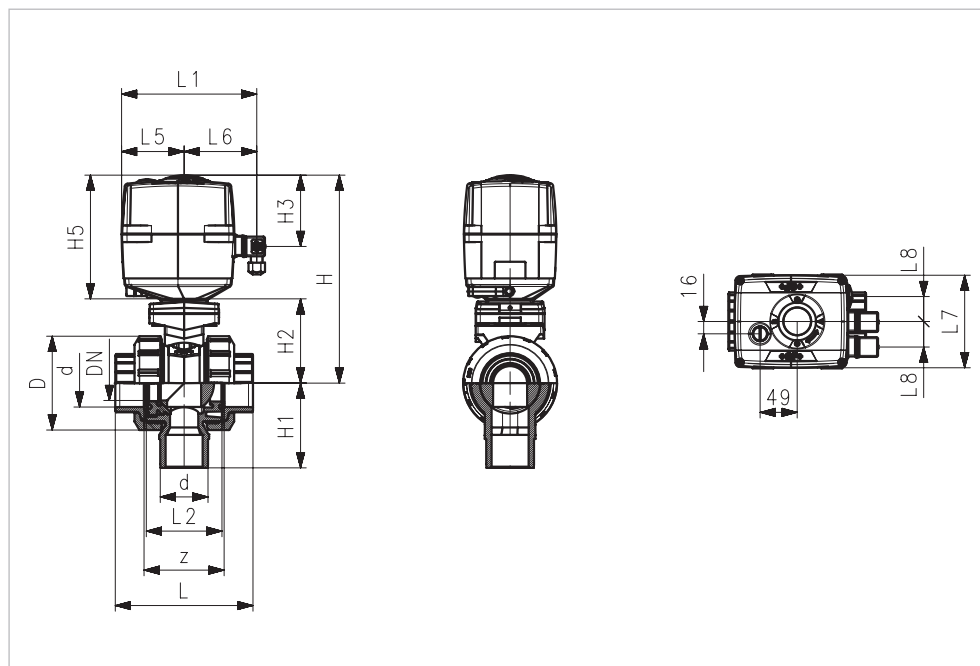


d (mm)	DN (mm)	D (mm)	H (mm)	H1 (mm)	H2 (mm)	H3 (mm)	H5 (mm)	H6 (mm)
16	10	50	231	28	64	94	167	8
20	15	50	231	28	64	94	167	8
25	20	58	240	32	73	94	167	8
32	25	68	240	36	73	94	167	8
40	32	84	251	45	84	94	167	9
50	40	97	251	51	84	94	167	9
63	50	124	273	65	106	94	167	9

d (mm)	L (mm)	L1 (mm)	L2 (mm)	L3 (mm)	L4 (mm)	L5 (mm)	L6 (mm)	L7 (mm)	L8 (mm)	M (mm)	z (mm)	z1 (mm)
16	109	180	73	36	25	97	83	122	33	6	81	40
20	112	180	73	36	25	97	83	122	33	6	81	40
25	131	180	86	43	25	97	83	122	33	6	94	47
32	151	180	99	50	25	97	83	122	33	6	107	54
40	181	180	120	60	45	97	83	122	33	8	130	65
50	205	180	137	69	45	97	83	122	33	8	143	72
63	261	180	179	89	45	97	83	122	33	8	185	92

Ball Valve Type 170

PVC-U, ABS with solvent cement sockets



d (mm)	DN (mm)	D (mm)	H (mm)	H1 (mm)	H2 (mm)	H3 (mm)	H5 (mm)	L (mm)
16	10	50	231	62	64	94	167	92
20	15	50	231	62	64	94	167	95
25	20	58	240	72	73	94	167	111
32	25	68	240	77	73	94	167	123
40	32	84	251	87	84	94	167	146
50	40	97	251	97	84	94	167	157
63	50	124	273	112	106	94	167	183

d (mm)	L1 (mm)	L2 (mm)	L5 (mm)	L6 (mm)	L7 (mm)	L8 (mm)	z (mm)
16	180	56	97	83	122	33	64
20	180	56	97	83	122	33	64
25	180	66	97	83	122	33	74
32	180	71	97	83	122	33	79
40	180	85	97	83	122	33	95
50	180	89	97	83	122	33	95
63	180	101	97	83	122	33	107

Accessories

- Fail-safe return unit with or without integrated battery package
- AS-interface plug on module
- Limit switch assembly kits for multi function module AgNi, Au, NPN, PNP
- Monitoring board with cycle time extension, cycle time monitoring, cycle cycle time monitoring, cycle counter and motor current monitoring
- Positioner board for modulating operation with 4-20 mA Feedback and integrated motor current monitoring
- Profibus DP V0



For further information on accessories, refer to the online product catalog at www.gfps.com

The information and technical data (altogether "Data") herein are not binding, unless explicitly confirmed in writing. The Data neither constitutes any expressed, implied or warranted characteristics, nor guaranteed properties or a guaranteed durability. All Data is subject to modification. The General Terms and Conditions of Sale of Georg Fischer Piping Systems apply.

09/2020-A

© Georg Fischer Piping Systems Ltd, 8201 Schaffhausen/Switzerland

Tel. +41 52 631 11 11 • www.gfps.com • E-Mail: info.ps@georgfischer.com