



# FLOMAX 5

## 1-1/2" x 1-1/2" Self Priming Centrifugal Pump

FLOMAX® 5 self priming centrifugal pumps are capable of creating vacuum sufficient to lift liquids from heights up to 25 feet above the source. Once primed, the pump's built in flapper valve will maintain a full column of liquid in the suction line.

A FLOMAX® PumPAK® is a fully assembled and run tested pump end that can be easily coupled to a number of drivers such as hydraulic motors, 56C and 145TC frame motors and gas engines. A bearing pedestal is also available for T-frame motor or belt drive.

Standard features include stainless steel drive sleeve, stainless steel fasteners, renewable wear plate, and a semi-open dynamically balanced impeller.

The FLOMAX® series of pumps are commonly used in Industrial, OEM, Agricultural and Marine applications, such as: Bilge Pumps, Auxiliary Fire Pumps, Ballast Transfer Pumps, Washdown Pumps, Fertilizer and Pesticide Pumps, Applicators & Sprayers, Blending Pumps, Nurse Tanks, Bulk Transfer Pumps and much more.

ABS Type Approval for the Flomax 5 and 8 - [Download PDF](#)



### Application

- Agricultural
- Industrial
- Marine
- OEM

### Features

- Renewable wear plate
- Stainless steel drive sleeve
- Stainless steel fasteners
- Up to a 25' suction lift

## SPECIFICATIONS:

Suction And Discharge	1-1/2" x 1-1/2" NPT
Materials Of Construction	Aluminum, Bronze, Cast iron
Flow	Up to 145 GPM
Head Feet	UP to 100'
Impeller	5.0" max. diameter, semi-open
Motor	Up to 3 HP
Drive Options	Close coupled 56C, Engine mount 5.5 HP, Engine mount 6.5 HP, Close coupled 145TC, Pedestal, PumPAK® (without motor)
Seal	Special seal material combinations available (consult factory), Standard carbon / ceramic / Viton
Options	5 blade impeller available for higher flows, Base plate shown above is optional, Double seal available for dry run applications, Hydraulic motor .22 cu. in., Hydraulic motor .37 cu. in., Hydraulic motor .45 cu. in., Stainless steel impeller

# FLOMAX 5

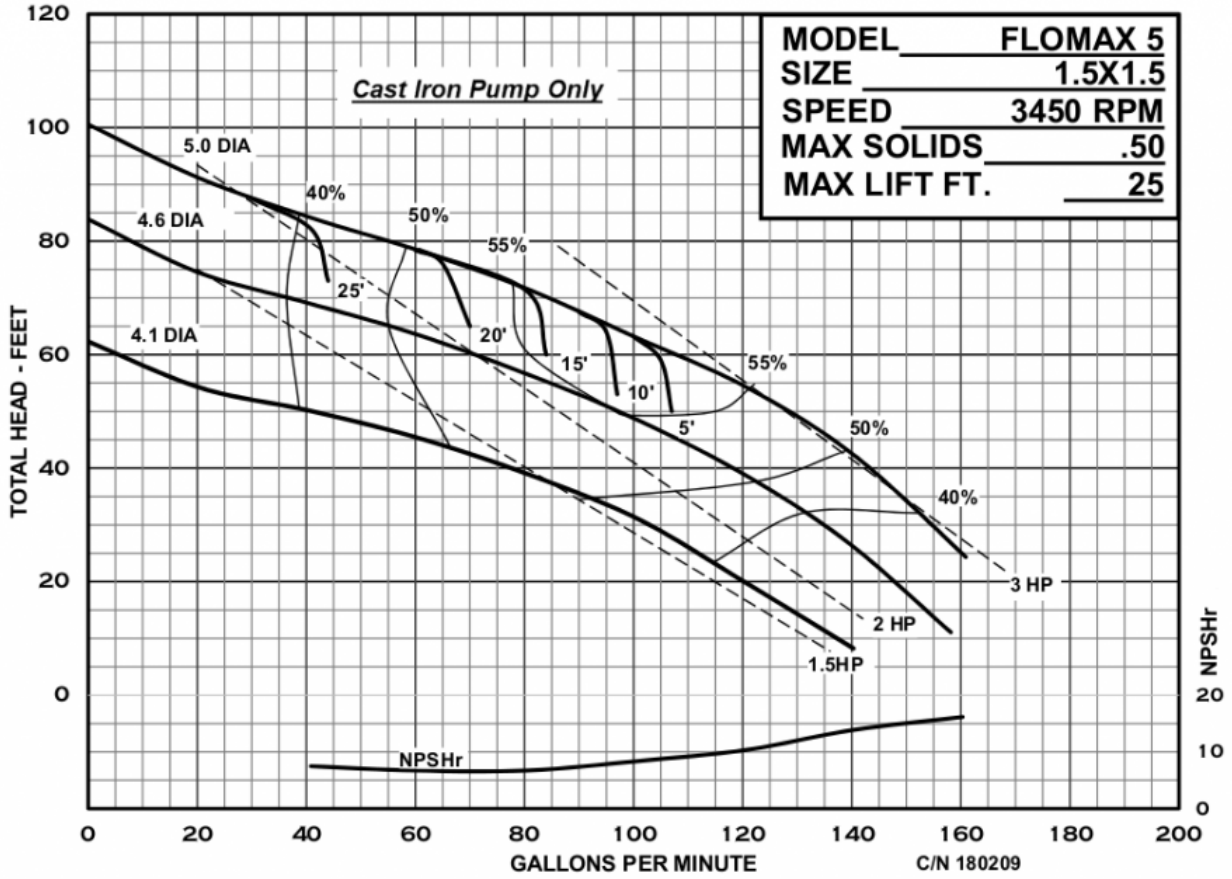
Max Solid Size

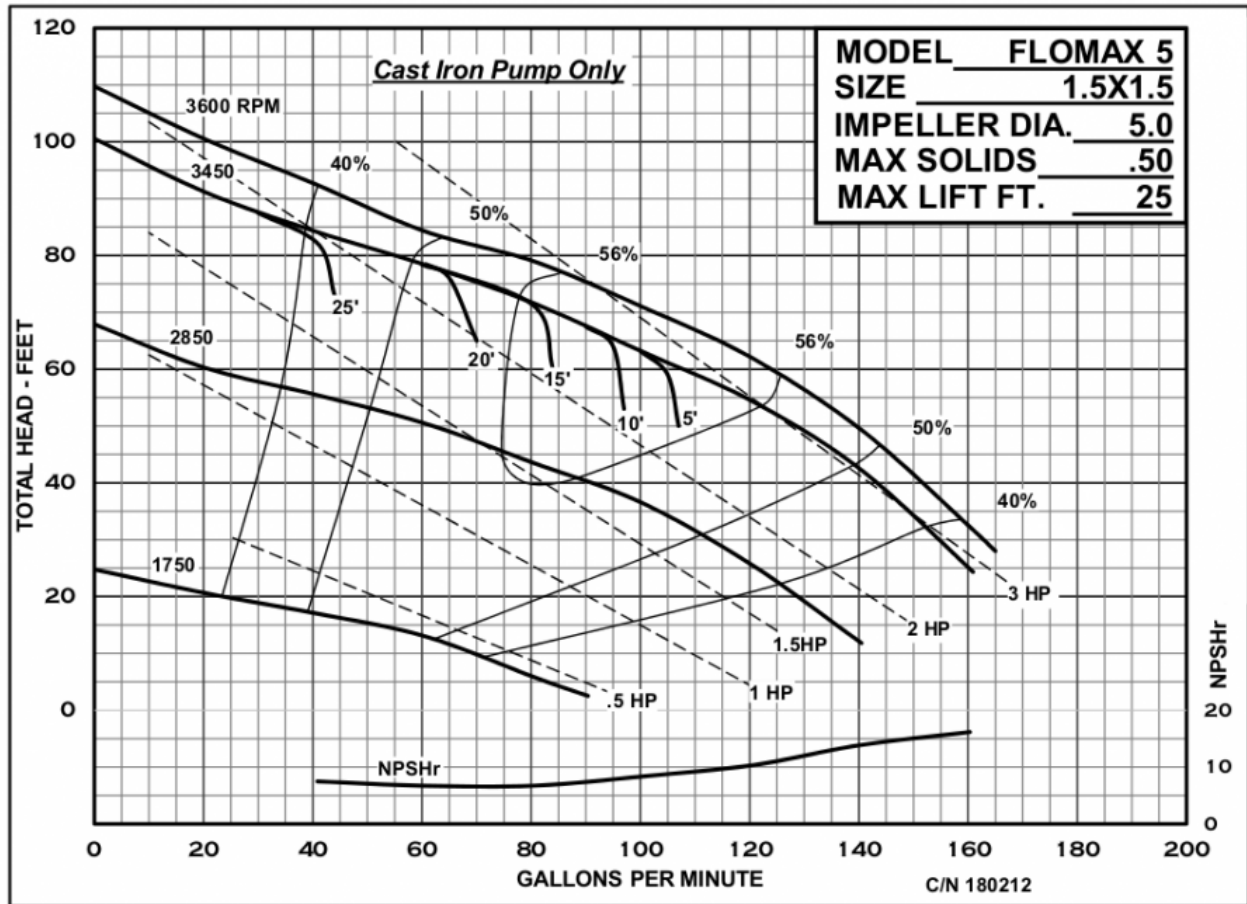
.56"



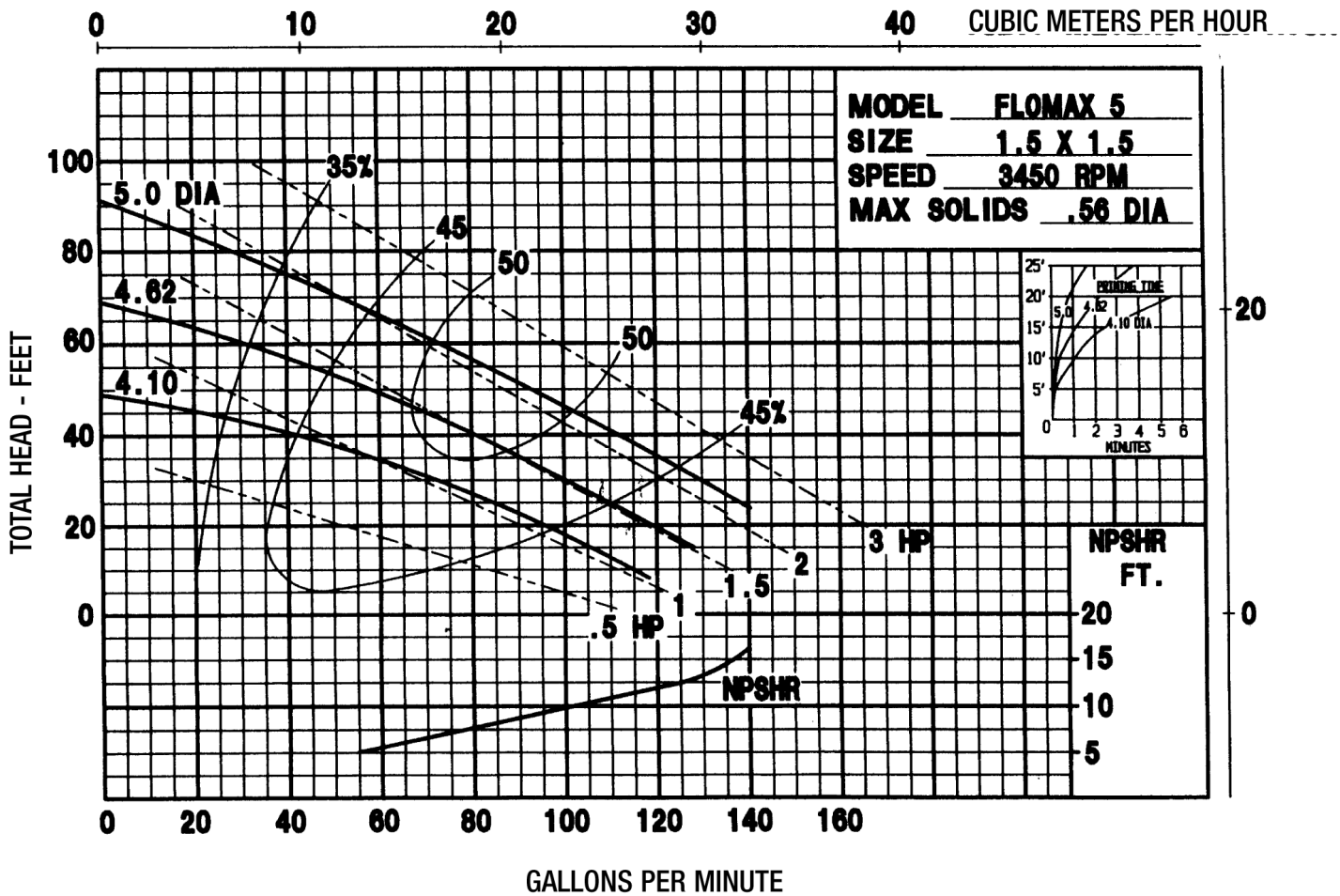
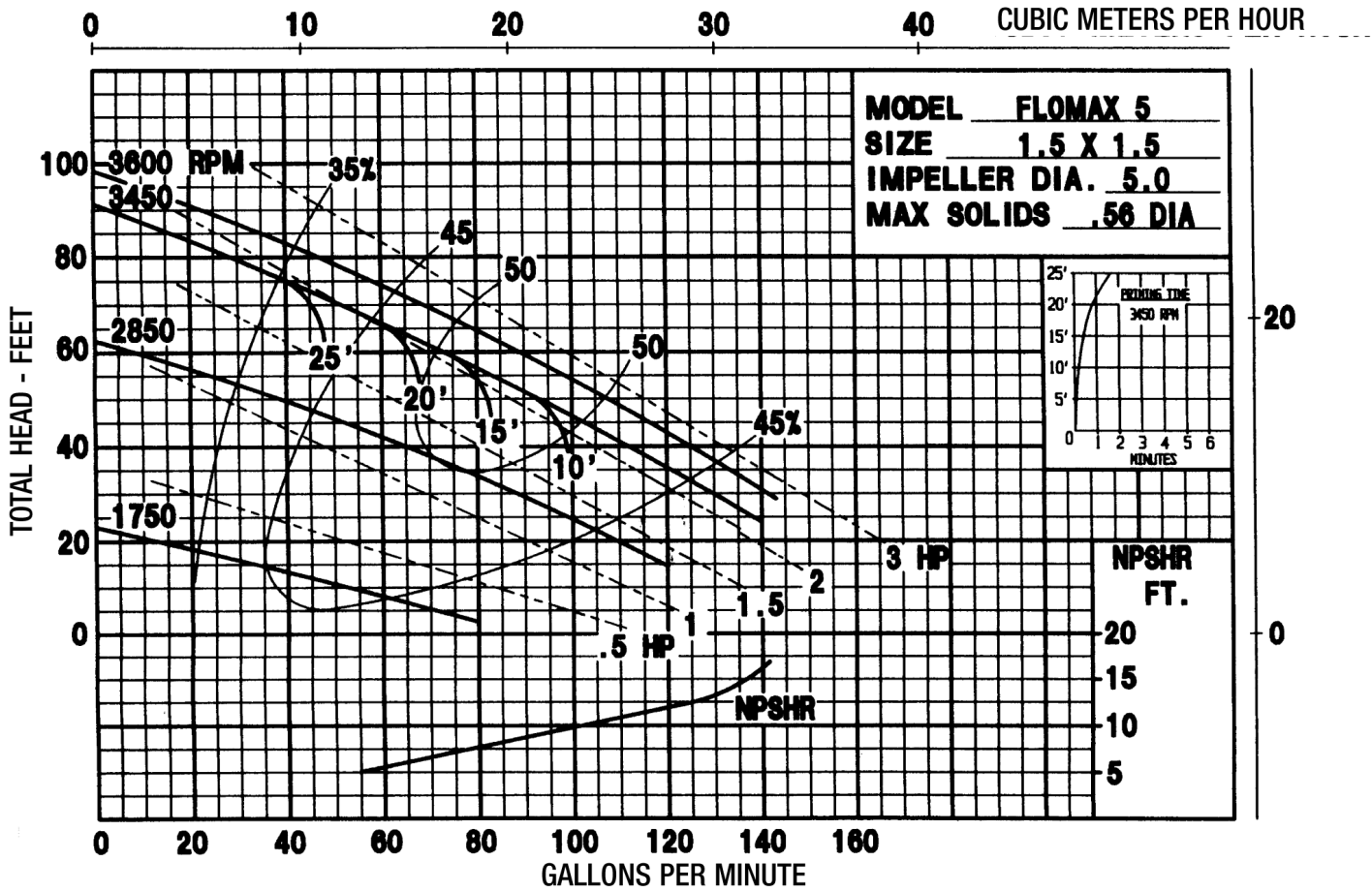
34800 BENNETT - FRASER, MI 48026-1686  
(586) 293-8240 - FAX (586) 293-8469  
(800) 563-8006 - [www.mppumps.com](http://www.mppumps.com)

FLOMAX 5

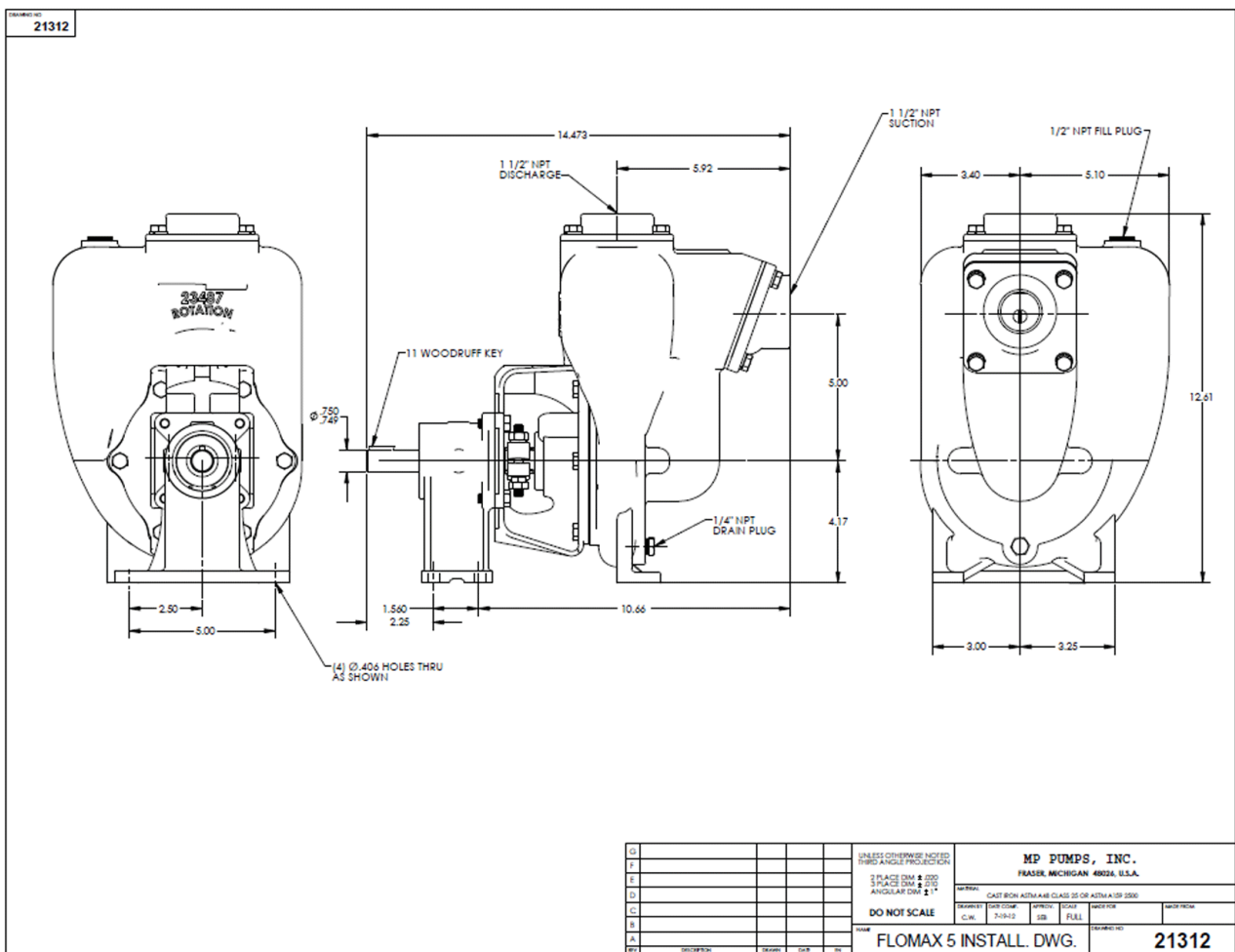
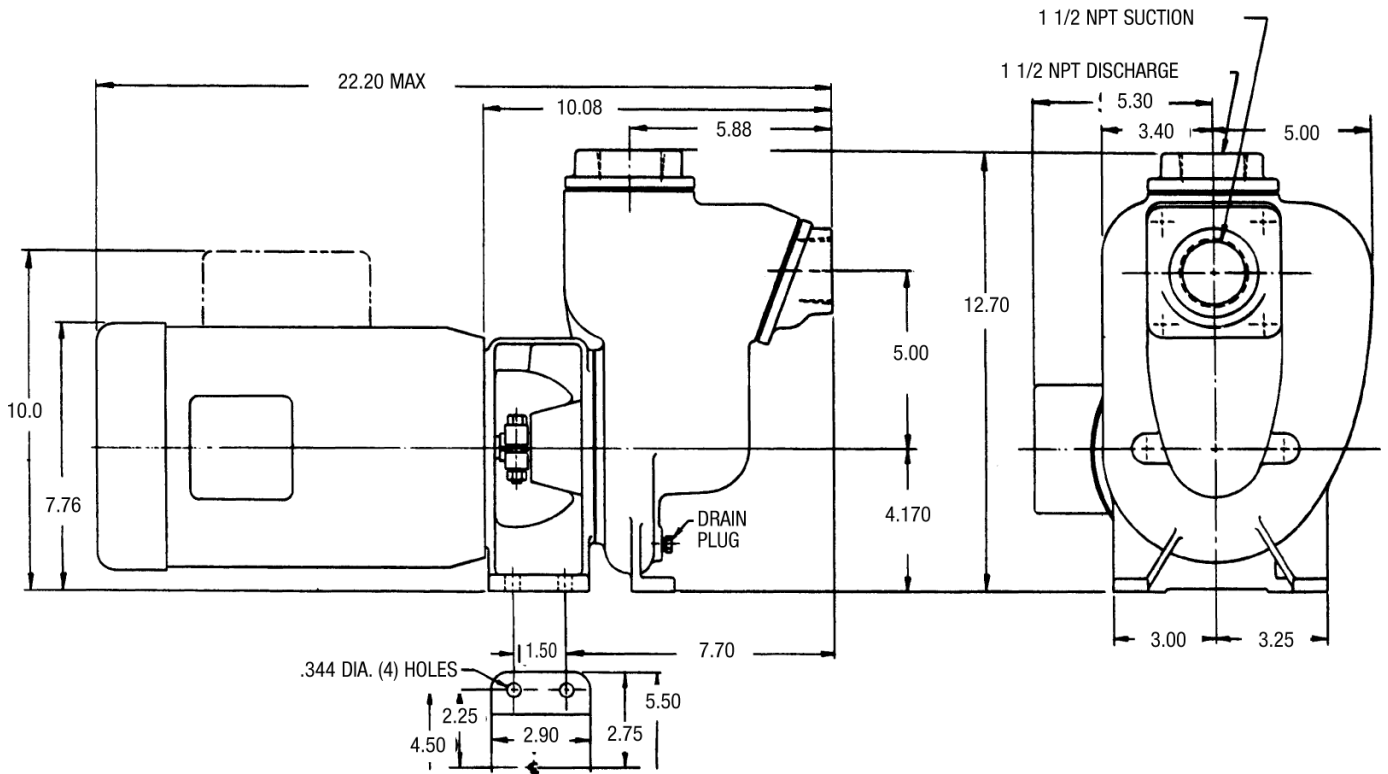


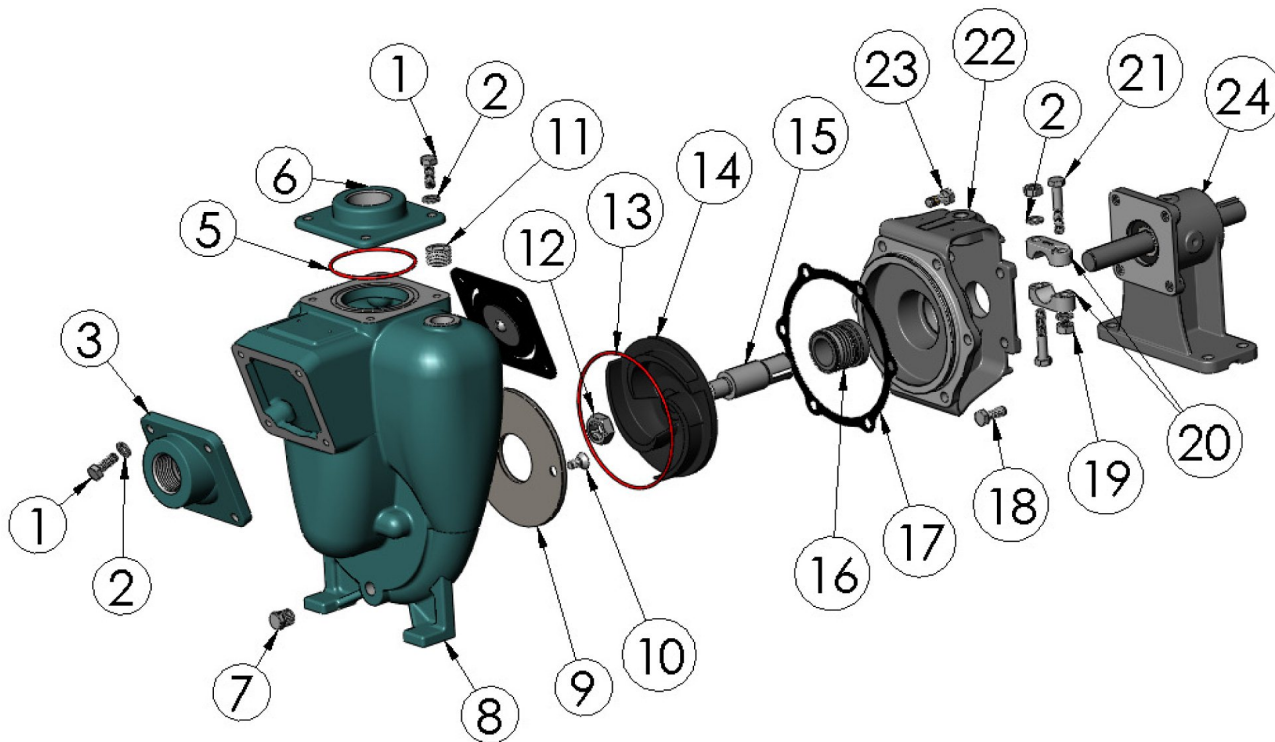


# FLOMAX 5



34800 BENNETT - FRASER, MI 48026-1686  
 (586) 293-8240 - FAX (586) 293-8469  
 (800) 563-8006 - www.mppumps.com





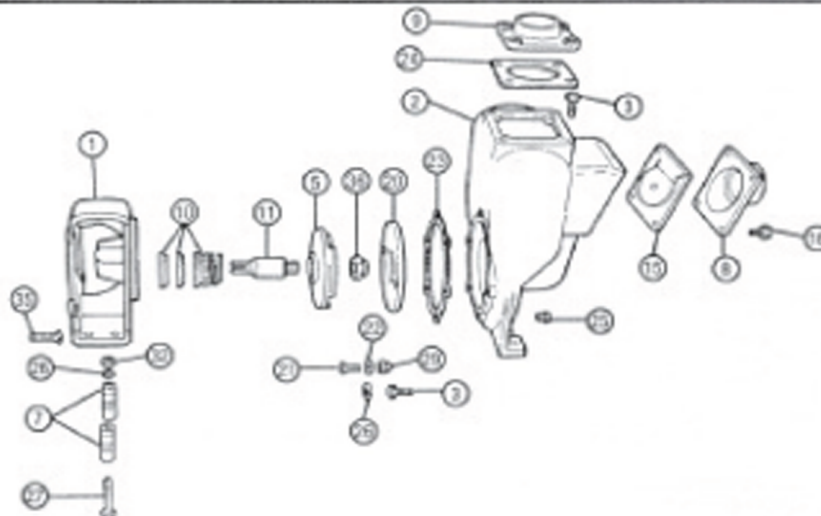
ITEM NO.	PART NO.	DESCRIPTION	QTY.	ITEM NO.	PART NO.	DESCRIPTION	QTY.
1	21242	CAPSCREW - 5/16"-18 X 7/8"	8	13	34555	O RING - VITON	1
2	21238	LOCKWASHER 5/16	14	14	22293	IMPELLER	1
3	22263	SUCTION FLANGE- 1 1/2" NPT	1	15	22286	DRIVE SLEEVE SS - 3/4	1
* 4	23022	FLAPPER ASY- BUNA	1	* 16	22272	SEAL ASSY - VITON	1
* 5	37141	O RING - VITON	1	* 17	22255	GASKET	1
6	22266	DISCHARGE FLANGE- 1 1/2" NP	1	18	21278	CAPSCREW- 5/16"-24 X .88	4
7	41475	PIPE PLUG- 1/4" NPT	1	19	21284	HEX NUT- 5/16"-18	2
8	22251	HOUSING C	1	20	21946	CLAMP- 3/4 SL	2
* 9	22260	WEAR PLATE C.I.	1	21	21264	CAPSCREW- 5/16"-18 X 1 3/4"	2
10	37131	FLAT HD. SCREW S.S.	2	22	22247	ADAPTOR	1
11	37140	FILL PLUG ZPS - 1/2 NPT	1	23	24965	CAPSCREW- 5/16"-18 X 3/4"	6
12	22655	JAM NUT- 5/8"-18	1	24	26141	PEDESTAL ASY C.I. - H. DUTY	1

\* SUGGESTED REPLACEMENT PARTS

# MP PUMPS SERVICE PARTS LIST

- Self Priming
- Electric Motor Drive
- Pumpak
- Close Coupled

**Flomax 5 1 1/2" x 1 1/2" Pipe Size**  
**Flomax 8 2" x 2" Pipe Size**



**IMPORTANT:** Read special instructions for item 10.  
 When ordering parts, specify model and serial number shown on nameplate.  
 N/S means not shown in exploded view of parts.

ITEM NO.	PART NO.	DESCRIPTION	QUANTITY REQUIRED PER MODEL								
			METAL	CAST IRON		ALUMINUM		BRONZE			
			FLOMAX	5	8	5	8	5	8		
		<b>MODEL NO.</b>									
		7/8" sleeve		26074	25922	26262	26066	26268	26066		
		5/8" sleeve		25979	26079	26260	26264	26223	25984		
<b>HOUSING</b>											
	23021	Housing Assembly Cast Iron — Incl.:		1	1						
2		Housing — Cast Iron		1	1						
3	24965	Capscrew — S.S. — 5/16" x 3/4"		6	6						
25	21267	Pipe Plug — 1/4"		1	1						
	32019	Housing Assembly R.H. Aluminum Inc.:				1	1				
2		Housing — Aluminum				1	1				
3	24965	Capscrew — S.S. — 5/16" x 3/4"				6	6				
25	21267	Pipe Plug — 1/4"				1	1				
	23020	Housing Assembly Housing — Bronze							1	1	
2		Housing — Bronze							1	1	
3	24965	Capscrew — S.S. — 5/16" x 3/4"							6	6	
25	21267	Pipe Plug — 1/4"							1	1	
16	21242	Capscrew — S.S. — 5/16" — Flanges		8	8	8	8	8	8	8	
26	21238	Lockwasher — S.S. — 5/16" Housing to Suction — 4 Housing to Discharge — 4		8	8	8	8	8	8	8	
15	23022	Flapper Assembly		1	1	1	1	1	1	1	
23	22255	Gasket — Housing to Adapter		1	1	1	1	1	1	1	
24	22256	Gasket — Outer to Housing		1	1	1	1	1	1	1	
<b>FLANGES</b>											
8	22263	Flange — Inlet — Cast Iron — 1-1/2"		1							
8	22387	Flange — Inlet — Cast Iron — 2"			1						
8	22261	Flange — Inlet — Aluminum — 1-1/2"				1					
8	22385	Flange — Inlet — Aluminum — 2"					1				
8	22262	Flange — Inlet — Bronze — 1-1/2"							1		



34800 BENNETT • FRASER, MI 48026-1686  
 (586) 293-8240 • FAX (586) 293-8469  
 (800) 563-8006 • www.mppumps.com

**FORM 7052-F**

PRINTED IN U.S.A. (8-97)



34800 BENNETT - FRASER, MI 48026-1686  
 (586) 293-8240 - FAX (586) 293-8469  
 (800) 563-8006 - www.mppumps.com

ITEM NO.	PART NO.	DESCRIPTION	QUANTITY REQUIRED PER MODEL						
			METAL	CAST IRON		ALUMINUM		BRONZE	
			FLOMAX	5	8	5	8	5	8
			MODEL NO.						
		7/8" sleeve	26074	25922	26262	26066	26268	26066	
		5/8" sleeve	25979	26079	26260	26264	26223	25984	

### FLANGES - Continued

8	22386	Flange — Inlet — Bronze — 2"						1
9	22266	Flange — Outlet — Cast Iron — 1-1/2"	1					
9	22311	Flange — Outlet — Cast Iron — 2"		1				
9	22264	Flange — Outlet — Aluminum — 1-1/2"			1			
9	22309	Flange — Outlet — Aluminum — 2"				1		
9	22265	Flange — Outlet — Bronze — 1-1/2"					1	
9	22310	Flange — Outlet — Bronze — 2"						1

### IMPELLER

5	22293	Impeller — Cast Iron — 5.0" Dia.	1	1				
5	24585	Impeller — Cast Iron — 4.6" Dia.						
5	25139	Impeller — Cast Iron — 4.1" Dia.						
5	22294	Impeller — Stainless Steel — (Optional)	1	1	1	1	1	1
5	22291	Impeller — Aluminum — 5.0" Dia.			1	1		
5	22292	Impeller — Bronze — 5.0" Dia.					1	1
36	22655	Impeller — Lock Nut — S.S. — 5"	1	1	1	1	1	1
11	22263	Drive Sleeve — S.S. 5/8" Bore For NEMA 56C	1	1	1	1	1	1
11	25664	Drive Sleeve — S.S. 7/8" Bore For NEMA 184C — 145TC — 143TC	1	1	1	1	1	1

### CLAMP

	23002	Clamp Assembly, for 5/8" sleeve — 56C frame — Incl.: Clamp	1	1	1	1	1	1
7		Clamp	2	2	2	2	2	2
27	21264	Capscrew — S.S. — 5/16"	2	2	2	2	2	2
32	21284	Hex Nut — S.S. — 5/16"	2	2	2	2	2	2
26	21238	Lockwasher — S.S. — 5/16"	2	2	2	2	2	2
	23003	Clamp Assembly — 7/8" sleeve — 18C — 145TC — 143TC	1	1	1	1	1	1
7		Clamp	2	2	2	2	2	2
27	21264	Capscrew — S.S. — 5/16"	2	2	2	2	2	2
32	21284	Hex Nut — S.S. — 5/16"	2	2	2	2	2	2
26	21238	Lockwasher — S.S. — 5/16"	2	2	2	2	2	2

### WEAR PLATE

20	23024	Wear Plate Assembly — Steel — Incl.: Wear Plate — Steel	1	1				
21	21249	Flat Head Screw — S.S. — 5/16"	2	2				
22	21248	Annular Gasket — 1/2"	2	2				
20	22270	Wear Plate Assembly — Aluminum — Incl.: Wear Plate — Aluminum			1	1		
21	21249	Flat Head Screw — S.S. — 5/16"			2	2		
22	21248	Annular Gasket — 1/2"			2	2		
20	22271	Wear Plate Assembly — Bronze — Incl.: Wear Plate — Bronze					1	1
21	21249	Flat Head Screw — S.S. — 5/16"					2	2
22	21248	Annular Gasket — 1/2"					2	2
29	21237	Acon Nut — S.S. — 5/16"	2	2	2	2	2	2

### SEAL

Be sure you specify whether you want the self-lubricated seal or the grease-lubricated seal.

10	22272	Seal Assembly — Self-lubricated — Incl.:	1	1	1	1	1	1
*10	22290	Seal Assembly — Grease Lubricated	1	1	1	1	1	1
	22313	Grease Cup N/S	1	1	1	1	1	1

### ADAPTOR

1	25904	Adaptor — Cast Iron	1	1				
1	25946	Adaptor — Aluminum			1	1		
1	25948	Adaptor — Bronze					1	1
1	26181	Adaptor — Cast Iron — Grease Seal Assembly	1		1			
35	21251	Capscrew 5/16" — Adaptor To Motor	4	4	4	4	4	4
N/S	21238	Lockwasher 5/16" — Adaptor Motor	4	4	4	4	4	4

\*Optional for special applications.



## MP PUMPS, INC.

34800 BENNETT • FRASER, MI 48026-1686  
(586) 293-8240 • FAX (586) 293-8469  
(800) 563-8008 • www.mppumps.com

## FORM 7052-F

PRINTED IN U.S.A. (8-97)



# FLOMAX 8

## 2" x 2" Self Priming Centrifugal Pump

FLOMAX® 8 self-priming centrifugal pumps are capable of creating vacuum sufficient to lift liquids from heights up to 25 feet above the source. Once primed, the pump's built in flapper valve will maintain a full column of liquid in the suction line.

A FLOMAX® 8 PumPAK® is a fully assembled and run tested pump end that can be easily coupled to a number of drivers such as hydraulic motors, 56C and 145TC frame motors and gas engines. A bearing pedestal is also available for T-frame motor or belt drive.

Standard features include stainless steel drive sleeve, stainless steel fasteners, renewable wearplate, and a semi-open dynamically balanced impeller.

The FLOMAX® series of pumps are commonly used in Industrial, OEM, Agricultural and Marine applications, such as: Bilge Pumps, Auxiliary Fire Pumps, Ballast Transfer Pumps, Washdown Pumps, Fertilizer and Pesticide Pumps, Applicators & Sprayers, Blending Pumps, Nurse Tanks, Bulk Transfer Pumps and much more.

ABS Type Approval for the Flomax 5 and 8 - [Download PDF](#)



### Application

- Agricultural
- Industrial
- Marine
- OEM

### Features

- Renewable wear plate
- Stainless steel drive sleeve
- Stainless steel fasteners
- Up to a 25' suction lift

## SPECIFICATIONS:

Suction And Discharge	2" x 2" NPT
Materials Of Construction	316 stainless steel, Aluminum, Bronze, Cast iron
Flow	Up to 150 GPM
Head Feet	UP to 100'
Impeller	5.0" max. diameter, semi-open
Motor	Up to 3 HP
Drive Options	Close coupled 56C, Engine mount 5.5 HP, Engine mount 6.5 HP, Close coupled 145TC, Pedestal, PumPAK® (without motor)
Seal	Special seal material combinations available (consult factory), Standard carbon / ceramic / Viton
Options	5 blade impeller available for higher flows, Base plate shown above is optional, Double seal available for dry run applications, Flanges not included on S.S. models, Hydraulic motor .37 cu. in.,

# FLOMAX 8

Hydraulic motor .45 cu. in., Hydraulic  
motor .58 cu. in.

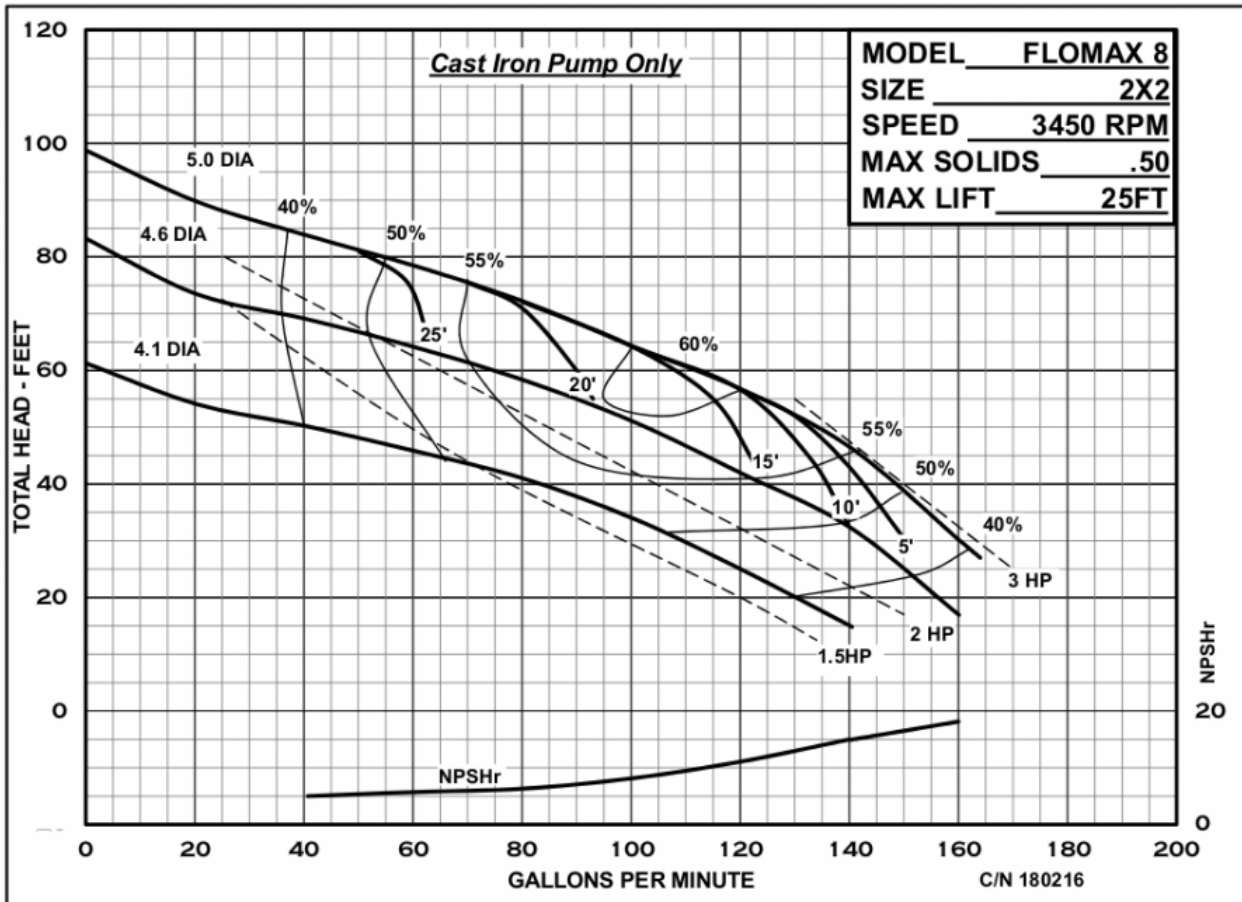
Max Solid Size

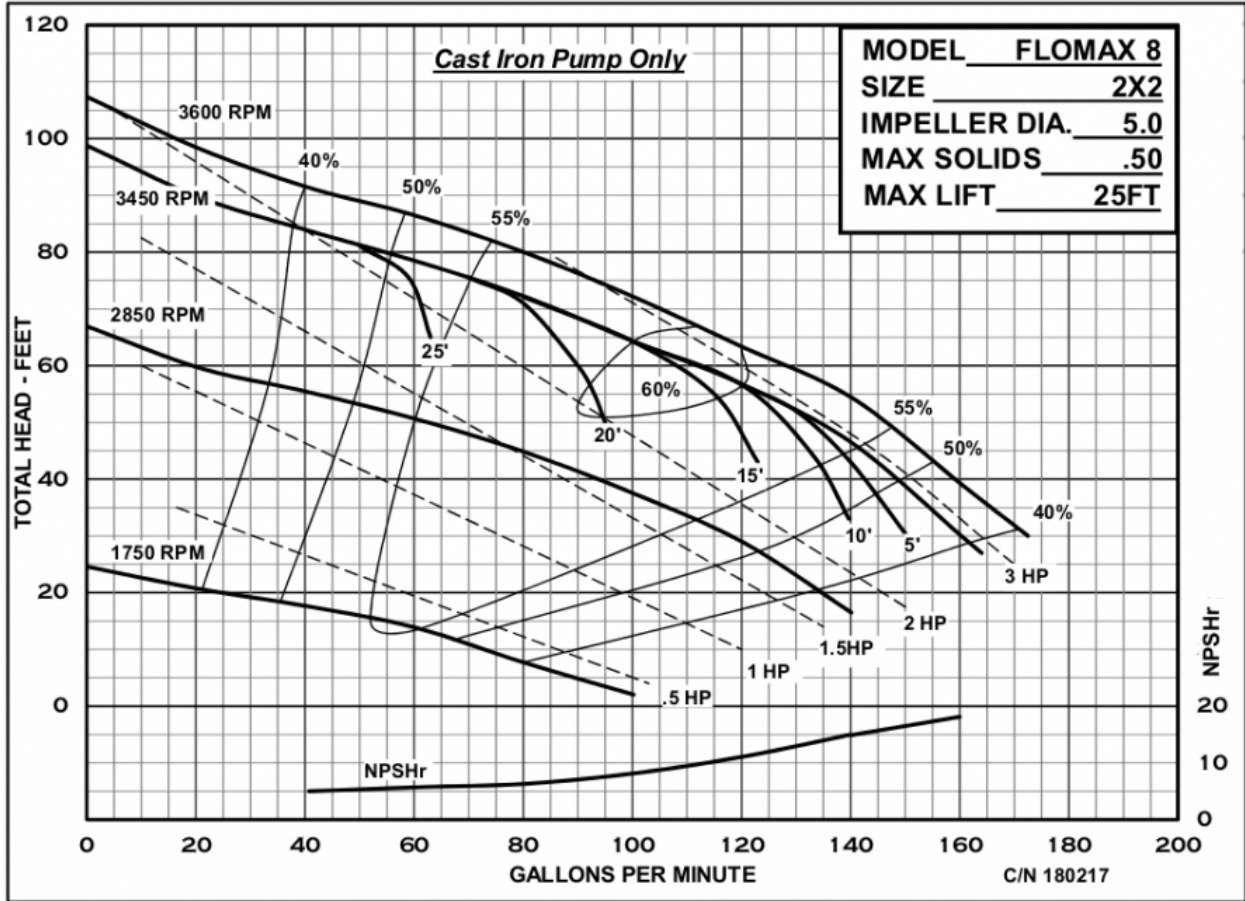
.56"

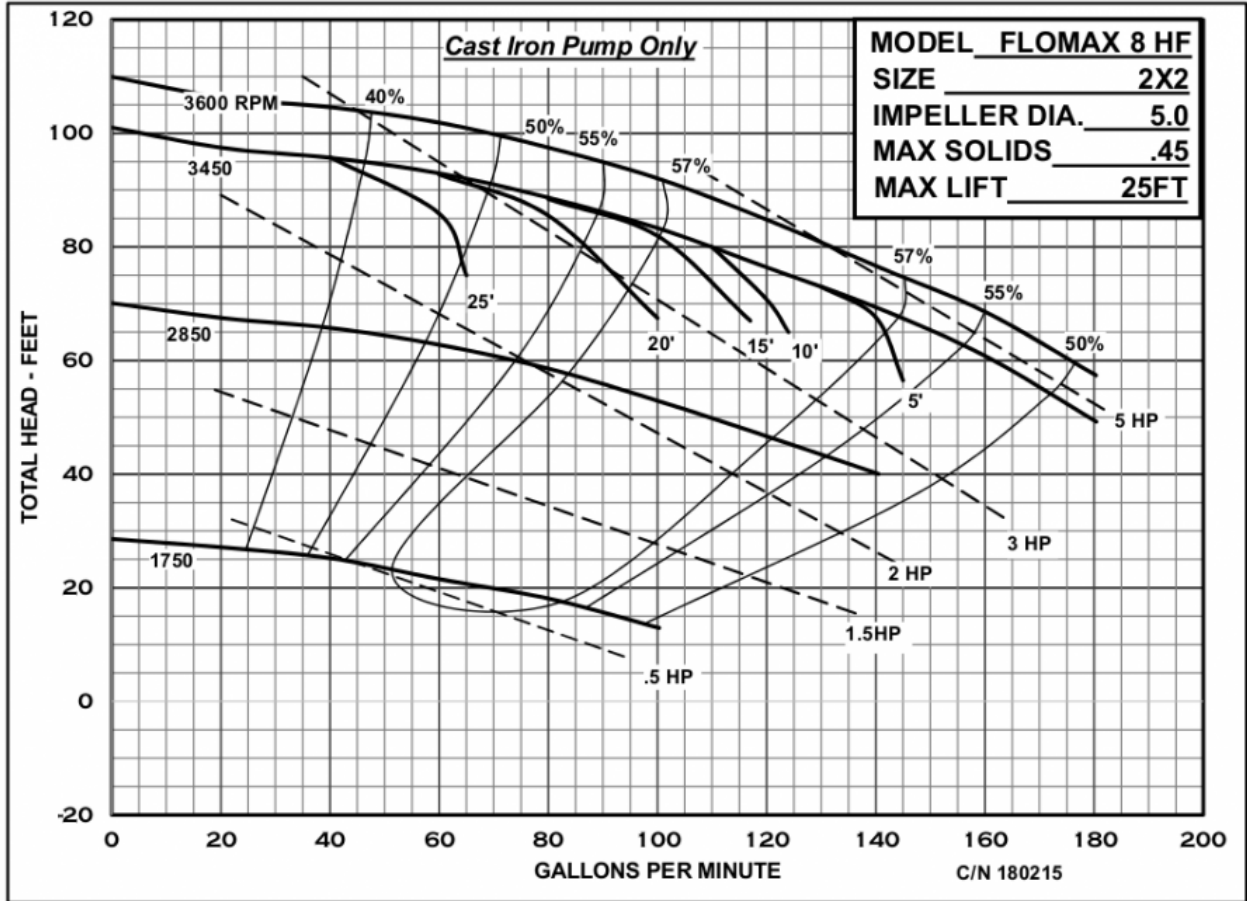


34800 BENNETT - FRASER, MI 48026-1686  
(586) 293-8240 - FAX (586) 293-8469  
(800) 563-8006 - [www.mppumps.com](http://www.mppumps.com)

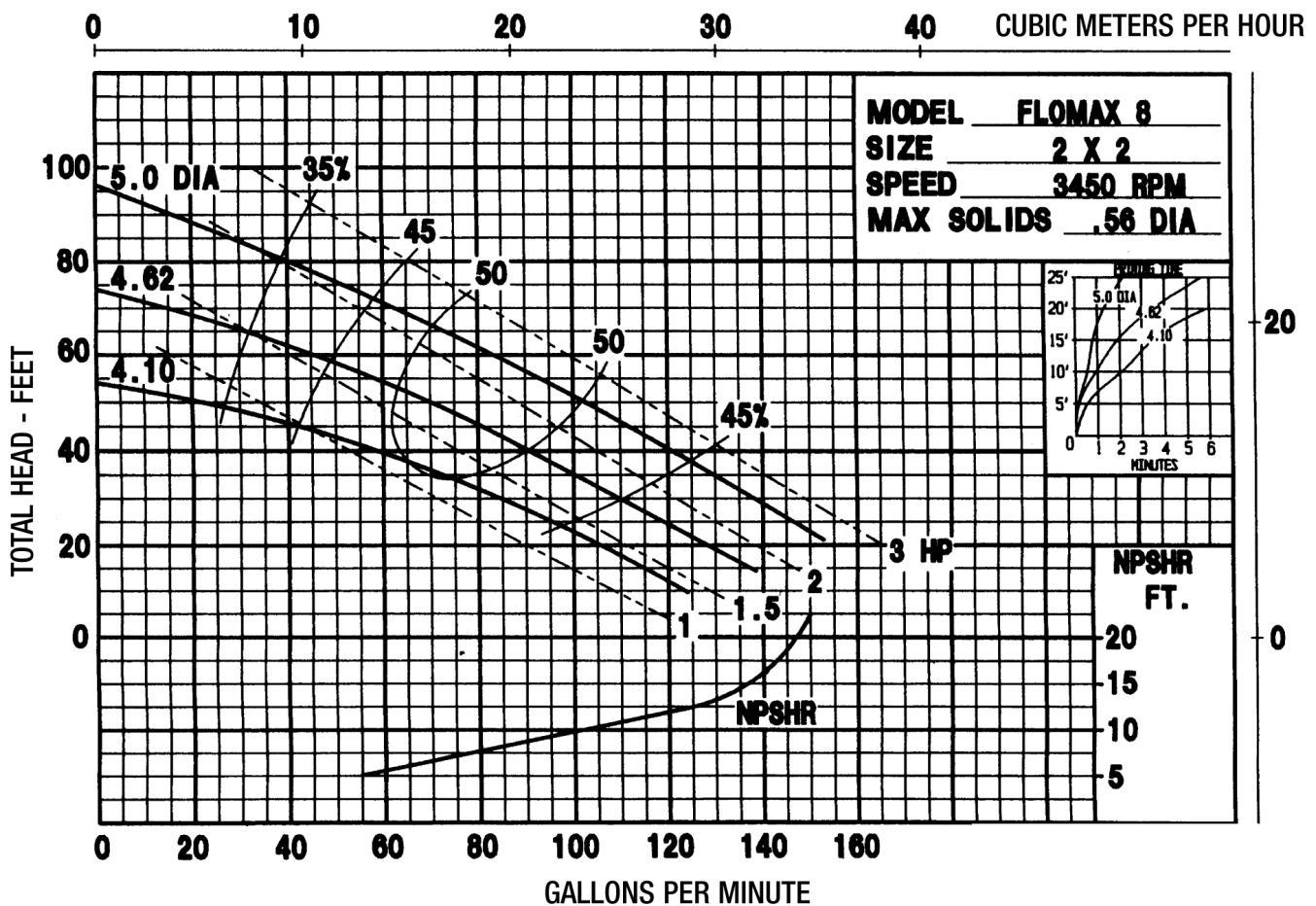
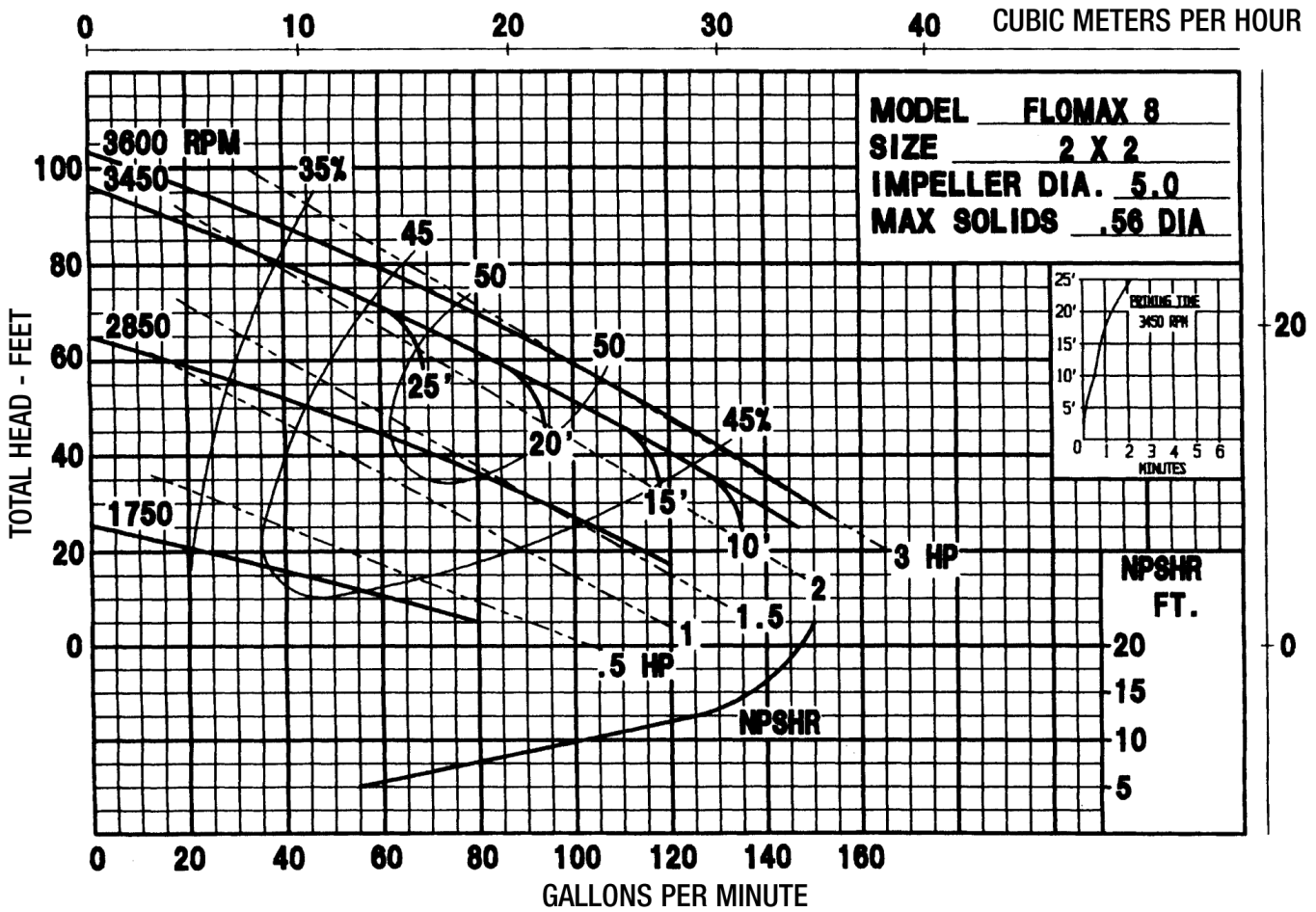
FLOMAX 8







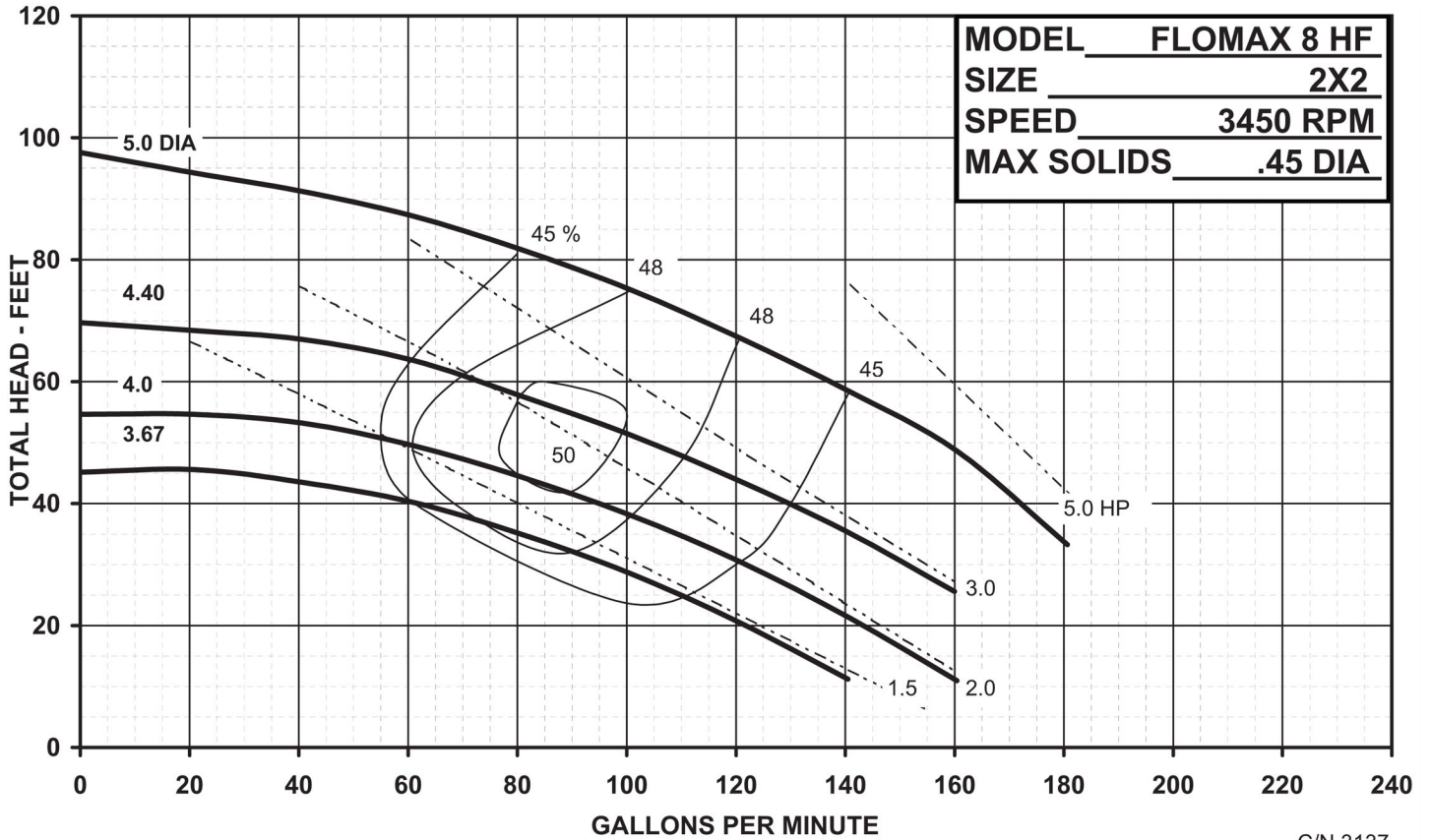
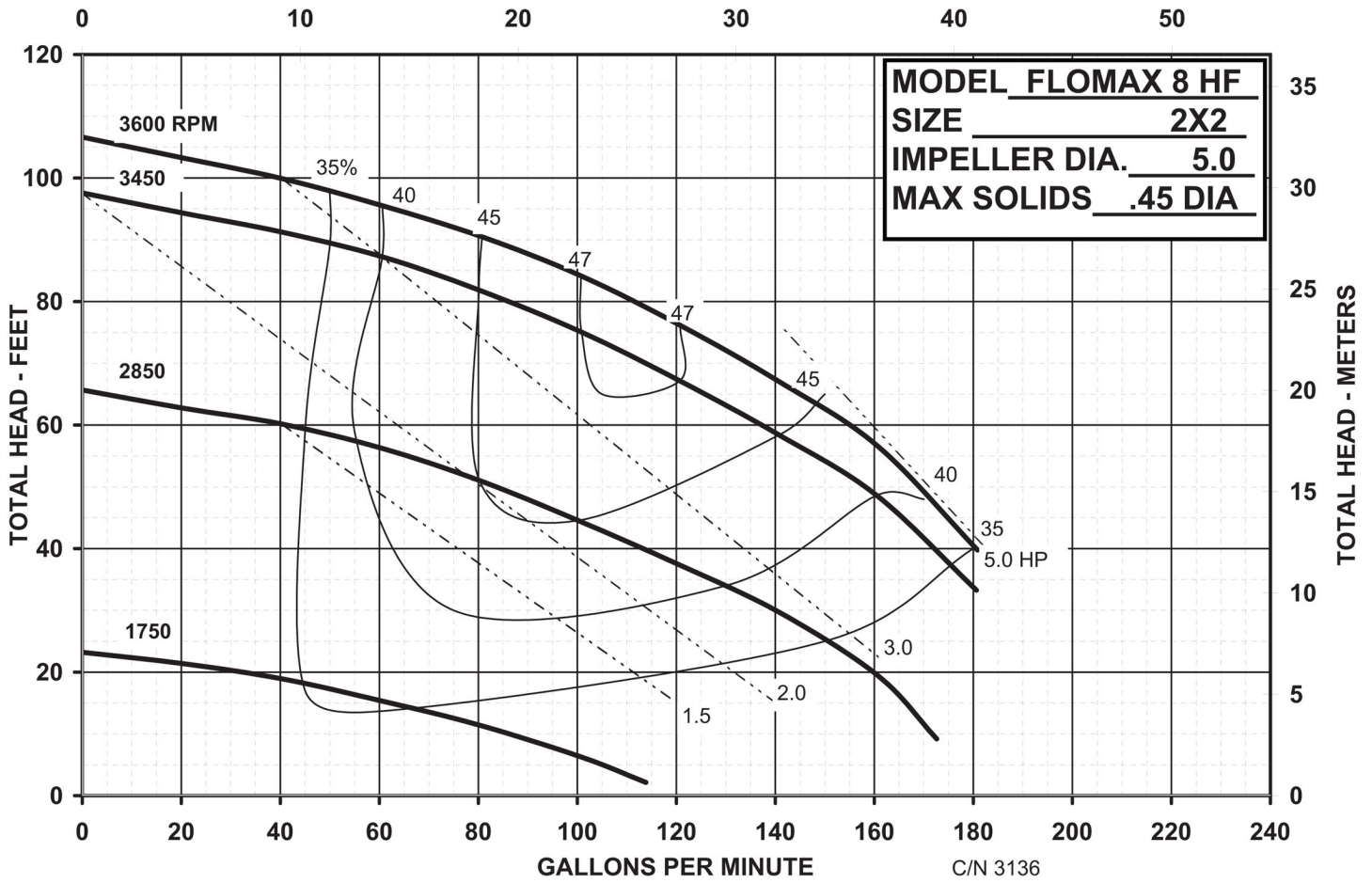
# FLOMAX 8



34800 BENNETT - FRASER, MI 48026-1686  
 (586) 293-8240 - FAX (586) 293-8469  
 (800) 563-8006 - www.mppumps.com

# FLOMAX 8

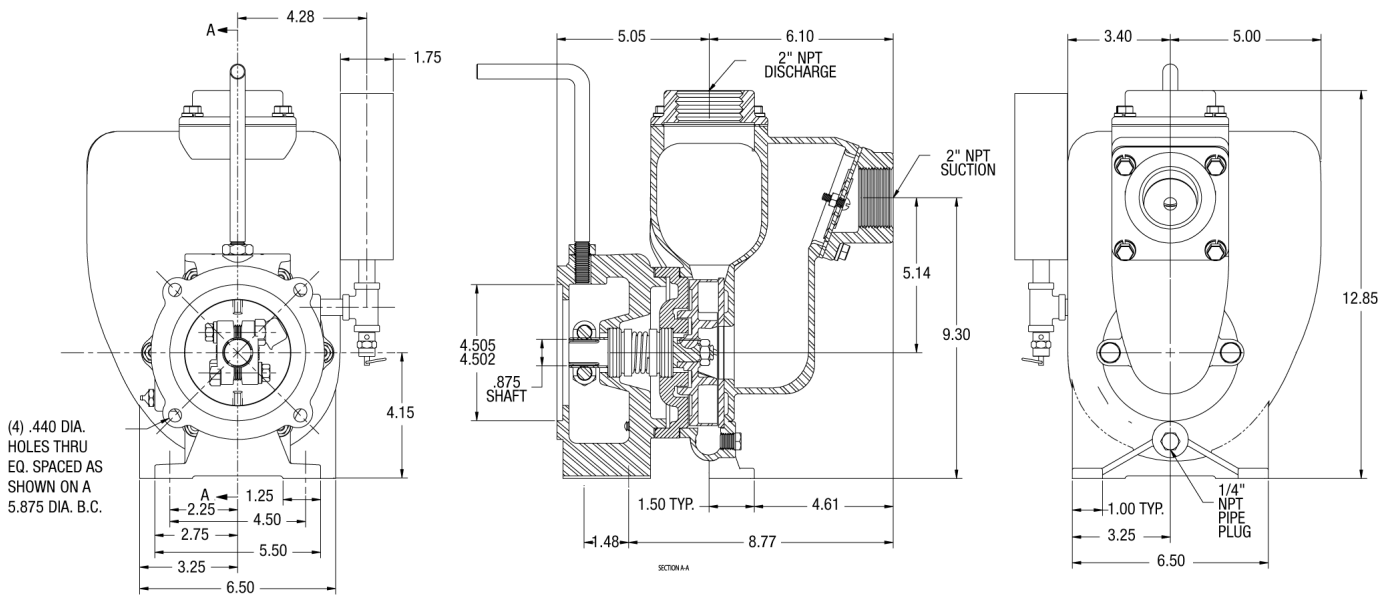
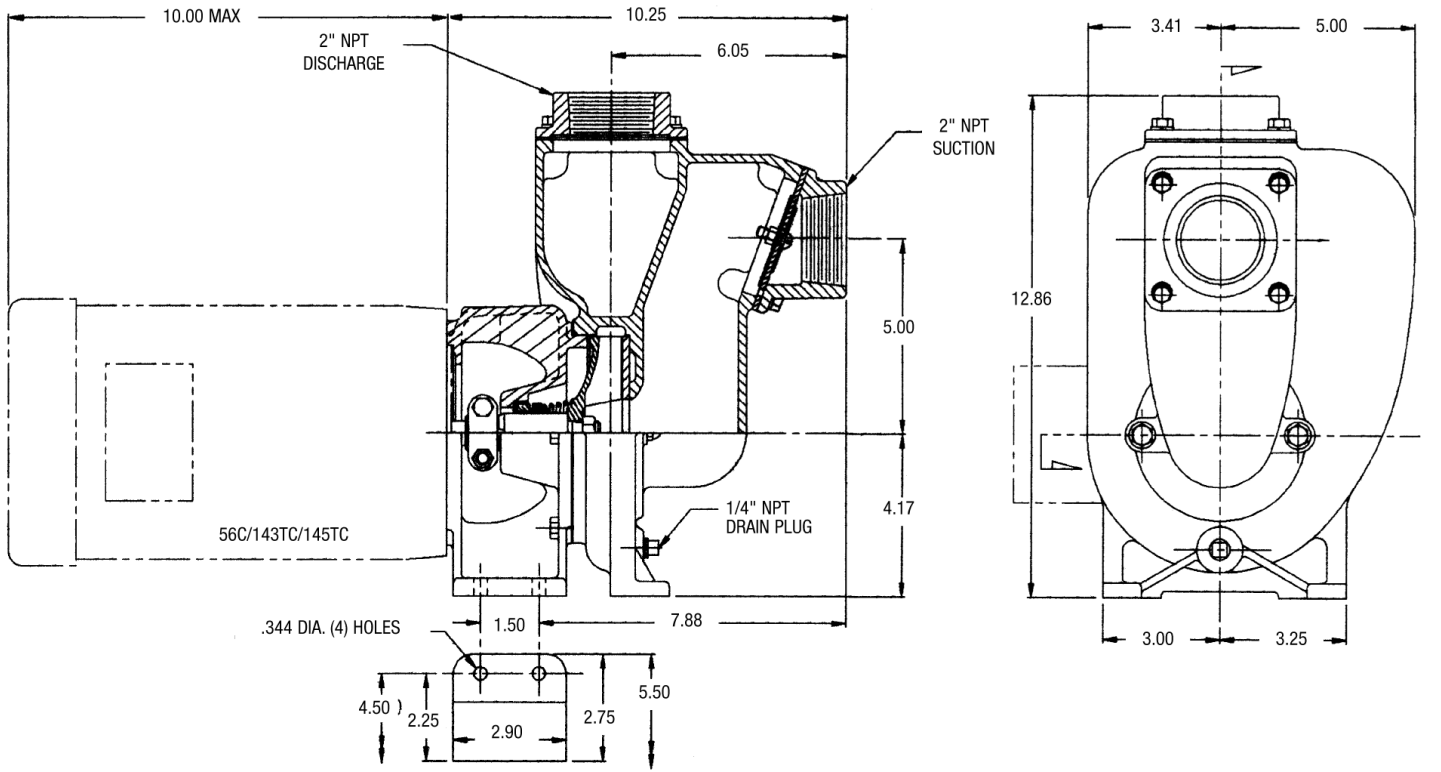
CUBIC METERS PER HOUR



34800 BENNETT - FRASER, MI 48026-1686  
 (586) 293-8240 - FAX (586) 293-8469  
 (800) 563-8006 - www.mppumps.com

FLOMAX 8

# FLOMAX 8

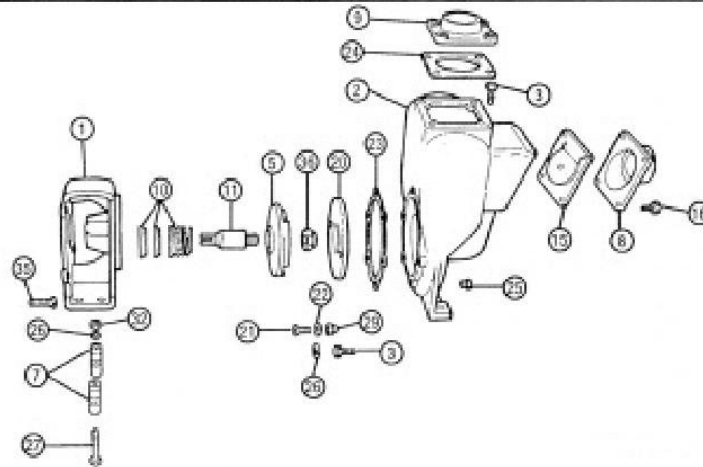




**MP PUMPS SERVICE PARTS LIST**

- Self Priming
- Electric Motor Drive
- Pumpak
- Close Coupled

**Flomax 5 1 1/2" x 1 1/2" Pipe Size**  
**Flomax 8 2" x 2" Pipe Size**



**IMPORTANT:** Read special instructions for item 10.  
 When ordering parts, specify model and serial number shown on nameplate.  
 N/S means not shown in exploded view of parts.

ITEM NO.	PART NO.	DESCRIPTION	QUANTITY REQUIRED PER MODEL							
			METAL		CAST IRON		ALUMINUM		BRONZE	
			FLOMAX		5	8	5	8	5	8
			MODEL NO.							
		7/8" sleeve		26074	25922	26262	26066	26268	26066	
		5/8" sleeve		25979	26079	26260	26264	26223	25984	

**HOUSING**

	23021	Housing Assembly Cast Iron — Incl.:		1	1				
2		Housing — Cast Iron		1	1				
3	24965	Capscrew — S.S. — 5/16" x 3/4"		6	6				
25	21267	Pipe Plug — 1/4"		1	1				
	32019	Housing Assembly R.H. Aluminum Inc.:				1	1		
2		Housing — Aluminum				1	1		
3	24965	Capscrew — S.S. — 5/16" x 3/4"				6	6		
25	21267	Pipe Plug — 1/4"				1	1		
	23020	Housing Assembly Housing — Bronze						1	1
2		Housing — Bronze						1	1
3	24965	Capscrew — S.S. — 5/16" x 3/4"						6	6
25	21267	Pipe Plug — 1/4"						1	1
16	21242	Capscrew — S.S. — 5/16" — Flanges	8	8	8	8	8	8	8
26	21238	Lockwasher — S.S. — 5/16" Housing to Suction — 4 Housing to Discharge — 4	8	8	8	8	8	8	8
15	23022	Flapper Assembly		1	1	1	1	1	1
23	22255	Gasket — Housing to Adapter		1	1	1	1	1	1
24	22256	Gasket — Outer to Housing		1	1	1	1	1	1

**FLANGES**

8	22263	Flange — Inlet — Cast Iron — 1-1/2"	1						
8	22287	Flange — Inlet — Cast Iron — 2"		1					
8	22261	Flange — Inlet — Aluminum — 1-1/2"				1			
8	22385	Flange — Inlet — Aluminum — 2"					1		
8	22262	Flange — Inlet — Bronze — 1-1/2"						1	



**MP PUMPS, INC.**

34800 BENNETT • FRASER, MI 48026-1686  
 (586) 293-8240 • FAX (586) 293-8469  
 (800) 563-8008 • www.mppumps.com

**FORM 7052-F**

PRINTED IN U.S.A. (8-97)

ITEM NO.	PART NO.	DESCRIPTION	QUANTITY REQUIRED PER MODEL						
			METAL	CAST IRON		ALUMINUM		BRONZE	
			FLOMAX	5	8	5	8	5	8
			MODEL NO.						
		7/8" sleeve	26074	25922	26262	26066	26268	26066	
		5/8" sleeve	25979	26079	26260	26264	26223	25964	

**FLANGES - Continued**

8	22386	Flange — Inlet — Bronze — 2"						1
9	22266	Flange — Outlet — Cast Iron — 1-1/2"	1					
9	22311	Flange — Outlet — Cast Iron — 2"		1				
9	22264	Flange — Outlet — Aluminum — 1-1/2"			1			
9	22309	Flange — Outlet — Aluminum — 2"				1		
9	22265	Flange — Outlet — Bronze — 1-1/2"					1	
9	22310	Flange — Outlet — Bronze — 2"						1

**IMPELLER**

5	22293	Impeller — Cast Iron — 5.0" Dia.	1	1				
5	24585	Impeller — Cast Iron — 4.6" Dia.						
5	25139	Impeller — Cast Iron — 4.1" Dia.						
5	22294	Impeller — Stainless Steel — (Optional)	1	1	1	1	1	1
5	22291	Impeller — Aluminum — 5.0" Dia.			1	1		
5	22292	Impeller — Bronze — 5.0" Dia.					1	1
35	22655	Impeller — Lock Nut — S.S. — 5"	1	1	1	1	1	1
11	22253	Drive Sleeve — S.S. 5/8" Bore For NEMA 56C	1	1	1	1	1	1
11	25664	Drive Sleeve — S.S. 7/8" Bore For NEMA 184C — 145TC — 143TC	1	1	1	1	1	1

**CLAMP**

	23002	Clamp Assembly, for 5/8" sleeve — 56C frame — Incl.:						
7		Clamp	1	1	1	1	1	1
27	21264	Cap screw — S.S. — 5/16"	2	2	2	2	2	2
32	21284	Hex Nut — S.S. — 5/16"	2	2	2	2	2	2
26	21238	Lockwasher — S.S. — 5/16"	2	2	2	2	2	2
	23003	Clamp Assembly — 7/8" sleeve — 18C — 145TC — 143TC						
7		Clamp	1	1	1	1	1	1
27	21264	Cap screw — S.S. — 5/16"	2	2	2	2	2	2
32	21284	Hex Nut — S.S. — 5/16"	2	2	2	2	2	2
26	21238	Lockwasher — S.S. — 5/16"	2	2	2	2	2	2

**WEAR PLATE**

20	23024	Wear Plate Assembly — Steel — Incl.:	1	1				
21		Wear Plate — Steel	1	1				
21	21249	Flat Head Screw — S.S. — 5/16"	2	2				
22	21248	Annular Gasket — 1/2"	2	2				
20	22270	Wear Plate Assembly — Aluminum — Incl.:			1	1		
21		Wear Plate — Aluminum			1	1		
21	21249	Flat Head Screw — S.S. — 5/16"			2	2		
22	21248	Annular Gasket — 1/2"			2	2		
20	22271	Wear Plate Assembly — Bronze — Incl.:					1	1
21		Wear Plate — Bronze					1	1
21	21249	Flat Head Screw — S.S. — 5/16"					2	2
22	21248	Annular Gasket — 1/2"					2	2
29	21237	Acorn Nut — S.S. — 5/16"	2	2	2	2	2	2

**SEAL**

Be sure you specify whether you want the self-lubricated seal or the grease-lubricated seal.

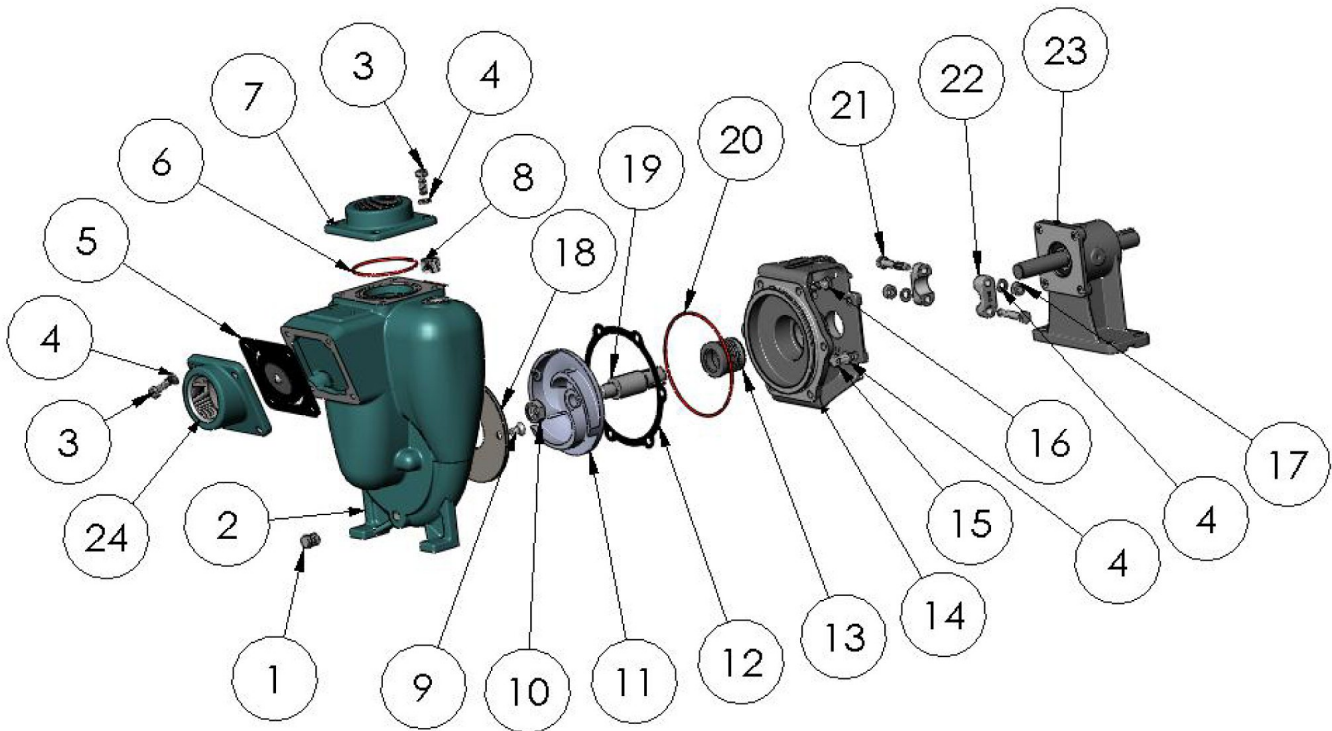
10	22272	Seal Assembly — Self-Lubricated — Incl.:	1	1	1	1	1	1
*10	22290	Seal Assembly — Grease Lubricated	1	1	1	1	1	1
	22313	Grease Cup N/S	1	1	1	1	1	1

**ADAPTOR**

1	25904	Adaptor — Cast Iron	1	1				
1	25946	Adaptor — Aluminum			1	1		
1	25948	Adaptor — Bronze					1	1
1	26181	Adaptor — Cast Iron — Grease Seal Assembly	1		1			
35	21251	Cap screw 5/16" — Adaptor To Motor	4	4	4	4	4	4
N/S	21238	Lockwasher 5/16" — Adaptor Motor	4	4	4	4	4	4

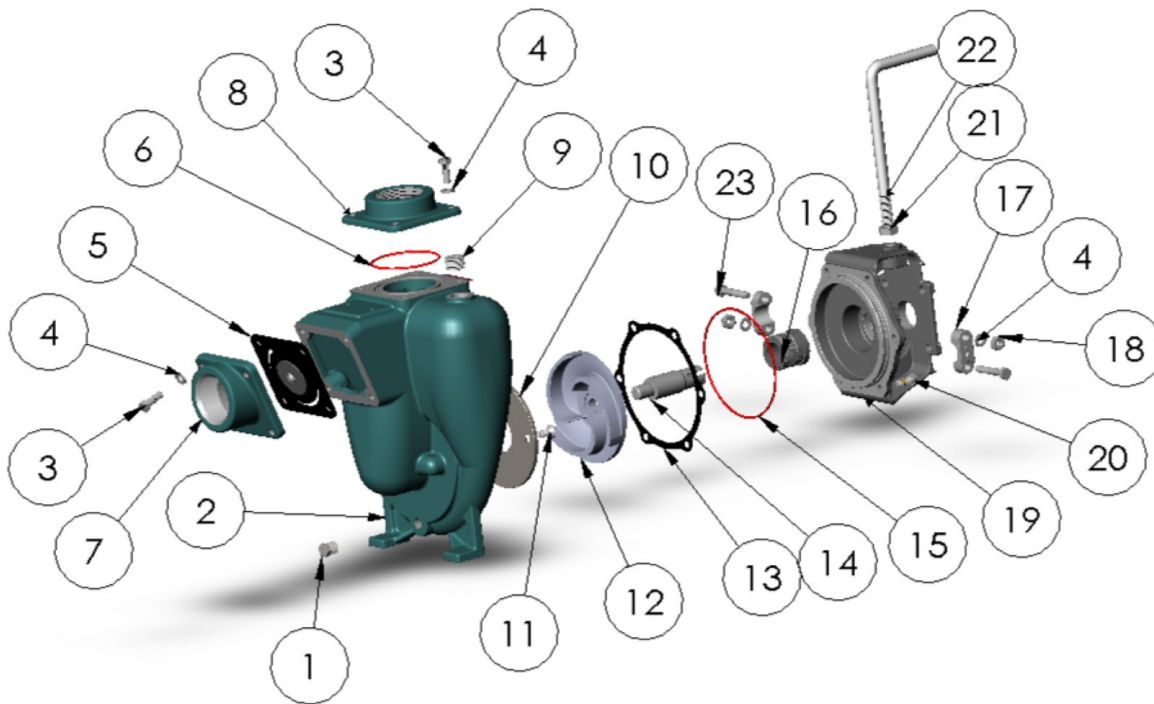
\*Optional for special applications.

 <b>MP PUMPS, INC.</b> 34800 BENNETT • FRASER, MI 48026-1686 (586) 293-8240 • FAX (586) 293-8469 (800) 563-8008 • www.mppumps.com	<b>FORM 7052-F</b> PRINTED IN U.S.A. (8-97)
---	--



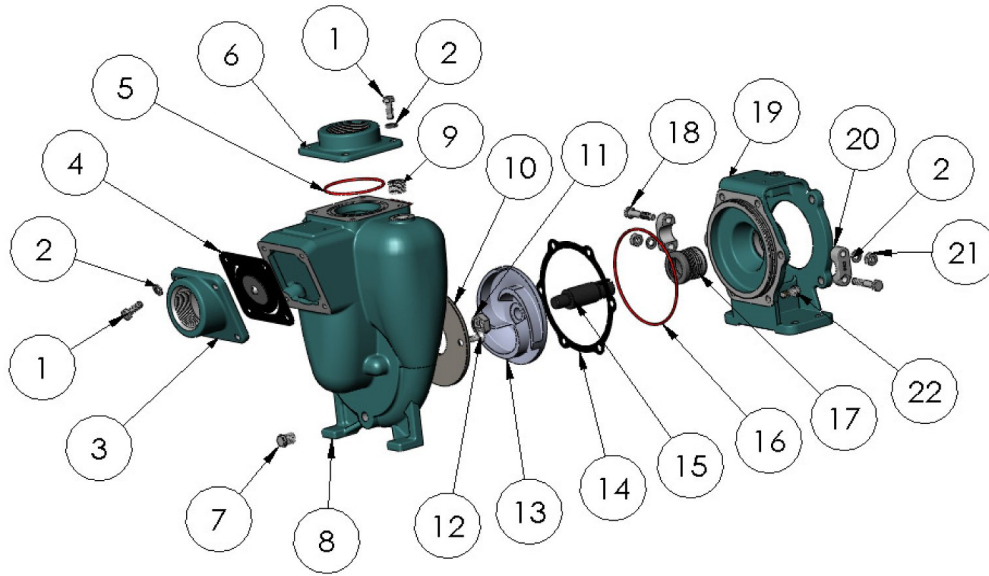
PART NO.	ITEM NO.	DESCRIPTION	QTY.	PART NO.	ITEM NO.	DESCRIPTION	QTY.
41475	1	PIPE PLUG - 1/4" NPT	2	* 22272	13	SEAL ASSY - T-2100 VITON	1
22251	2	HOUSING	1	22247	14	ADAPTER C.I.	1
21242	3	CAPSCREW - 5/16"-18 X 7/8	8	21278	15	CAPSCREW S.S. - 5/16-18 X .88	4
21238	4	LOCKWASHER - 5/16"	14	24965	16	CAPSCREW S.S. - 5/16-18 X .75 PATCH	6
* 23022	5	FLAPPER ASSY.	1	21284	17	HEXNUT S.S. - 5/16"-18	2
* 37141	6	O RING - VITON	1	* 22260	18	WEAR PLATE STL.	1
22311	7	DISCHARGE FLANGE - 2" NPT	1	22286	19	DRIVE SLEEVE S.S. - 3/4"	1
37140	8	FILL PLUG ZPS - 1/2" NPT	1	* 34555	20	O RING - VITON	1
37137	9	SCREW S.S. FHS - 5/16"-18 X .63	2	21264	21	CAPSCREW - 5/16"-18 X 1 3/4	2
22655	10	JAM NUT -S.S. - 5/8-18	1	21946	22	CLAMP S.S.	2
22293	11	IMPELLER C.I. - Ø5.00	1	26141	23	PEDESTAL ASSY. C.I. - H.D.	1
* 22255	12	GASKET - NI-2085	1	22387	24	SUCTION FLANGE C.I.	1

\* SUGGESTED REPLACEMENT PARTS



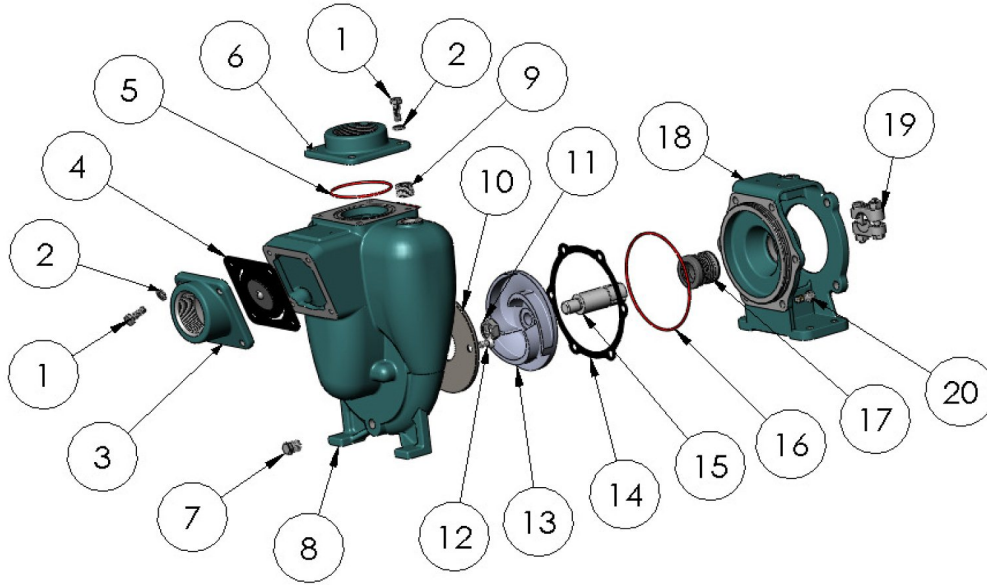
PART NO.	ITEM NO.	DESCRIPTION	QTY.	PART NO.	ITEM NO.	DESCRIPTION	QTY.
41475	1	PIPE PLUG - 1/4" NPT	1	22293	12	IMPELLER C.I. - Ø5.00	1
22251	2	HOUSING C.I.	1	* 22255	13	GASKET - NI-2085	2
21242	3	CAPSCREW S.S.- 5/16"-18 X 7/16	8	22286	14	DRIVE SLEEVE S.S - 3/4	1
21238	4	LOCKWASHER S.S.- 5/16"	10	* 34555	15	O RING - VITON	1
* 23022	5	FLAPPER ASSY. - BUNA	1	* 22272	16	SEAL ASSY T-21 00- VITON	1
* 37141	6	O RING - VITON	1	21946	17	CLAMP	2
22311	7	DISCHARGE FLANGE - 2" NPT	1	21284	18	HEXNUT - 5/16"-18	2
22387	8	SUCTION FLANGE - C.I.	1	22247	19	ADAPTOR C.I.	1
37140	9	FILL PLUG - 1/2" NPT	1	24965	20	HEX HEAD SCREW S.S. - 5/16-18	6
* 22260	10	WEAR PLATE STL.	1	22637	21	HEX JAM NUT STL. - 1/2-13	1
37137	11	SCREW S.S.- 5/16"-18 X .63	2	21938	22	HANDLE STL. - 10.25 LONG	1
				21264	23	HEX HD. CAPSCREW S.S.	2

\* SUGGESTED REPLACEMENT PARTS



ITEM NO.	PART NO.	DESCRIPTION	QTY.		ITEM NO.	PART NO.	DESCRIPTION	QTY.
1	21242	CAPSCREW S.S. - 5/16"-18 X 7/8"	8		13	22293	IMPELLER C - Ø5.0	1
2	21238	LOCKWASHER S.S. - 5/16	10	*	14	22255	GASKET - NI-2085	1
3	22387	SUCTION FLANGE C - 2" NPT	1		15	22253	DRIVE SLEEVE S.S. - 5/8	1
* 4	23022	FLAPPER ASSY - BUNA	1	*	16	34555	O-RING - VITON - AS-568-158	1
* 5	37141	O-RING - VITON	1	*	17	22272	SEAL ASSY. - T-2100 VITON	1
6	22311	DISCHARGE FLANGE B - 2" NPT	1		18	21264	CAPSCREW- 5/16"-18 X 1 3/4"	2
7	41475	PIPE PLUG STL. - 1/4" NPT	1		19	25904	ADAPTER C - CC MOTOR	1
8	22251	HOUSING C	1		20	21946	CLAMP S.S. - 3/4 & 5/8 SL	2
9	37140	FILL PLUG ZPS - 1/2" NPT	1		21	21284	HEX NUT S.S. - 5/16 -18	2
* 10	22260	WEAR PLATE STL.	1		22	24965	CAPSCREW- 5/16"-18 X 3/4" - PATCH	6
11	22655	JAM NUT S.S. - 5/8"-18	1					
12	37137	SCREW SS - 5/16"-18 X 5/8"	2					

\* SUGGESTED REPLACEMENT PARTS



ITEM NO.	PART NO.	DESCRIPTION	QTY.		ITEM NO.	PART NO.	DESCRIPTION	QTY.
1	21242	CAPSCREW S.S. - 5/16"-18 X 7/8"	8		11	22655	JAM NUT S.S. - 5/8"-18	1
2	21238	LOCKWASHER S.S. - 5/16	10		12	37137	SCREW SS - 5/16"-18 X 5/8"	2
3	22387	SUCTION FLANGE C - 2" NPT	1		13	22293	IMPELLER C - Ø5.0	1
* 4	23022	FLAPPER ASSY - BUNA	1	*	14	22255	GASKET - NI-2085	1
* 5	37141	O-RING - VITON	1		15	25664	DRIVE SLEEVE S.S. - 7/8	1
6	22311	DISCHARGE FLANGE B - 2" NPT	1	*	16	34555	O-RING - VITON - AS-568-158	1
7	41475	PIPE PLUG STL. - 1/4" NPT	1	*	17	22272	SEAL ASSY. - T-2100 VITON	1
8	22251	HOUSING C	1		18	25904	ADAPTER C - CC MOTOR	1
9	37140	FILL PLUG ZPS - 1/2" NPT	1		19	33003	CLAMP ASSY. S.S. - 7/8 SL	2
* 10	22260	WEAR PLATE STL.	1		20	24965	CAPSCREW- 5/16"-18 X 3/4" - PATCH	6

\* SUGGESTED REPLACEMENT PARTS



# FLOMAX 10

## 2" x 2" Self Priming Centrifugal Pump

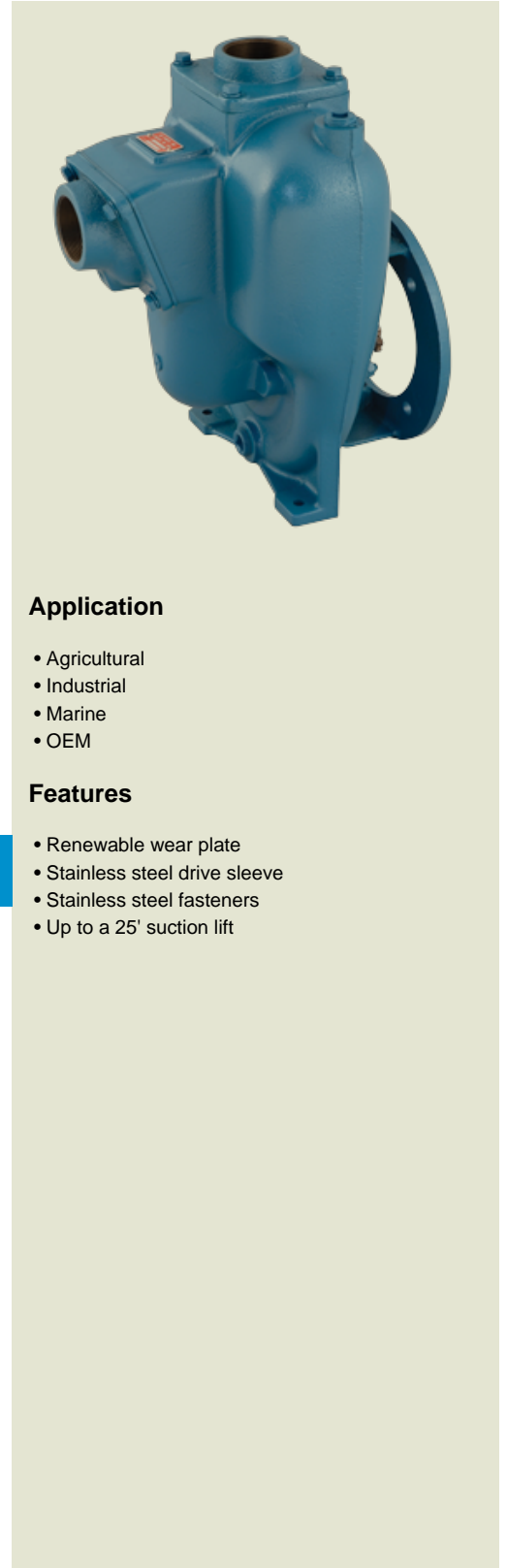
FLOMAX® 10 self-priming centrifugal pumps are capable of creating vacuum sufficient to lift liquids from heights up to 25 feet above the source. Once primed, the pump's built in flapper valve will maintain a full column of liquid in the suction line.

A FLOMAX® 10 PumPAK® is a fully assembled and run tested pump end that can be easily coupled to a number of drivers such as hydraulic motors, 182TC and 184TC frame motors and gas engines. A bearing pedestal is also available for T-frame motor or belt drive.

Standard features include stainless steel drive sleeve, stainless steel fasteners, renewable wear plate, and a semi-open dynamically balanced impeller.

The FLOMAX® series of pumps are commonly used in Industrial, OEM, Agricultural and Marine applications, such as: Bilge Pumps, Auxiliary Fire Pumps, Ballast Transfer Pumps, Washdown Pumps, Fertilizer and Pesticide Pumps, Applicators & Sprayers, Blending Pumps, Nurse Tanks, Bulk Transfer Pumps and much more.

ABS Type Approval for the Flomax 15 and 10 - [Download PDF](#)



### Application

- Agricultural
- Industrial
- Marine
- OEM

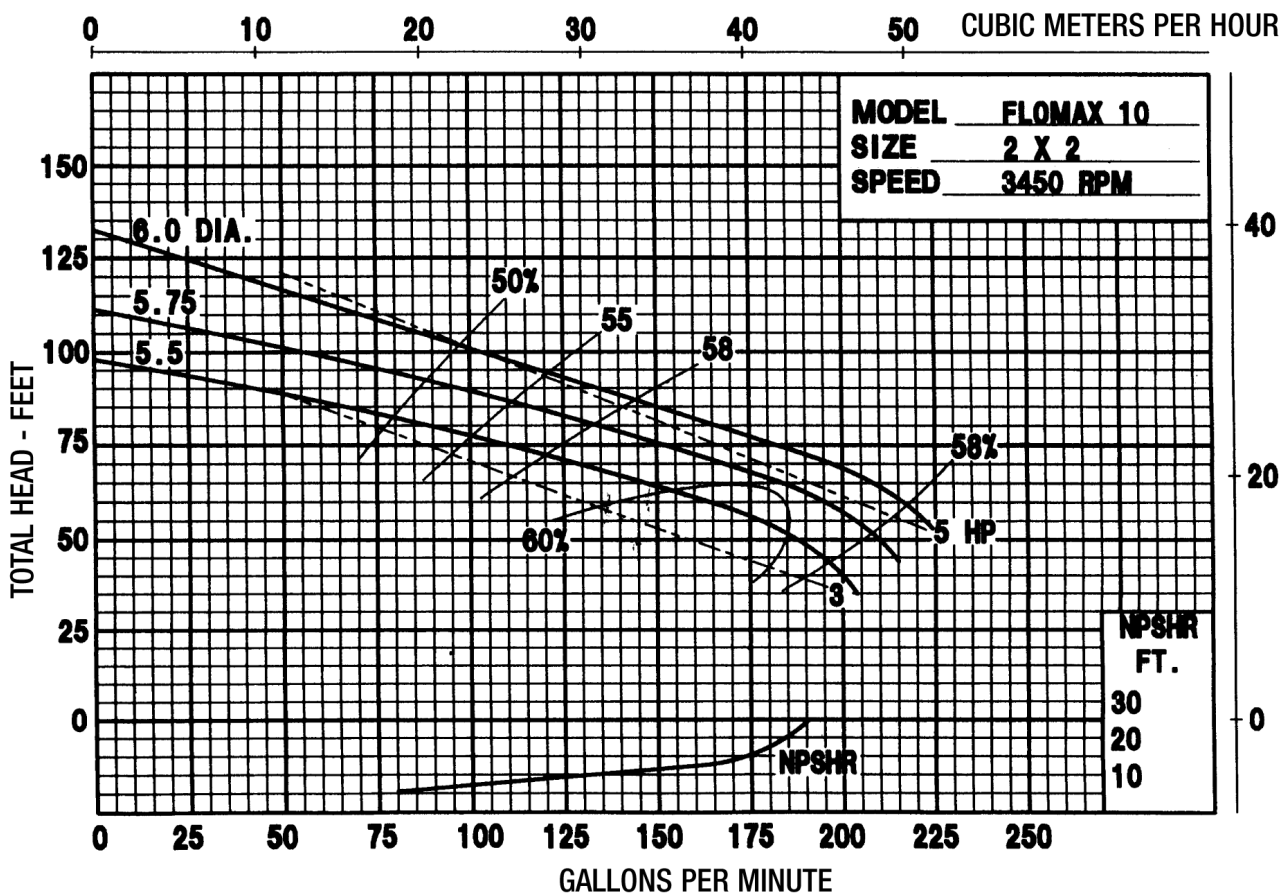
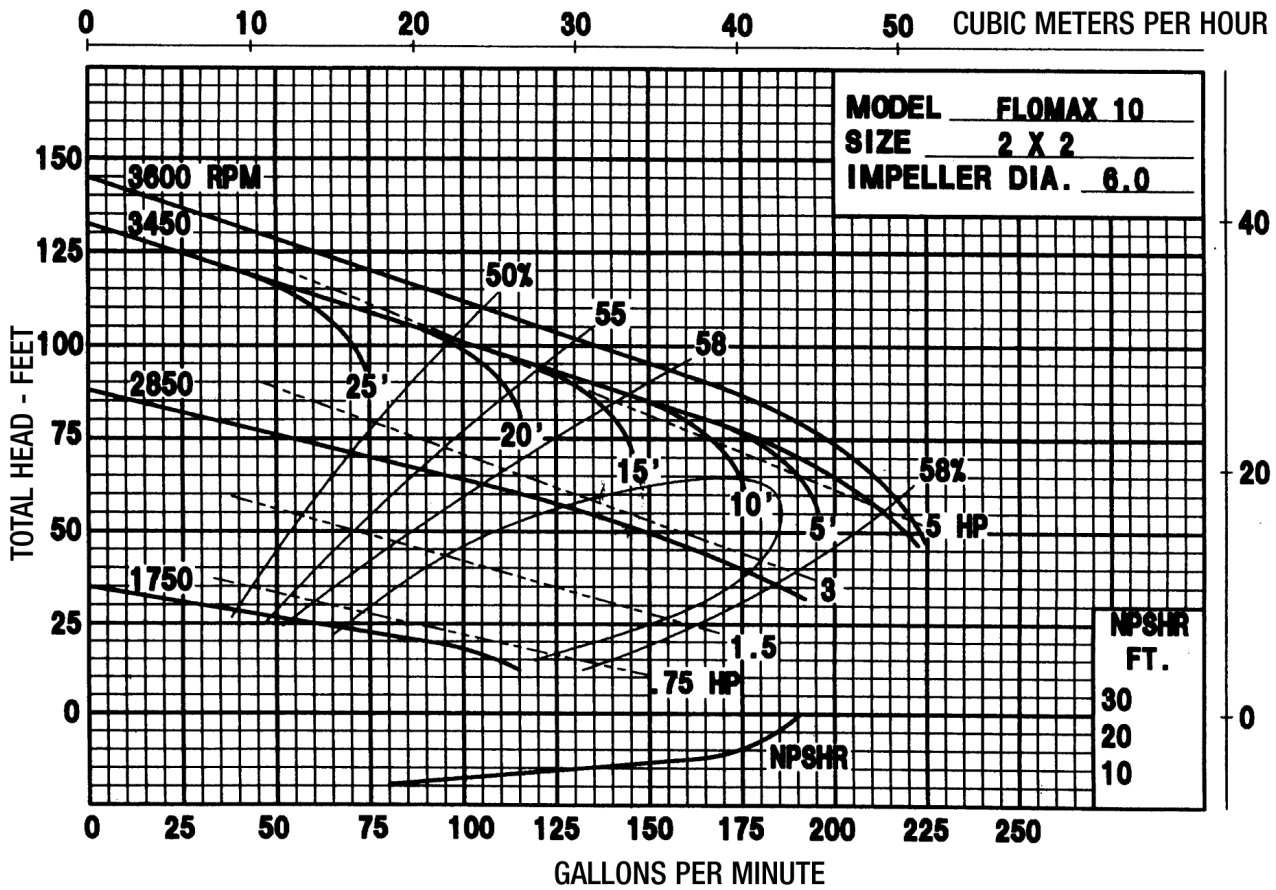
### Features

- Renewable wear plate
- Stainless steel drive sleeve
- Stainless steel fasteners
- Up to a 25' suction lift

## SPECIFICATIONS:

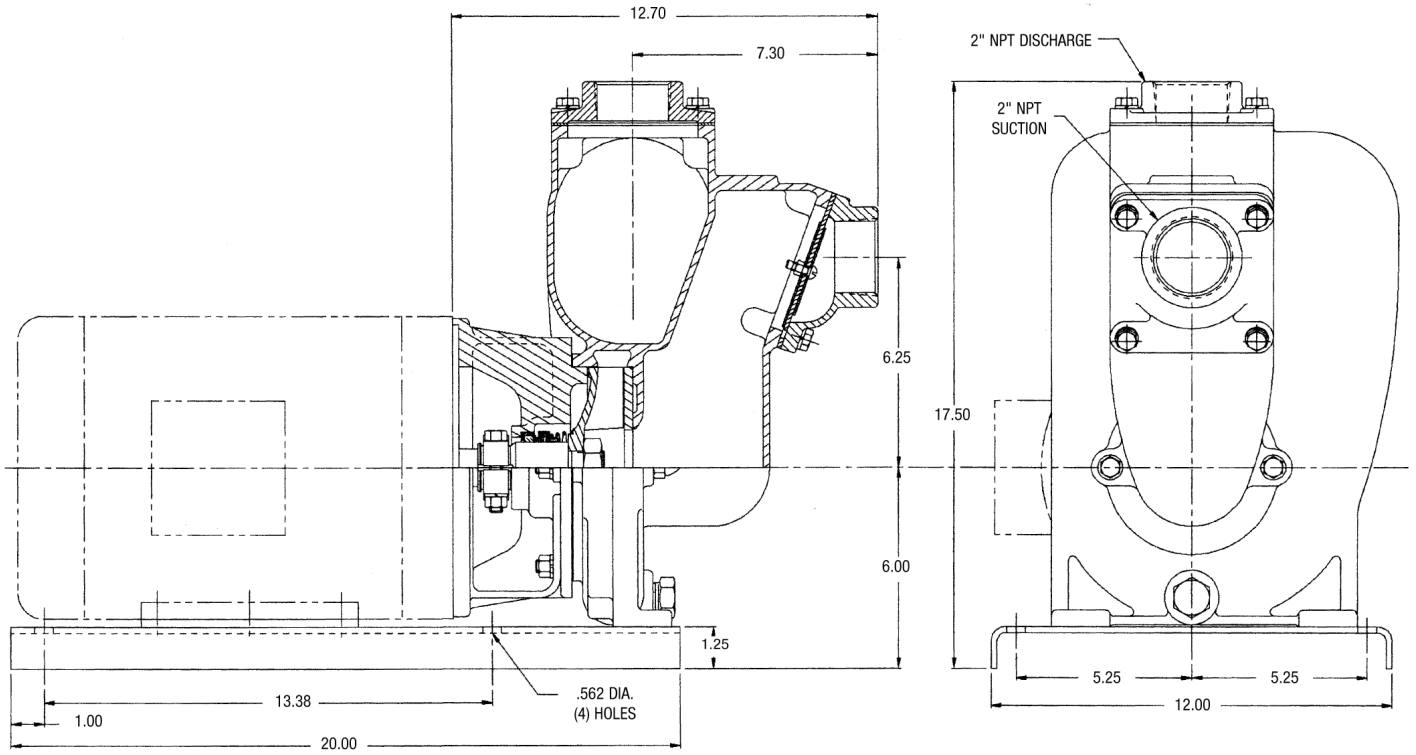
Suction And Discharge	2" x 2" NPT
Materials Of Construction	Bronze, Cast iron
Flow	Up to 225 GPM
Head Feet	Up to 145'
Impeller	6.0" max. diameter, semi-open
Motor	Up to 7.5 HP
Drive Options	Close coupled 184TC, Engine mount 11 HP, Engine mount 13 HP, Engine mount 5.5 HP, Engine mount 6.5 HP, Pedestal, PumPAK® (without motor)
Seal	Special seal material combinations available (consult factory), Standard carbon / ceramic / Viton
Options	Base plate pictured above is optional, Double seal available for dry run applications, Hydraulic motor .73 cu. in.
Max Solid Size	.625"

# FLOMAX 10



34800 BENNETT - FRASER, MI 48026-1686  
 (586) 293-8240 - FAX (586) 293-8469  
 (800) 563-8006 - www.mppumps.com

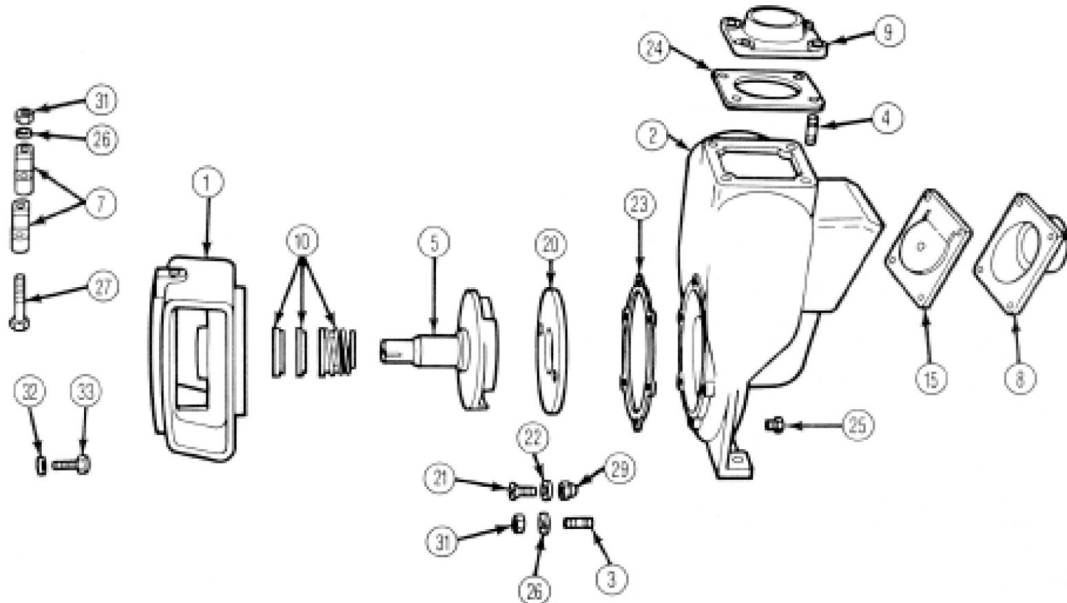
# FLOMAX 10



**MP PUMPS SERVICE PARTS LIST**

- Self-Priming      ● Pumpak
- Close Coupled Electric Motor Drive

**Flomax 10 2" x 2" Pipe Size**  
**Flomax 15 3" x 3" Pipe Size**



**IMPORTANT:** When ordering parts, specify model and serial number shown on nameplate.  
 N/S means "not shown" in exploded view of parts.

ITEM	PART NO.	DESCRIPTION	QUANTITY REQUIRED PER MODEL			
			CAST IRON			
			FLOMAX 10-2"	21366	21421	21364
FLOMAX 15-3"	21384	21428	21382	21383		
<b>HOUSING</b>						
2	24304	Housing Assembly - Cast Iron - Inc:	1	1		
2	22351	Housing - Cast Iron	1	1		
3	21261	Stud - S.S. - 3/8"	14	14		
		6 - Housing to Adaptor				
		8 - Inlet and Outlet				
25	21267	Drain Plug - S.S. - 1/4" NPT	1	1		
2	24302	Housing Assembly - Aluminum - Inc:			1	
2	22349	Housing - Aluminum			1	
3	21261	Stud - S.S. - 3/8"			14	
		6 - Housing to Adaptor				
		8 - Inlet and Outlet				
25	21267	Drain Plug - 1/4" NPT			1	
2	24303	Housing Assembly - Bronze - Inc:				1
2	22350	Housing - Bronze				1
3	21721	Stud - 3/8" - B				14
		6 - Housing to Adaptor				
		8 - Inlet and Outlet				
25	21186	Drain Plug - S.S. - 1/4" NPT				1
4	21291	Cap Screw - 3/8"	8	8	8	
31	21268	Hex Nut - S.S. - 3/8"	14	14	14	
		6 - Adaptor to Housing				
		4 - Inlet Flange				
		4 - Outlet Flange				
31	21230	Hex Nut - Bronze - 3/8"				14
26	21266	Lockwasher - S.S. - 3/8"	14	14	14	
		6 - Adaptor to Housing				
		4 - Inlet Flange				
		4 - Outlet Flange				
26	26051	Lockwasher - Bronze - 3/8"				14
15	23040	Flapper Assembly	1	1	1	1
23	22240	Gasket - Housing to Adaptor	4	4	4	4
24	22358	Gasket - Outlet Flange	1	1	1	1

**MP PUMPS, INC.**  
 34800 BENNETT • FRASER, MI 48026-1686  
 (586) 293-8240 • FAX (586) 293-8469  
 (800) 563-8006 • www.mppumps.com

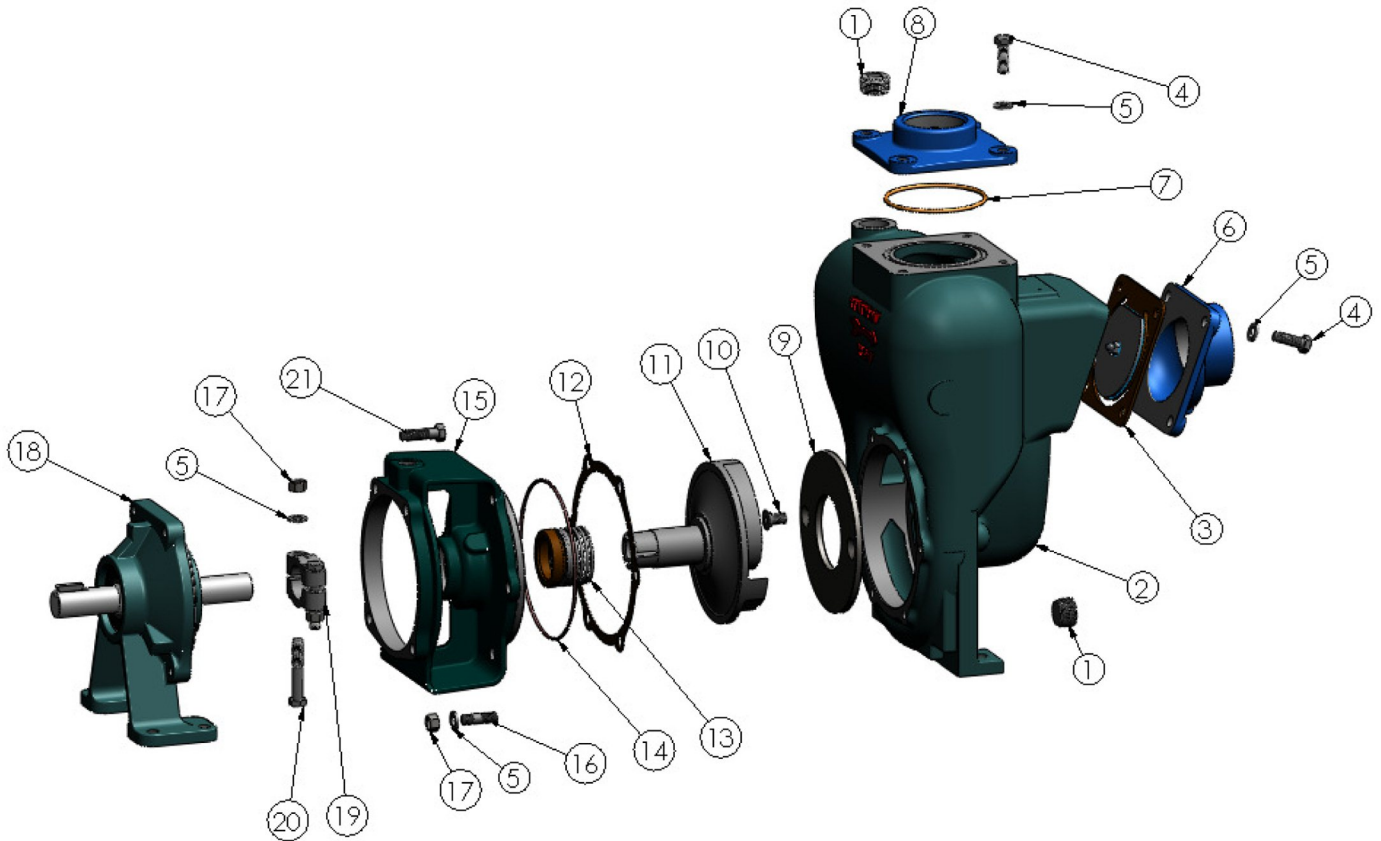
**FORM 7006-C**

PRINTED IN U.S.A.

ITEM	PART NO.	DESCRIPTION	QUANTITY REQUIRED PER MODEL			
			CAST IRON		ALUMINUM	BRONZE
			FLOMAX 10-2"	21366	21421	21364
FLOMAX 15-3"	21384	21428	21382	21383		
<b>FLANGES</b>						
8	22369	Flange - 2" - Inlet - Cast Iron	1	1		
8	22367	Flange - 2" - Inlet - Aluminum			1	
8	22368	Flange - 2" - Inlet - Br.				1
8	22468	Flange - 3" - Inlet - Cast Iron	1	1		
8	22466	Flange - 3" - Inlet - Aluminum			1	
8	22467	Flange - 3" - Inlet - Br.				1
9	22372	Flange - 2" - Outlet - Cast Iron	1	1		
9	22370	Flange - 2" - Outlet - Aluminum			1	
9	22371	Flange - 2" - Outlet - Br.				1
9	22471	Flange - 3" - Outlet - Cast Iron	1	1		
9	22469	Flange - 3" - Outlet - Aluminum			1	
9	22470	Flange - 3" - Outlet - Br.				1
<b>WEAR PLATE</b>						
	22376	Wear Plate Assembly - Steel - Inc:	1	1		
20	22244	Wear Plate - Steel	1	1		
21	21262	Flat Head Screw - S.S. - 3/8"	2	2		
22	21271	Annular Gasket - 5/8"	2	2		
	22374	Wear Plate Assembly - Aluminum - Inc:			1	
20	22242	Wear Plate - Aluminum			1	
21	21262	Flat Head Screw - S.S. - 3/8"			2	
22	21271	Annular Gasket - 5/8"			2	
	22375	Wear Plate Assembly - Bronze - Inc:				1
20	22243	Wear Plate - Bronze				1
21	22360	Flat Head Screw - S.S. - 3/8"				2
22	21271	Annular Gasket - 5/8"				2
29	21263	Acom Nut - S.S. - Wear Plate - 3/8"	2	2	2	
29	26053	Acom Nut - Bronze - Wear Plate 3/8"				2
<b>IMPELLER</b>						
5	23386	Impeller Assembly - Cast Iron - Inc:				
	22417	Locknut - 1-14	1	1		
	22435	Sleeve - 1-1/8" Bore	1	1		
	22499	Impeller - Cast Iron	1	1		
5	23384	Impeller Assembly - Aluminum - Inc:			1	
	22417	Locknut - 1-14			1	
	22435	Sleeve - 1-1/8" Bore			1	
	22497	Impeller - Aluminum			1	
5	23385	Impeller Assembly - Br. - Inc:				1
	22417	Locknut - 1-14				1
	22435	Sleeve - 1-1/8" Bore				1
	22498	Impeller - Br.				1
N/S	22404	Shim - Impeller - S.S. - 3/4"	1	1	1	1
<b>CLAMP</b>						
	23039	Impeller Clamp Assembly - Inc:	1	1	1	1
7	22356	Clamp	2	2	2	2
26	21266	Lockwasher - S.S. - 3/8"	2	2	2	2
27	21269	Capscrew - S.S. - 3/8"	2	2	2	2
31	21268	Hex Nut - S.S. - 3/8"	2	2	2	2
27	21269	Capscrew - S.S. - Clamp - 3/8"	2	2	2	2
<b>SEAL</b>						
10	22361	Seal Assembly - Self-lubricated	1	1	1	1
<b>ADAPTOR</b>						
1	22433	Adaptor - Cast Iron	1	1		
1	22431	Adaptor - Aluminum			1	
1	22432	Adaptor - Bronze				1
32	21246	Capscrew - S.S. - Adaptor to Motor - 1/2"	4	4	4	4
33	21254	Lockwasher - S.S. - Adaptor to Motor	4	4	4	4

	<b>MP PUMPS, INC.</b> TECUMSEH PRODUCTS COMPANY 34800 BENNETT DRIVE - FRASER, MI 48026-1686 (586) 293-8240 • FAX (586) 293-8469 (800) 563-8006	<b>FORM 7006-C</b>  PRINTED IN U.S.A.
---	--	---

## 21363



ITEM NO.	PART NO.	DESCRIPTION	QTY.		ITEM NO.	PART NO.	DESCRIPTION	QTY.
1	41481	PIPE PLUG C.I. - 3/4" NPT	2	*	12	22240	GASKET .032 - NI-2085	1
2	22351	HOUSING C.I.	1	*	13	22361	SEAL ASSY 1.5 TYPE 21 - VITON	1
3	23040	FLAPPER ASSY. BUNA	1	*	14	29715	O RING - VITON	1
4	21291	CAPSCREW S.S. - 3/8-16 X 1.13	8		15	22348	ADAPTER C.I.	1
5	21266	LOCKWASHER S.S. - 3/8	4		16	21260	STUD 3/8-16 X 1.32 S.S.	6
6	22369	SUCTION FLANGE - C.I.	1		17	21268	HEXNUT S.S. - 3/8-16	8
7	37138	O RING	1		18	26163	PEDESTAL ASSY. C	1
8	22372	DISCHARGE FLANGE - C.I.	1		19	22356	CLAMP S.S. - 1"	2
9	22244	WEAR PLATE STEEL	1		20	21269	CAPSCREW S.S. - 3/8-16 X 2.25	2
10	37115	FLAT HD SCREW S.S. - 3/8-16	2		21	21259	CAPSCREW HEX HEAD S.S. - 3/8-16 X 1.38	4
11	23038	IMPELLER DUCTILE - 6.0 DIA.	1					

\*RECOMMENDED REPLACEMENT PARTS



# FLOMAX 15

## 3" x 3" Self Priming Centrifugal Pump

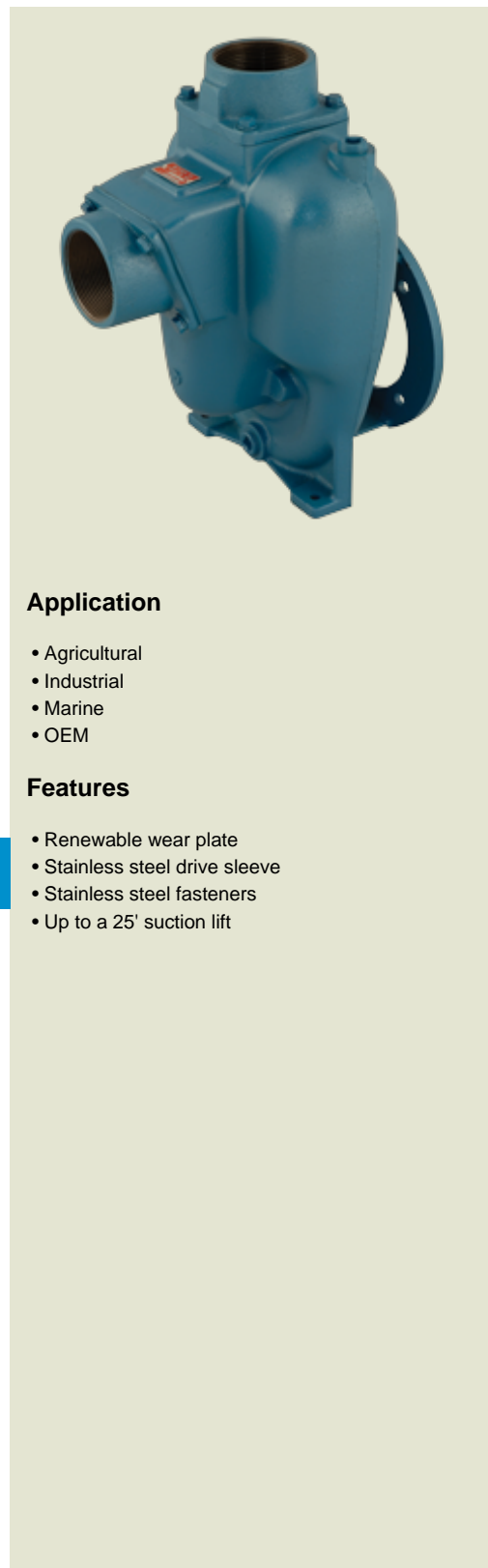
FLOMAX® 15 self-priming centrifugal pumps are capable of creating vacuum sufficient to lift liquids from heights up to 25 feet above the source. Once primed, the pump's built in flapper valve will maintain a full column of liquid in the suction line.

A FLOMAX® 15 PumPAK® is a fully assembled and run tested pump end that can be easily coupled to a number of drivers such as hydraulic motors, 184TC and 215C frame motors and gas engines. A bearing pedestal is also available for T-frame motor or belt drive.

Standard features include stainless steel drive sleeve, stainless steel fasteners, renewable wear plate, and a semi-open dynamically balanced impeller.

The FLOMAX® series of pumps are commonly used in Industrial, OEM, Agricultural and Marine applications, such as: Bilge Pumps, Auxiliary Fire Pumps, Ballast Transfer Pumps, Washdown Pumps, Fertilizer and Pesticide Pumps, Applicators & Sprayers, Blending Pumps, Nurse Tanks, Bulk Transfer Pumps and much more.

ABS Type Approval for the Flomax 15 and 10 - [Download PDF](#)



### Application

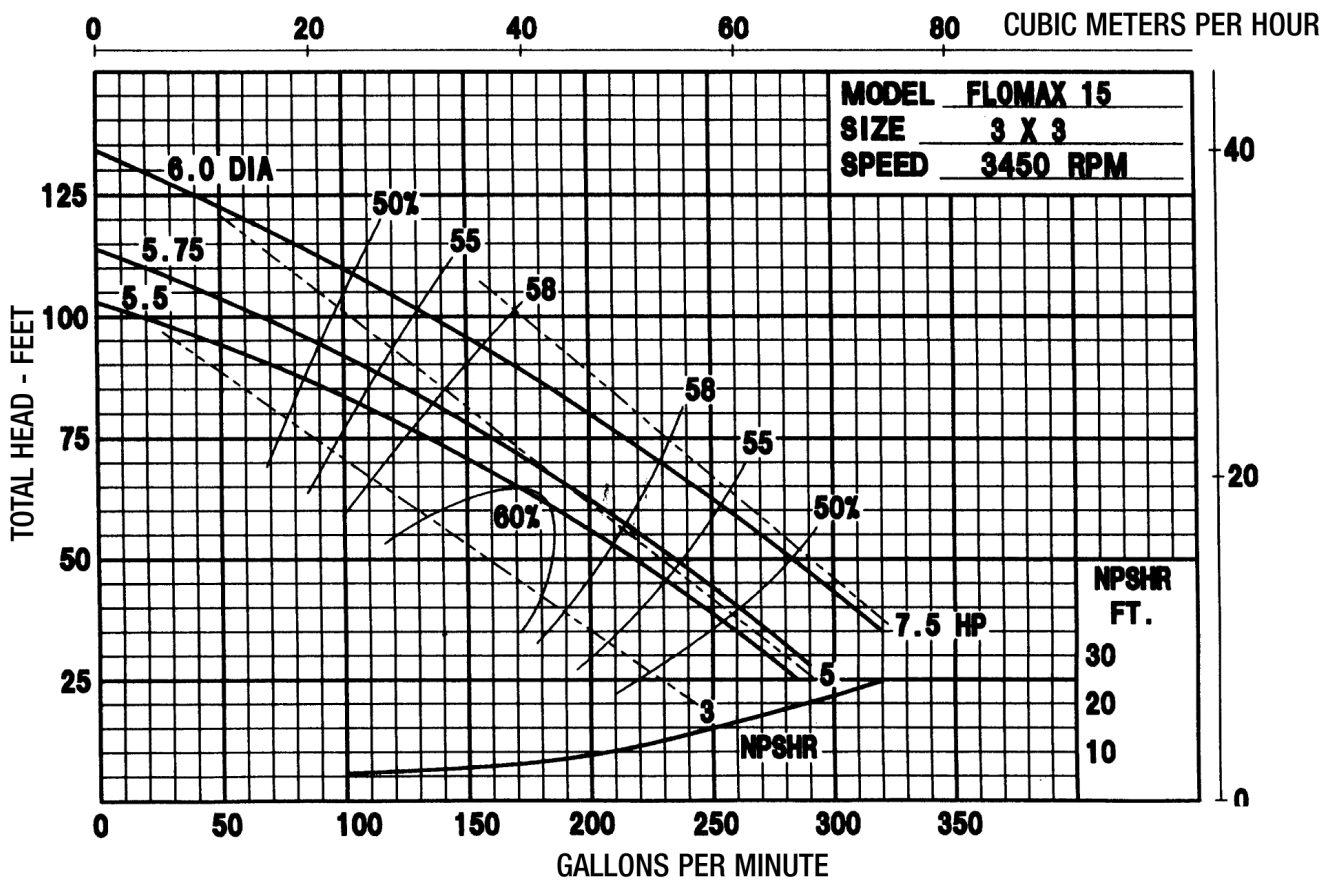
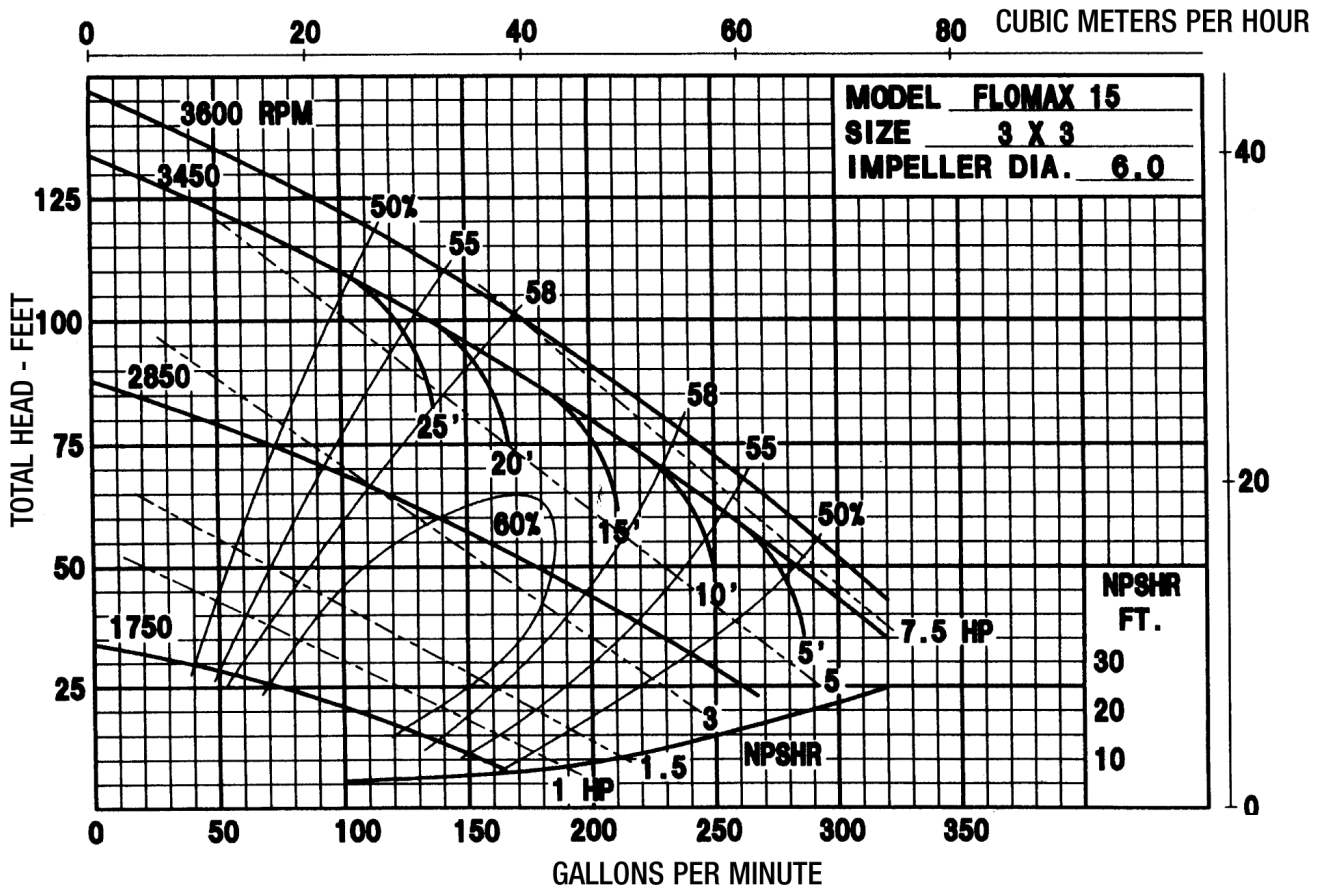
- Agricultural
- Industrial
- Marine
- OEM

### Features

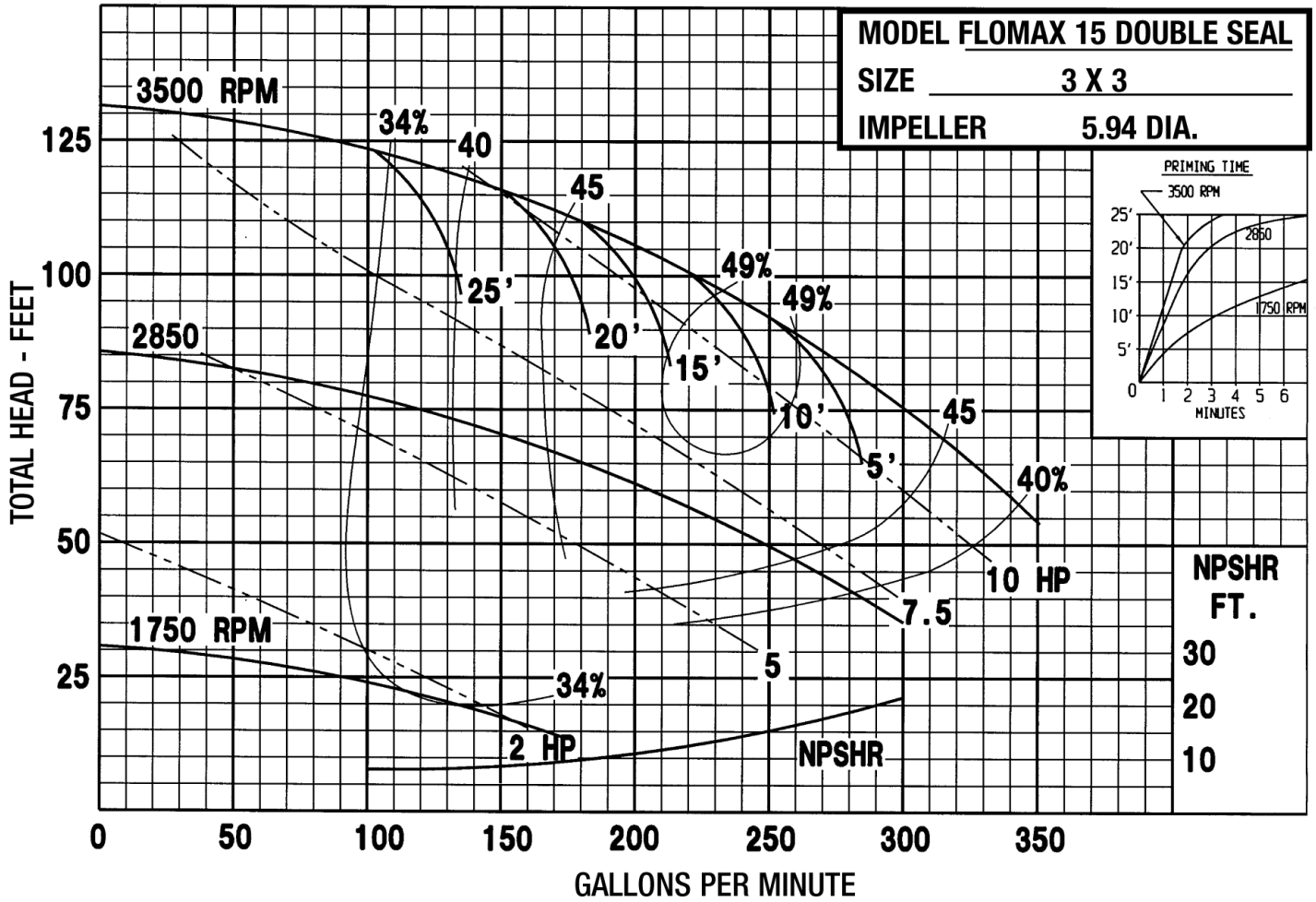
- Renewable wear plate
- Stainless steel drive sleeve
- Stainless steel fasteners
- Up to a 25' suction lift

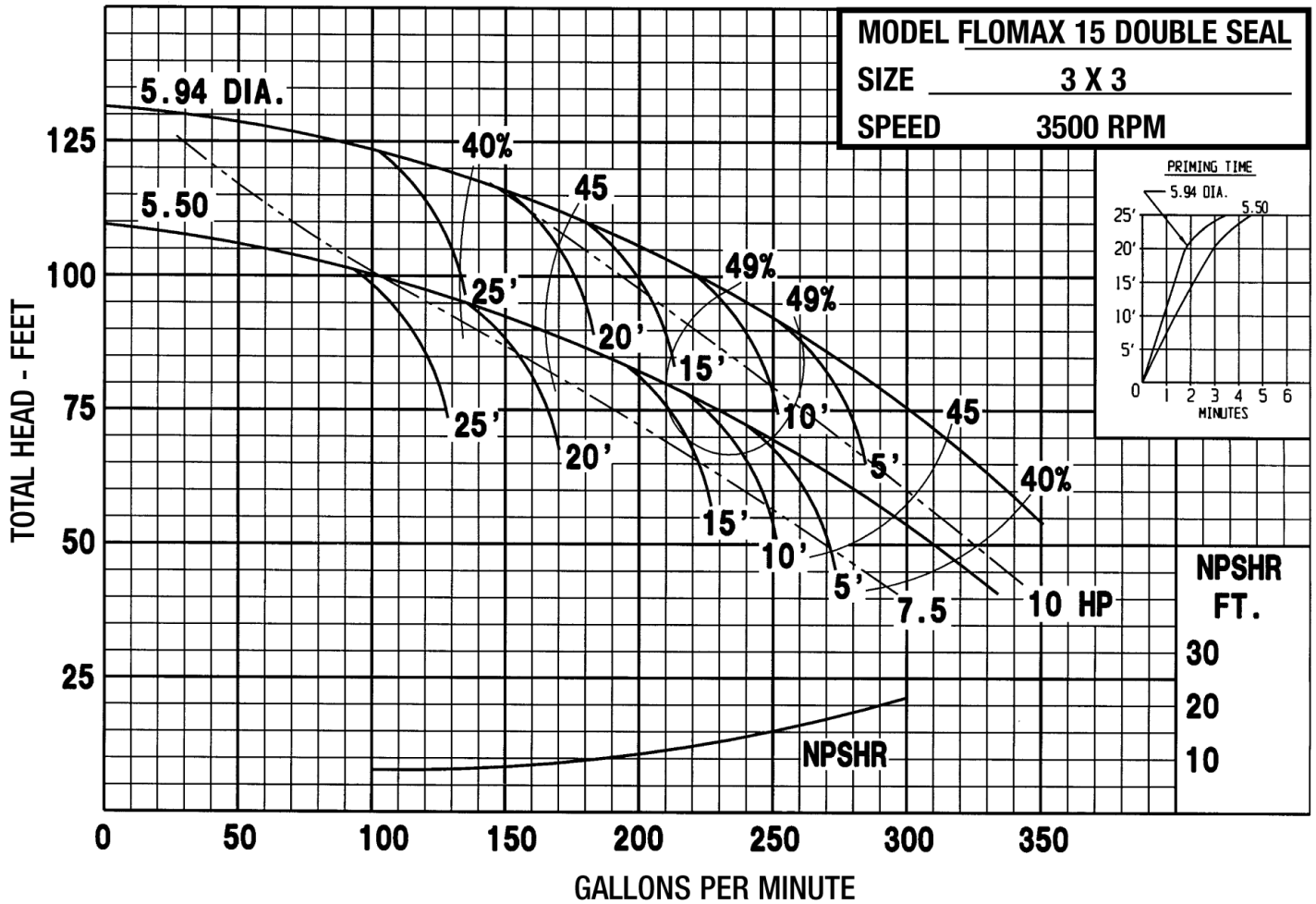
## SPECIFICATIONS:

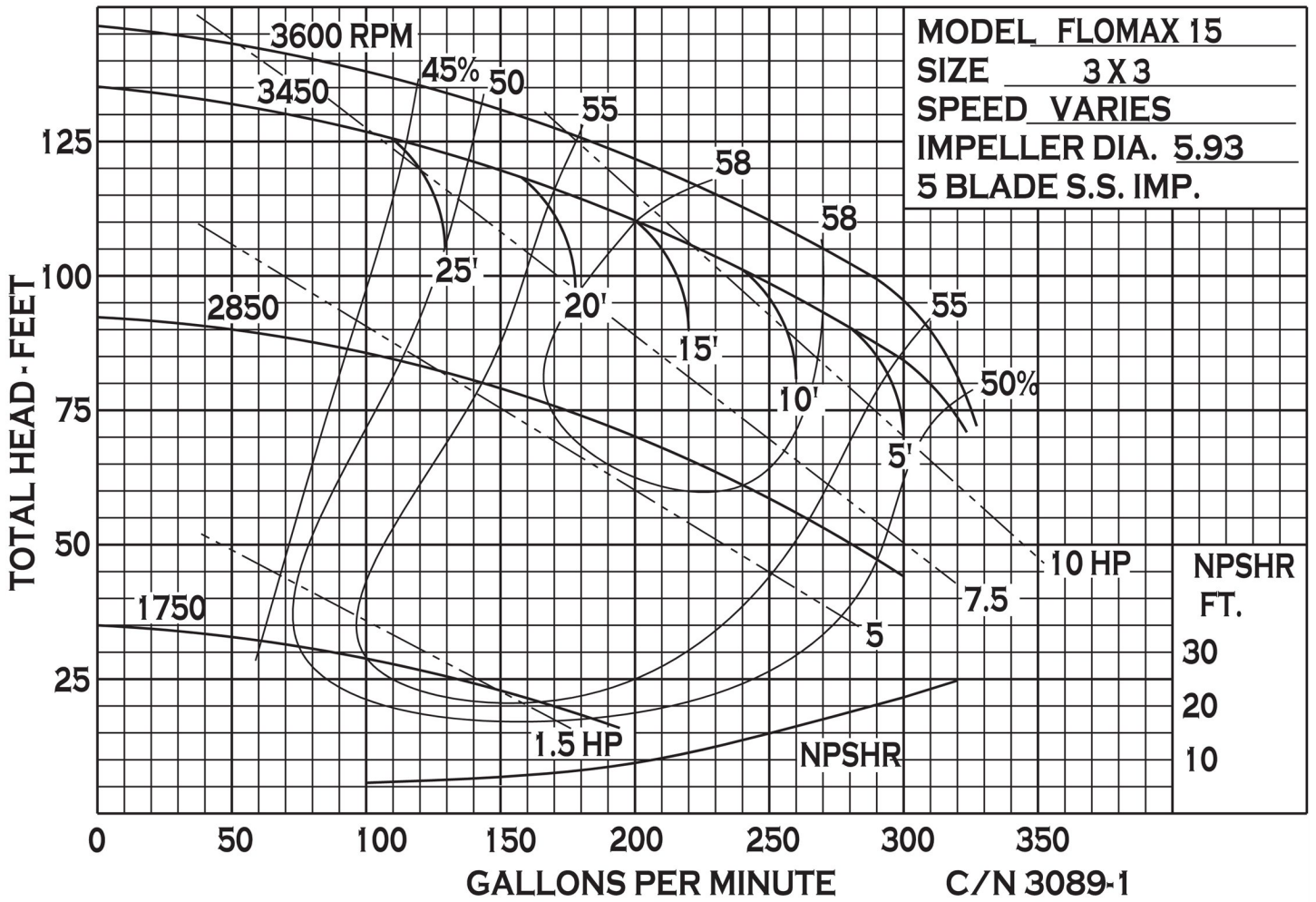
Suction And Discharge	3" x 3" NPT
Materials Of Construction	316 stainless steel, Bronze, Cast iron
Flow	Up to 320 GPM
Head Feet	Up to 145'
Impeller	6.0" max. diameter, semi-open
Motor	Up to 7.5 HP
Drive Options	Close coupled 184TC, Close coupled 215C, Engine mount: 5.5 HP, 6.5 HP, 11 HP, and 13 HP, Pedestal, PumPAK® (without motor)
Seal	Special seal material combinations available (consult factory), Standard carbon / ceramic / Viton
Options	5 blade impeller available for higher flows, Baseplate shown above is optional, Double seal available for dry run applications, Hydraulic motor .73 cu. in.
Max Solid Size	.625"

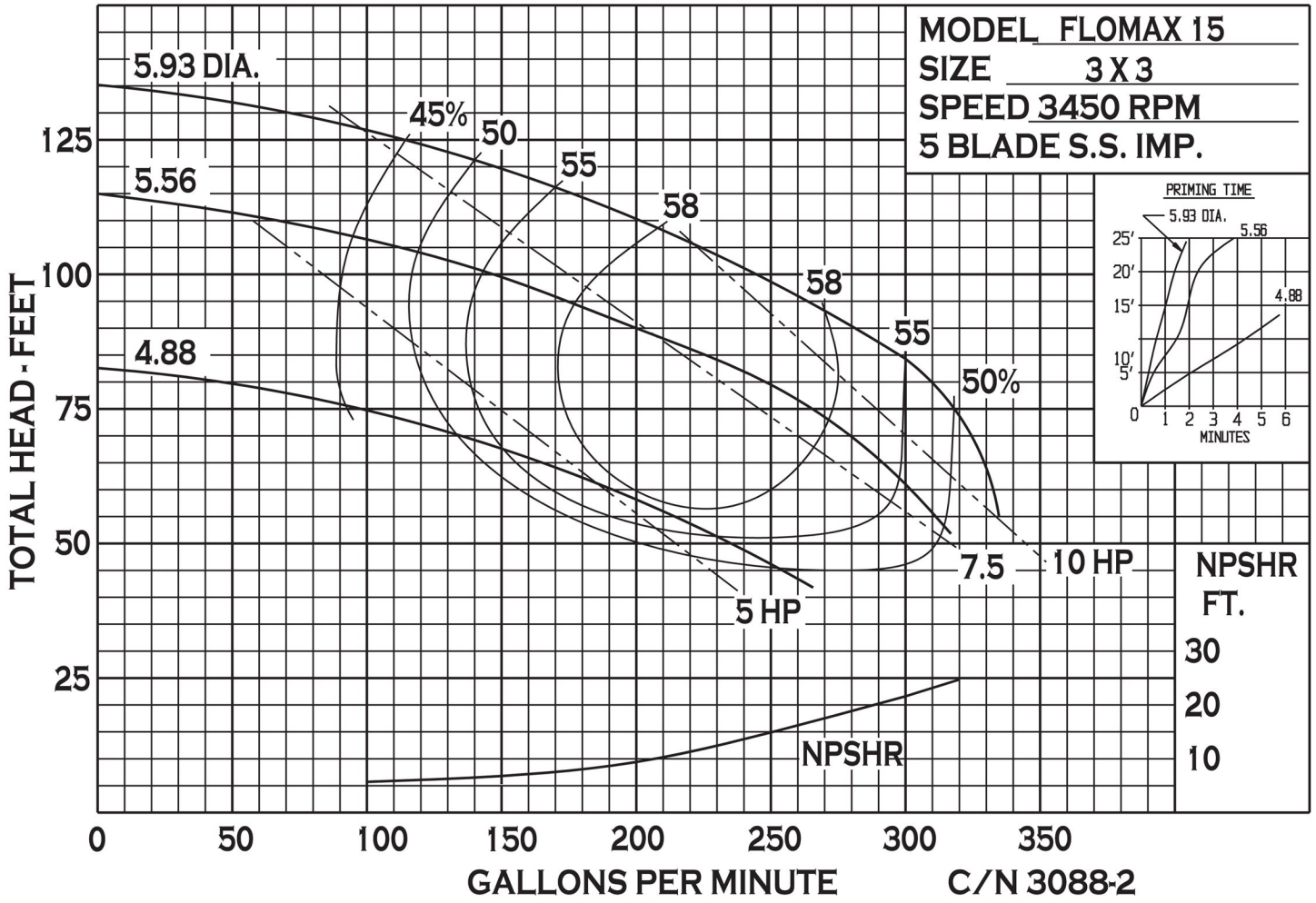


34800 BENNETT - FRASER, MI 48026-1686  
 (586) 293-8240 - FAX (586) 293-8469  
 (800) 563-8006 - www.mppumps.com







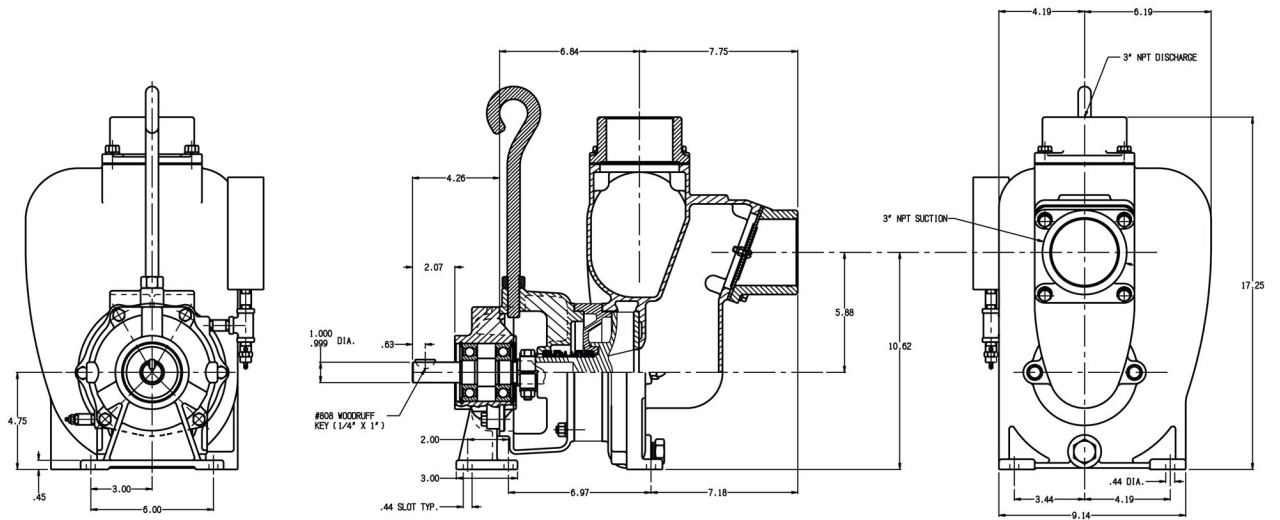






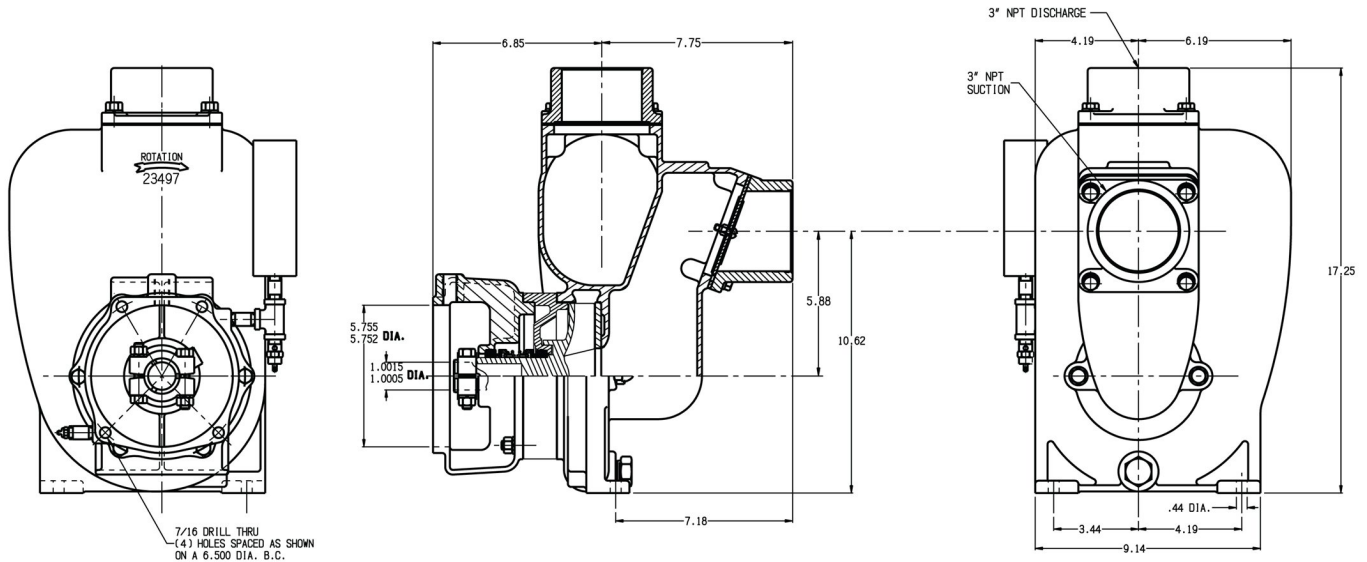


32091



WITH DOUBLE SEAL		<table border="1"> <tr> <th>REV</th> <th>DATE</th> <th>BY</th> <th>CHKD</th> <th>DESCRIPTION</th> </tr> <tr> <td> </td> <td> </td> <td> </td> <td> </td> <td> </td> </tr> </table>	REV	DATE	BY	CHKD	DESCRIPTION						<table border="1"> <tr> <td>MP PUMPS</td> <td>32091</td> </tr> <tr> <td>32091</td> <td>FLOMAX 15 PEDESTAL</td> </tr> </table>	MP PUMPS	32091	32091	FLOMAX 15 PEDESTAL
REV	DATE	BY	CHKD	DESCRIPTION													
MP PUMPS	32091																
32091	FLOMAX 15 PEDESTAL																

33578



W/ PEDESTAL MOUNT		<table border="1"> <tr> <th>REV</th> <th>DATE</th> <th>BY</th> <th>CHKD</th> <th>DESCRIPTION</th> </tr> <tr> <td> </td> <td> </td> <td> </td> <td> </td> <td> </td> </tr> </table>	REV	DATE	BY	CHKD	DESCRIPTION						<table border="1"> <tr> <td>MP PUMPS</td> <td>33578</td> </tr> <tr> <td>33578</td> <td>FLOMAX 15 DOUBLE SEAL</td> </tr> </table>	MP PUMPS	33578	33578	FLOMAX 15 DOUBLE SEAL
REV	DATE	BY	CHKD	DESCRIPTION													
MP PUMPS	33578																
33578	FLOMAX 15 DOUBLE SEAL																

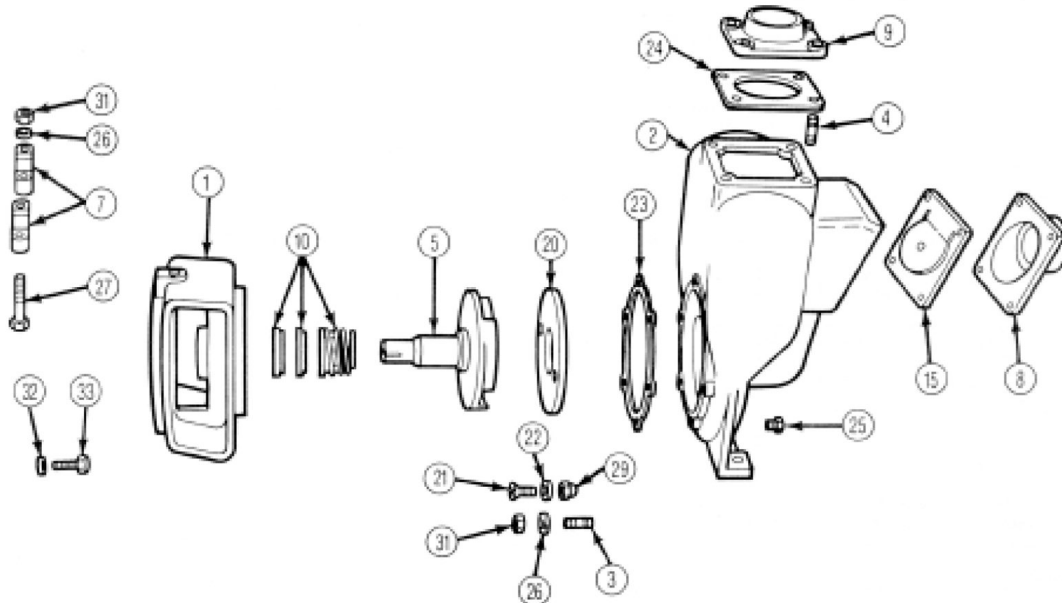


34800 BENNETT - FRASER, MI 48026-1686  
 (586) 293-8240 - FAX (586) 293-8469  
 (800) 563-8006 - www.mppumps.com

**MP PUMPS SERVICE PARTS LIST**

- Self-Priming      • Pumpak
- Close Coupled Electric Motor Drive

**Flomax 10 2" x 2" Pipe Size**  
**Flomax 15 3" x 3" Pipe Size**



**IMPORTANT:** When ordering parts, specify model and serial number shown on nameplate.  
 N/S means "not shown" in exploded view of parts.

ITEM	PART NO.	DESCRIPTION	QUANTITY REQUIRED PER MODEL			
			CAST IRON			BRONZE
			FLOMAX 10-2"	21366	21421	
FLOMAX 15-3"	21384	21428	21382	21383		
<b>HOUSING</b>						
2	24304	Housing Assembly - Cast Iron - Inc:	1	1		
2	22351	Housing - Cast Iron	1	1		
3	21261	Stud - S.S. - 3/8"	14	14		
		6 - Housing to Adaptor				
		8 - Inlet and Outlet				
25	21267	Drain Plug - S.S. - 1/4" NPT	1	1		
2	24302	Housing Assembly - Aluminum - Inc:			1	
2	22349	Housing - Aluminum			1	
3	21261	Stud - S.S. - 3/8"			14	
		6 - Housing to Adaptor				
		8 - Inlet and Outlet				
25	21267	Drain Plug - 1/4" NPT			1	
2	24303	Housing Assembly - Bronze - Inc:				1
2	22350	Housing - Bronze				1
3	21721	Stud - 3/8" - B				14
		6 - Housing to Adaptor				
		8 - Inlet and Outlet				
25	21186	Drain Plug - S.S. - 1/4" NPT				1
4	21291	Cap Screw - 3/8"	8	8	8	
31	21268	Hex Nut - S.S. - 3/8"	14	14	14	
		6 - Adaptor to Housing				
		4 - Inlet Flange				
		4 - Outlet Flange				
31	21230	Hex Nut - Bronze - 3/8"				14
26	21266	Lockwasher - S.S. - 3/8"	14	14	14	
		6 - Adaptor to Housing				
		4 - Inlet Flange				
		4 - Outlet Flange				
26	26051	Lockwasher - Bronze - 3/8"				14
15	23040	Flapper Assembly	1	1	1	1
23	22240	Gasket - Housing to Adaptor	4	4	4	4
24	22358	Gasket - Outlet Flange	1	1	1	1

**MP PUMPS, INC.**  
 34800 BENNETT • FRASER, MI 48026-1686  
 (586) 293-8240 • FAX (586) 293-8469  
 (800) 563-8006 • www.mppumps.com

**FORM 7006-C**

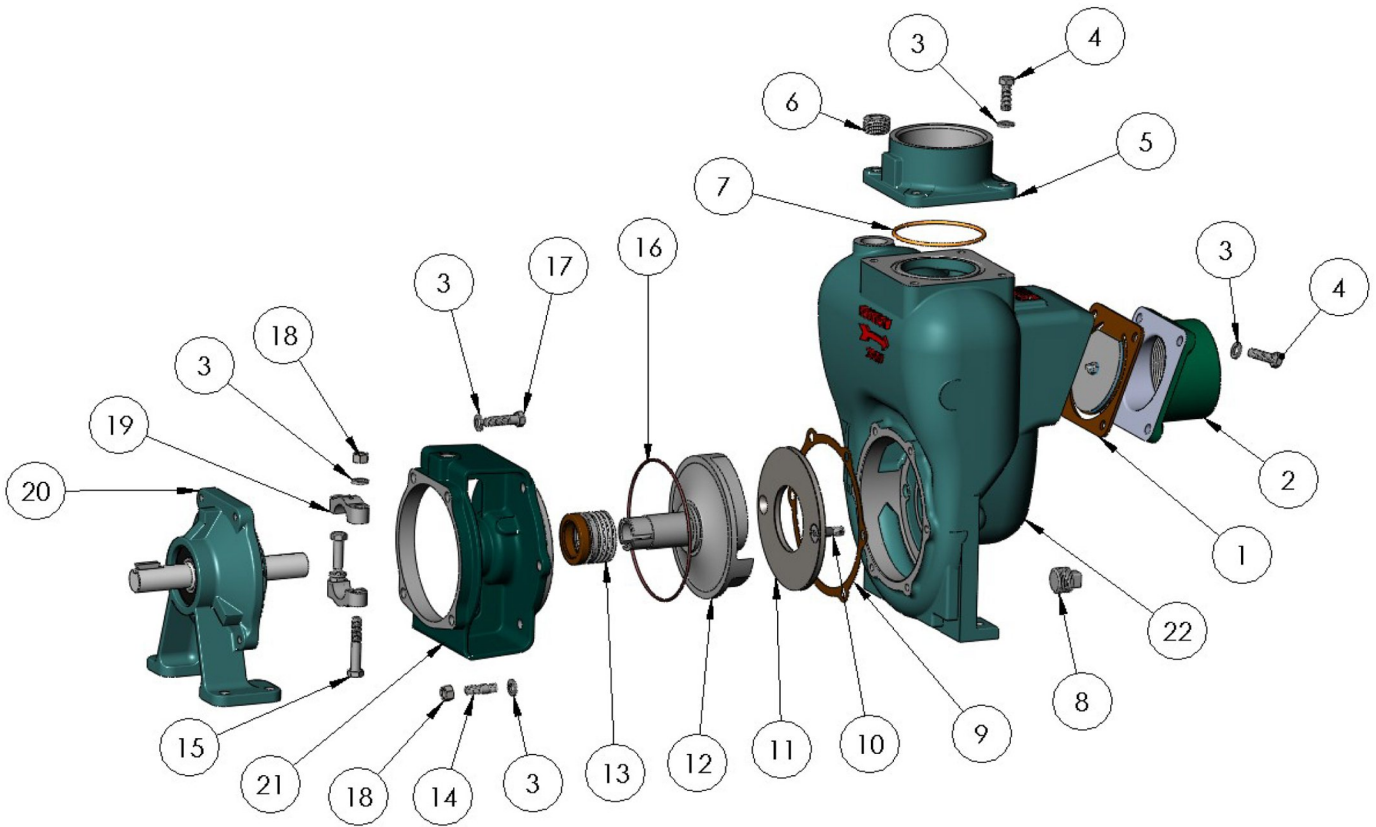
PRINTED IN U.S.A.



34800 BENNETT - FRASER, MI 48026-1686  
 (586) 293-8240 - FAX (586) 293-8469  
 (800) 563-8006 - www.mppumps.com

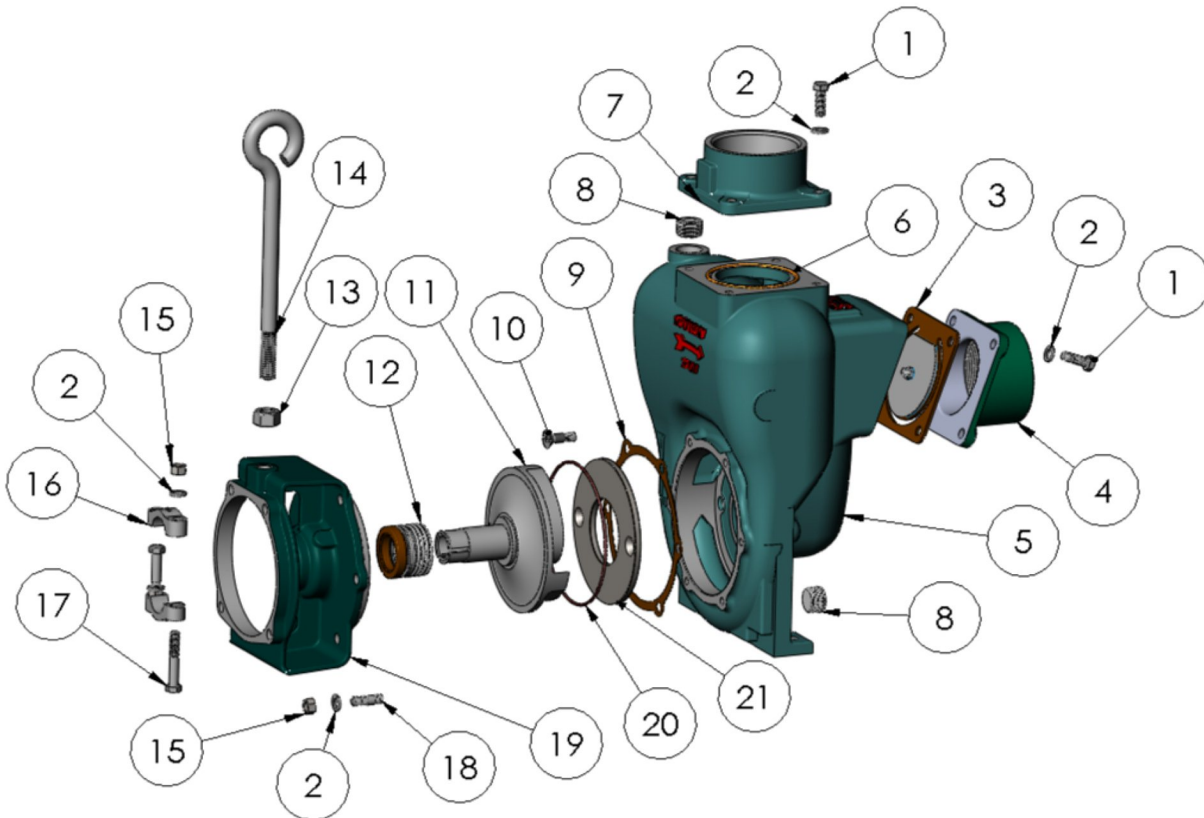
ITEM	PART NO.	DESCRIPTION	QUANTITY REQUIRED PER MODEL			
			CAST IRON		ALUMINUM	BRONZE
			FLOMAX 10-2"	21366	21421	21364
FLOMAX 15-3"	21384	21428	21382	21383		
<b>FLANGES</b>						
8	22369	Flange - 2" - Inlet - Cast Iron	1	1		
8	22367	Flange - 2" - Inlet - Aluminum			1	
8	22368	Flange - 2" - Inlet - Br.				1
8	22468	Flange - 3" - Inlet - Cast Iron	1	1		
8	22466	Flange - 3" - Inlet - Aluminum			1	
8	22467	Flange - 3" - Inlet - Br.				1
9	22372	Flange - 2" - Outlet - Cast Iron	1	1		
9	22370	Flange - 2" - Outlet - Aluminum			1	
9	22371	Flange - 2" - Outlet - Br.				1
9	22471	Flange - 3" - Outlet - Cast Iron	1	1		
9	22469	Flange - 3" - Outlet - Aluminum			1	
9	22470	Flange - 3" - Outlet - Br.				1
<b>WEAR PLATE</b>						
	22376	Wear Plate Assembly - Steel - Inc:	1	1		
20	22244	Wear Plate - Steel	1	1		
21	21262	Flat Head Screw - S.S. - 3/8"	2	2		
22	21271	Annular Gasket - 5/8"	2	2		
	22374	Wear Plate Assembly - Aluminum - Inc:			1	
20	22242	Wear Plate - Aluminum			1	
21	21262	Flat Head Screw - S.S. - 3/8"			2	
22	21271	Annular Gasket - 5/8"			2	
	22375	Wear Plate Assembly - Bronze - Inc:				1
20	22243	Wear Plate - Bronze				1
21	22360	Flat Head Screw - S.S. - 3/8"				2
22	21271	Annular Gasket - 5/8"				2
29	21263	Acom Nut - S.S. - Wear Plate - 3/8"	2	2	2	
29	26053	Acom Nut - Bronze - Wear Plate 3/8"				2
<b>IMPELLER</b>						
5	23386	Impeller Assembly - Cast Iron - Inc:				
	22417	Locknut - 1-14	1	1		
	22435	Sleeve - 1-1/8" Bore	1	1		
	22499	Impeller - Cast Iron	1	1		
5	23384	Impeller Assembly - Aluminum - Inc:			1	
	22417	Locknut - 1-14			1	
	22435	Sleeve - 1-1/8" Bore			1	
	22497	Impeller - Aluminum			1	
5	23385	Impeller Assembly - Br. - Inc:				1
	22417	Locknut - 1-14				1
	22435	Sleeve - 1-1/8" Bore				1
	22498	Impeller - Br.				1
N/S	22404	Shim - Impeller - S.S. - 3/4"	1	1	1	1
<b>CLAMP</b>						
	23039	Impeller Clamp Assembly - Inc:	1	1	1	1
7	22356	Clamp	2	2	2	2
26	21266	Lockwasher - S.S. - 3/8"	2	2	2	2
27	21269	Capscrew - S.S. - 3/8"	2	2	2	2
31	21268	Hex Nut - S.S. - 3/8"	2	2	2	2
27	21269	Capscrew - S.S. - Clamp - 3/8"	2	2	2	2
<b>SEAL</b>						
10	22361	Seal Assembly - Self-lubricated	1	1	1	1
<b>ADAPTOR</b>						
1	22433	Adaptor - Cast Iron	1	1		
1	22431	Adaptor - Aluminum			1	
1	22432	Adaptor - Bronze				1
32	21246	Capscrew - S.S. - Adaptor to Motor - 1/2"	4	4	4	4
33	21254	Lockwasher - S.S. - Adaptor to Motor	4	4	4	4

	<b>MP PUMPS, INC.</b> TECUMSEH PRODUCTS COMPANY 34800 BENNETT DRIVE - FRASER, MI 48026-1686 (586) 293-8240 • FAX (586) 293-8469 (800) 563-8006	<b>FORM 7006-C</b>  PRINTED IN U.S.A.
---	--	---



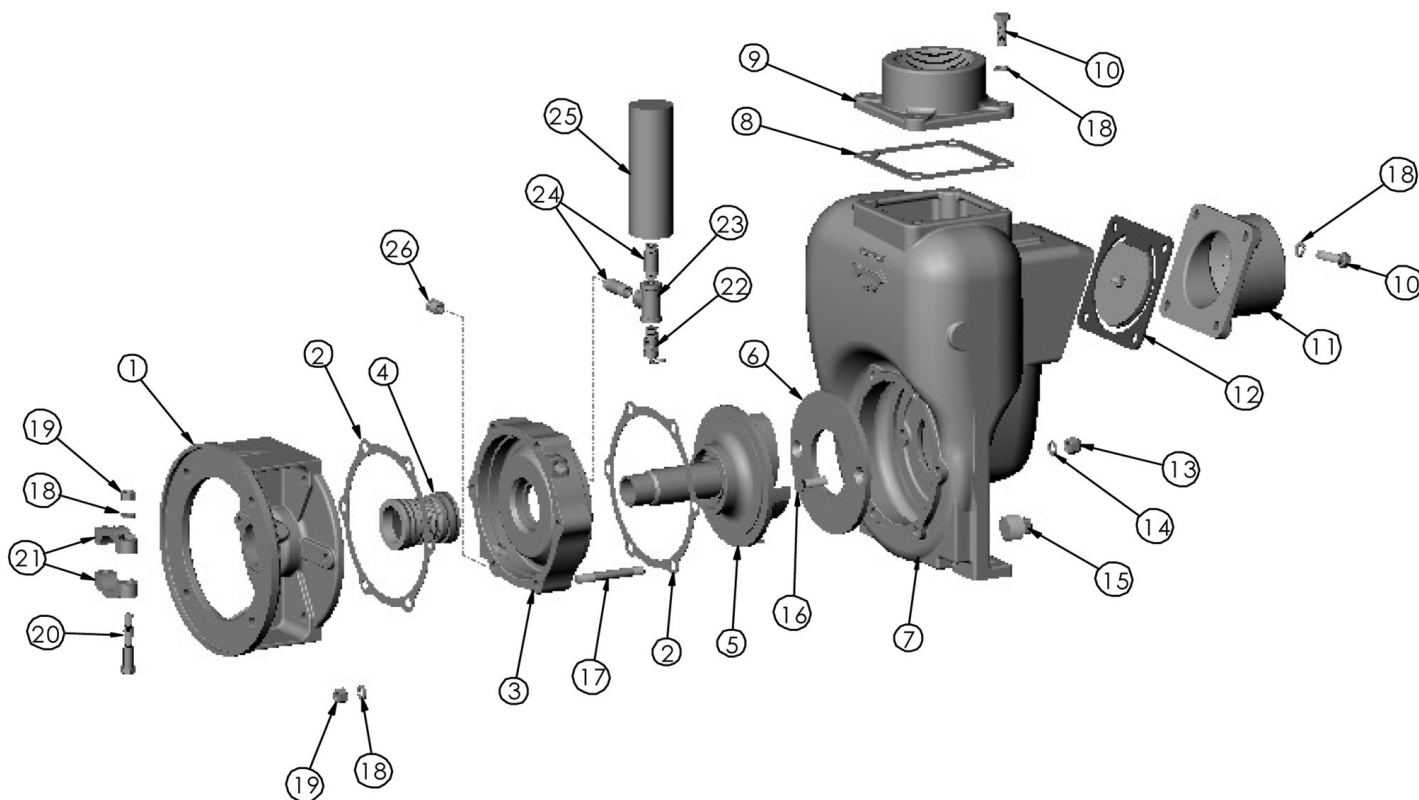
ITEM NO.	PART NO.	DESCRIPTION	QTY.		ITEM NO.	PART NO.	DESCRIPTION	QTY.
*	1	23040 FLAPPER ASSY. BUNA	1		12	23038 IMPELLER STL- 6.00 DIA.	1	
	2	22468 SUCTION FLANGE - C.I.	1		*	13	22361 SEAL ASY TYPE 21 - SERVICE	1
	3	21266 LOCKWASHER S.S. - 3/8	20		14	21260 STUD 3/8-16 X 1.32 S.S.	6	
	4	21291 CAPSCREW S.S. - 3/8-16 X 1.13	8		15	21269 CAPSCREW S.S. - 3/8-16 X 2.25	2	
	5	22471 DISCHARGE FLANGE - C.I.	1		*	16	29715 O RING - VITON	1
	6	34332 PIPE PLUG B - SOCKET HEAD 3/4" NPT	1		17	21259 CAPSCREW S.S. - 3/8-16 X 1.38	4	
*	7	37138 O RING - VITON DISCHARGE	1		18	21268 HEXNUT S.S. - 3/8-16	8	
	8	41481 PIPE PLUG C - SQ. SOCKET 3/4" NPT	1		19	22356 CLAMP S.S. - 1"	2	
*	9	22240 GASKET .O32 - NI-2085	1		20	26164 PEDESTAL ASSY. - LARGE	1	
	10	37115 FLAT HD SCREW S.S. - 3/8-16	2		21	22348 ADAPTER C.I.	1	
*	11	22244 WEAR PLATE STL	1		22	22351 HOUSING C.I.	1	

\*RECOMMENDED REPLACEMENT PARTS



ITEM NO.	PART NO.	DESCRIPTION	QTY.		ITEM NO.	PART NO.	DESCRIPTION	QTY.	
1	21291	CAPSCREW S.S. - 3/8-16 X 1.13	8	*	12	22361	SEAL ASSY - 1.5" T-21	1	
2	21266	LOCKWASHER S.S. - 3/8	16		13	22461	HEXNUT STL. - 5/8-11	1	
*	3	23040	FLAPPER ASSY. BUNA	1	14	22460	LIFT EYE ZPS - 5/8-11 X 10	1	
	4	22468	SUCTION FLANGE - C.I.	1	15	21268	HEXNUT S.S. - 3/8-16	8	
	5	22351	HOUSING C.I.	1	16	22356	CLAMP S.S. - 1"	2	
*	6	37138	O RING - VITON DISCHARGE	1	17	21269	CAPSCREW S.S. - 3/8-16 X 2.25	2	
	7	22471	DISCHARGE FLANGE - C.I.	1	18	21260	STUD 3/8-16 X 1.32 S.S.	6	
	8	41481	PIPE PLUG C.I. - 3/4" NPT	2	19	22348	ADAPTER C.I.	1	
*	9	22240	GASKET .032 - NI-2085	1	*	20	29715	O RING - VITON	1
	10	37115	FLAT HD SCREW S.S. - 3/8-16	2	*	21	22244	WEAR PLATE STL.	1
	11	23038	IMPELLER D - 5.95 DIA.	1					

\* RECOMMENDED REPLACEMENT PARTS



PART NO.	ITEM NO.	DESCRIPTION	QTY.		PART NO.	ITEM NO.	DESCRIPTION	QTY.
22433	1	ADAPTER- CAST IRON	1		23039		CLAMP ASSEMBLY	1
* 22240	2	GASKET	2		21266	18	LOCK WASHER- 3/8	2
31406	3	ADAPTER- DOUBLE MECH. SEAL	1		21268	19	HEX NUT- 3/8-16	2
* 31713	4	DOUBLE MECH. SEAL- SSC	1		21269	20	HEX HD. SCREW- 3/8-16 X 2.25"	2
* 31719	5	IMPELLER- 5.94"	1		22356	21	CLAMP S.S.- 1"	2
* 22376		WEAR PLATE ASSEMBLY	1		31733	22	RELIEF VALVE- 1/4" NPT (125 PSI)	1
22244	6	WEAR PLATE	1		31734	23	PIPE TEE- 1/4" NPT	1
21271	14	ANNULAR GASKET	2		28635	24	PIPE NIPPLE- 1/4" NPT	2
21262	16	FLAT HD. SCREW- 3/8-16 X 1.25"	2		31732	25	GREASE RESERVOIR- 1/4" NPT	1
33117		HOUSING ASSEMBLY CC MTR	1		31735	26	GREASE FITTING- 1/4" NPT	1
22351	7	HOUSING	1					
21291	10	CAP SCREW S.S.- 3/8-16 X 1.13"	8					
41481	15	PIPE PLUG- 3/4" NPT	1					
33095	17	STUD S.S.- 3/8-16 X 3.00"	6					
21266	18	LOCK WASHER- 3/8	8					
* 22358	8	GASKET- DISCHARGE	1					
22471	9	FLANGE- DISCHARGE	1					
22468	11	FLANGE- INLET	1					
* 23040	12	FLAPPER ASS'Y	1					
21263	13	ACORN NUT- 3/8-16	2					
21266	18	LOCK WASHER- 3/8	6					
21268	19	HEX NUT- 3/8-16	6					

\*- RECOMMENDED REPLACEMENT PARTS



34800 BENNETT - FRASER, MI 48026-1686  
 (586) 293-8240 - FAX (586) 293-8469  
 (800) 563-8006 - www.mppumps.com



# FLOMAX 30

## 3" x 3" Self Priming Centrifugal Pump

FLOMAX® 30 self-priming centrifugal pumps are capable of creating vacuum sufficient to lift liquids from heights up to 25 feet above the source. Once primed, the pump's built in flapper valve will maintain a full column of liquid in the suction line.

A FLOMAX® 30 PumPAK® is a fully assembled and run tested pump end that can be easily coupled to a number of drivers such as 182TC to 256TC frame motors and gas engines. A bearing pedestal is also available for T-frame motor or belt drive.

Standard features include stainless steel drive sleeve, stainless steel fasteners, renewable wear plate, and a semi-open dynamically balanced impeller.

The FLOMAX® series of pumps are commonly used in Industrial, OEM, Agricultural and Marine applications, such as: Bilge Pumps, Auxiliary Fire Pumps, Ballast Transfer Pumps, Washdown Pumps, Fertilizer and Pesticide Pumps, Applicators & Sprayers, Blending Pumps, Nurse Tanks, Bulk Transfer Pumps and much more.

ABS Type Approval for the Flomax 30 - [Download PDF](#)



### Application

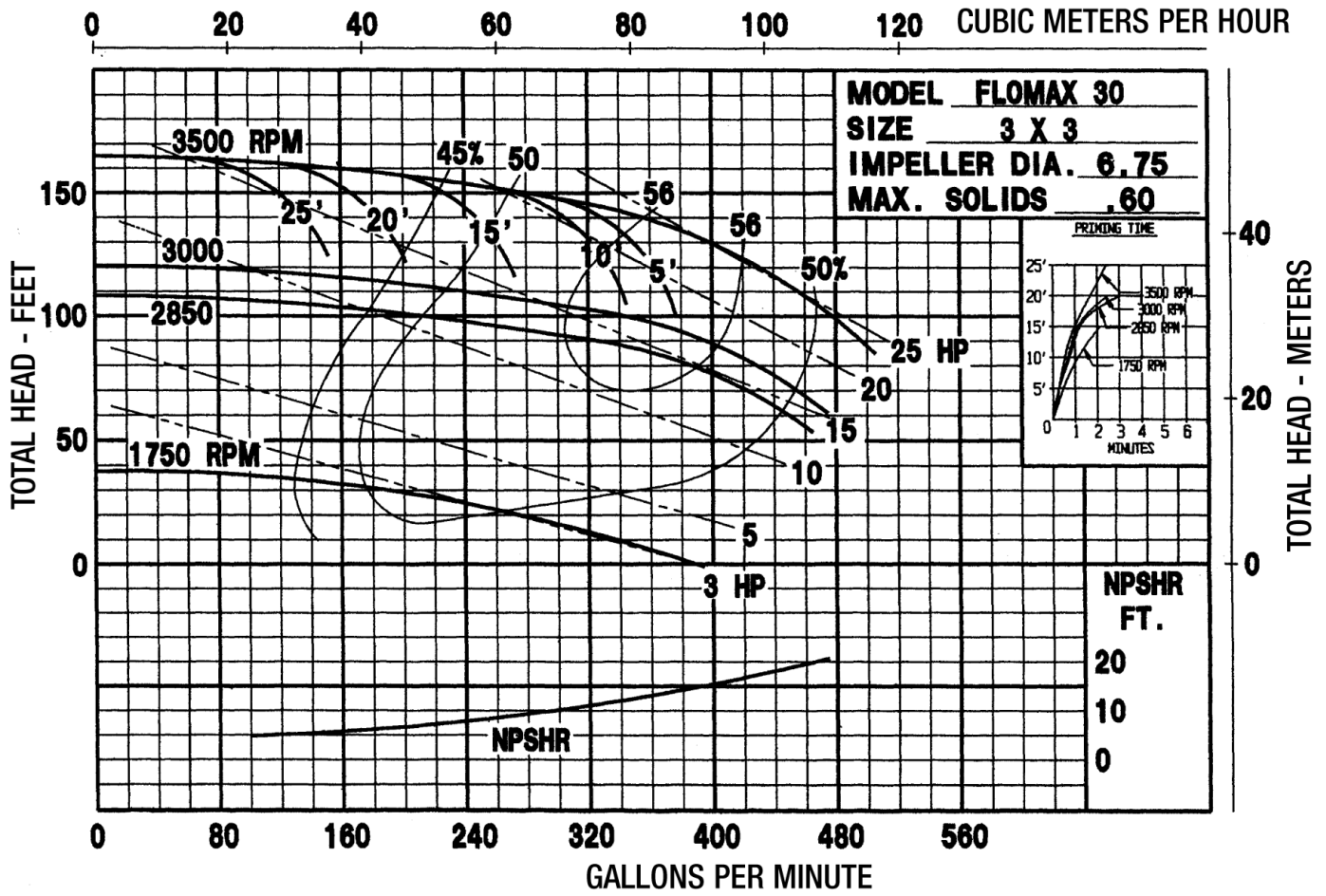
- Agricultural
- Industrial
- Marine
- OEM

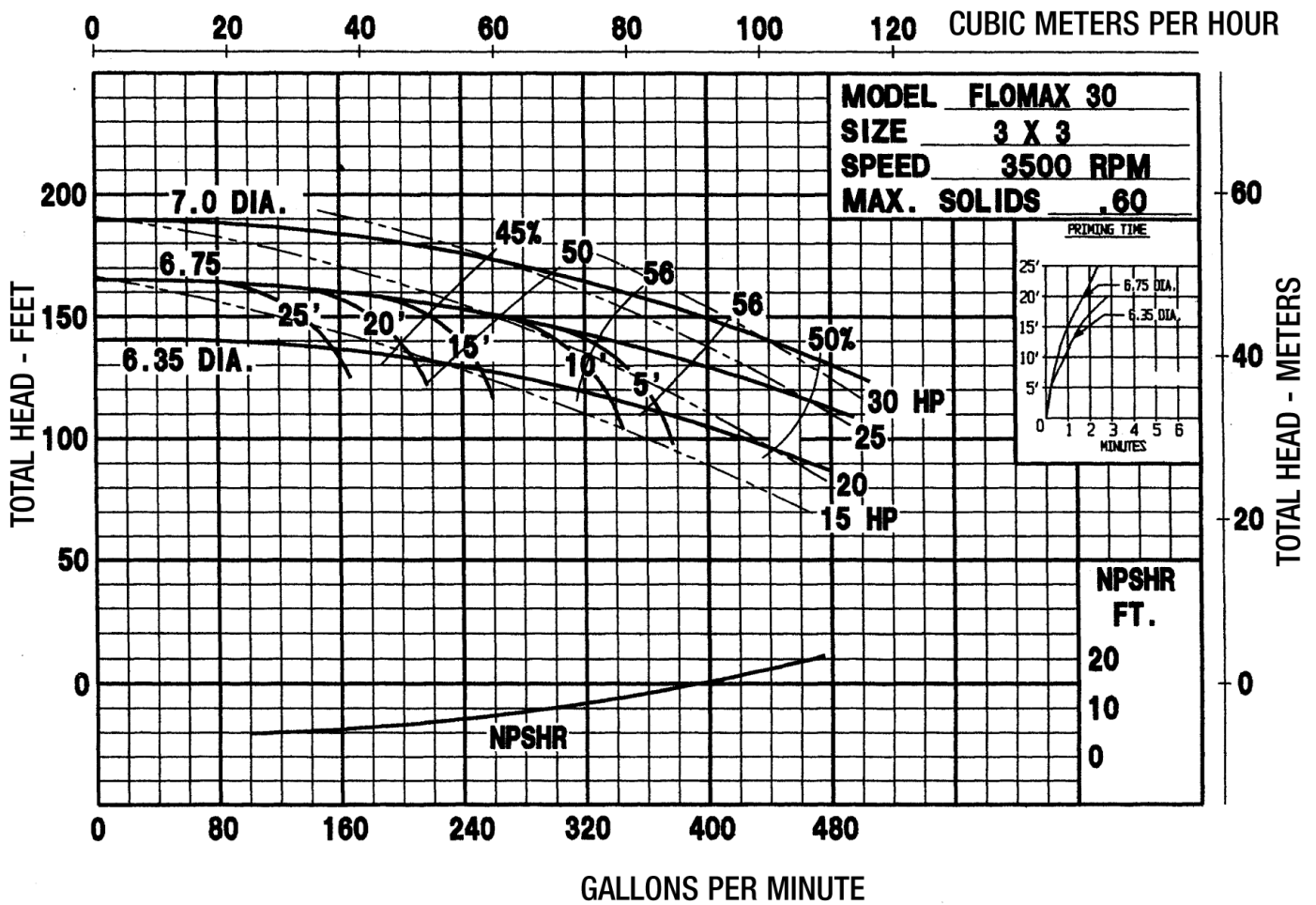
### Features

- Stainless steel drive sleeve
- Stainless steel fasteners
- Up to a 25' suction lift

## SPECIFICATIONS:

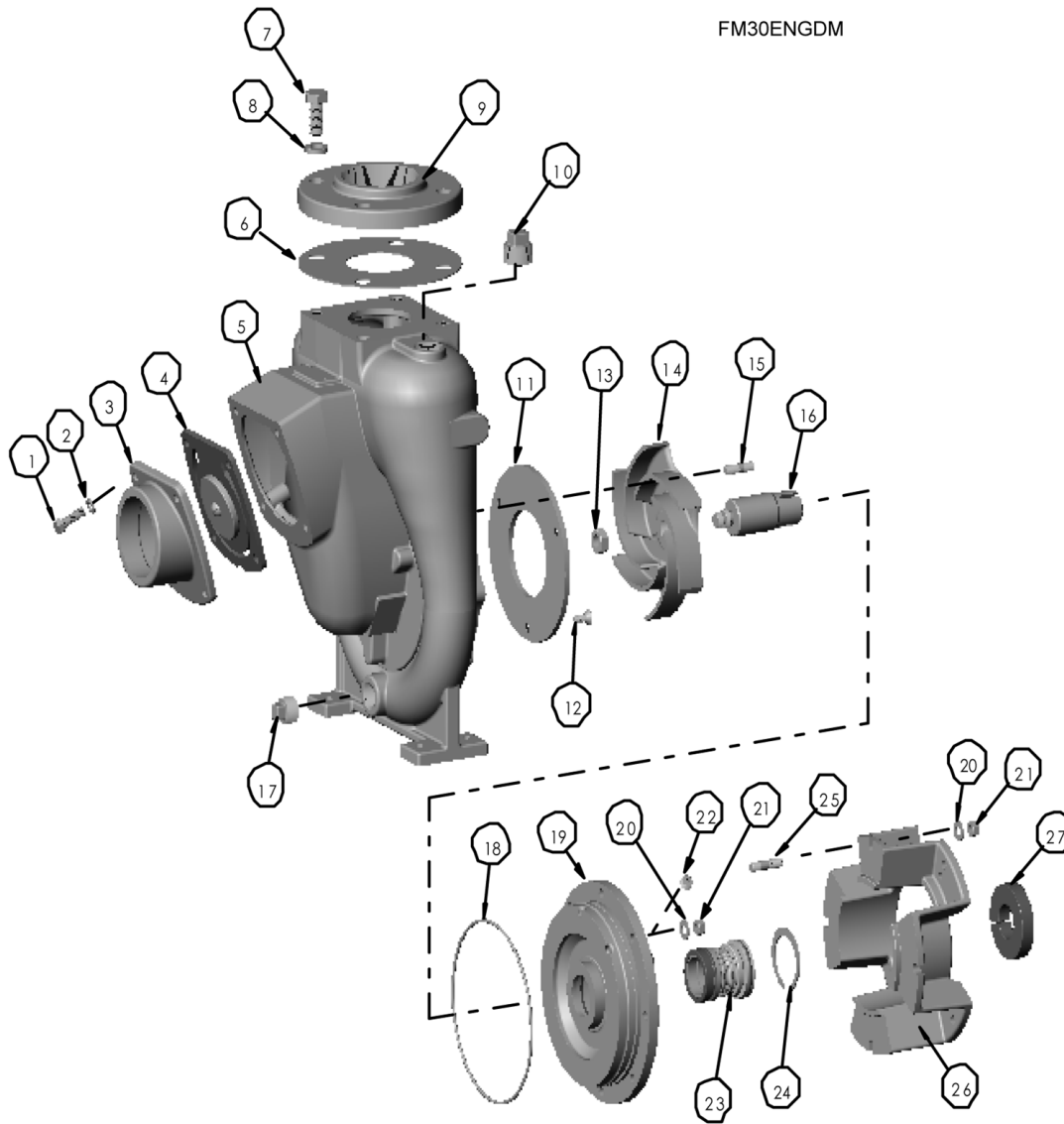
Suction And Discharge	3" x 3" NPT
Materials Of Construction	Bronze, Cast iron
Flow	Up to 500 GPM
Head Feet	Up to 190'
Impeller	6.75" max diameter, 6-vane semi open
Motor	Up to 25 HP
Drive Options	Close coupled 184TC, Close coupled 215TC, Close coupled 256TC, Engine mount 25 HP, Pedestal, PumPAK® (without motor)
Seal	Special seal material combinations available (consult factory), Standard carbon / ceramic / Viton
Max Solid Size	.60"







FM30ENGDM

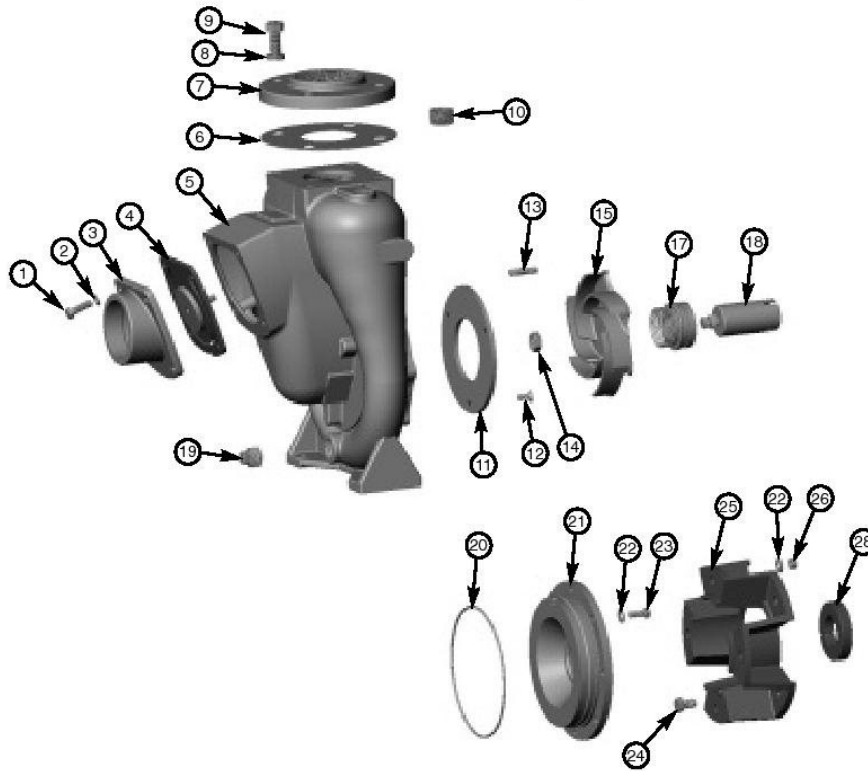


ITEM NO.	PART NO.	DESCRIPTION	QTY.	ITEM NO.	PART NO.	DESCRIPTION	QTY.
1	21274	CAP SCREW S.S.- 3/8-16 X 1.25"	4	20	28053	WASHER S.S.- 3/8"	8
2	21266	LOCK WASHER S.S.- 3/8	4	21	21268	HEX NUT S.S.- 3/8-16	8
3	40537	INLET FLANGE	1	22	32022	HEX. SOC. PIPE PLUG- 1/4" NPT	2
* 4	42147	FLAPPER ASS'Y	1	* 23	30660	DOUBLE MECH. SEAL- 1.50"	1
5	31822	HOUSING	1	24	29335	INT. SNAP RING	1
* 6	32034	GASKET	1	25	21261	STUD S.S.- 3/8-16 X 1 5/8"	4
7	32018	CAP SCREW S.S.- 5/8-11 X 1.375"	4	26	31829	ENGINE ADAPTER	1
8	26853	LOCK WASHER S.S.- 5/8	4	27	31099	DRIVE CLAMP	1
9	32033	DISCHARGE FLANGE- 3" NPT	1				
10	41483	PIPE PLUG- 1" NPT	1				
* 11	31830	WEAR PLATE	1				
* 12	32026	FLAT HD. SCREW S.S.- 5/16-18 X .75"	3				
* 13	29194	HEX JAM NUT S.S.- 5/8-18	1				
* 14	31820	IMPELLER- 7.00" DIA.	1				
15	21260	STUD S.S.- 3/8-16 X 1.44"	4				
* 16	31094	DRIVE SLEEVE S.S.	1				
17	41481	PIPE PLUG- 3/4" NPT	1				
* 18	32020	O-RING- VITON	1				
19	31827	SEAL HOUSING	1				

\*- RECOMMENDED REPLACEMENT PARTS

# MP PUMPS SERVICE PARTS LIST

<b>FLOMAX 30 Single Seal</b>	<b>CC Pumpak</b>
------------------------------	------------------



PART NO.	ITEM NO.	DESCRIPTION	QTY.		PART NO.	ITEM NO.	DESCRIPTION	QTY.
21274	1	Capscrew SS 3/8-16 x 1.25"	4		31374	17	Mechanical Seal*	1
21266	2	Lockwasher SS 3/8"	6		31831	18	Drive Sleeve 1"	1
40537	3	Inlet Flange	1		31094	18	Drive Sleeve 1.125**	1
42147	4	Flapper Assembly*	1		31311	18	Drive Sleeve 1.375**	1
31822	5	Housing	1		31833	18	Drive Sleeve 1.625**	1
32034	6	Gasket*	1		41481	19	Pipe Plug 3/4" NPT	1
32033	7	Discharge Flange - 3" NPT	1		32020	20	O-Ring Viton*	1
26853	8	Lockwasher - 5/8"	4		31824	21	Seal Housing	1
32018	9	Capscrew SS 5/8-11 x 1.5"	4		28053	22	Washer SS 3/8"	8
22379	10	Pipe Plug - 1" NPT	1		21251	23	Capscrew SS 3/8-16 x .875"	4
31830	11	Wearplate*	1		33160	24	Capscrew SS 7/16-14 x .75"	4
32026	12	Flat Head Screw SS 5/16-18 x .75**	3		31829	25	Adaptor - Engine	1
33161	13	Stud SS 3/8-16 x 2.0"	4		31907	25	Adaptor - 184/215TC Motor	1
29194	14	Hex Jam Nut SS 5/8-18"	1		31892	25	Adaptor - 256TC Motor	1
31819	15	Impeller 7.0**	1		33688	25	Adaptor - 286TSC Motor	1
33177	15	Impeller 6.75**	1		21268	26	Hex Nut SS 3/8-16	6
33178	15	Impeller 6.35**	1		21269	27	Capscrew SS 3/8-16 x 2.25"	2
31838	16	Spacer	1		22356	28	Drive Clamp	2

\*-RECOMMENDED REPLACEMENT PARTS

 <p><b>MP PUMPS, INC.</b>  <b>TECUMSEH PRODUCTS COMPANY</b>          34800 BENNETT DRIVE • FRASER, MI 48026-1686          (586) 293-8240 • FAX (586) 293-8469          (800) 563-8006</p>	<p><b>Form 7096-A</b></p> <p>01/06</p>
--	--

# MP PUMPS SERVICE PARTS LIST

**FLOMAX 30 Single Seal**
**Pedestal Pump**

ITEM NO.	PART NO.	DESCRIPTION	QTY.
* 14	29194	Hex Jam Nut SS 5/8-18	1
* 15	31819	Impeller 7.0"	1
* 15	33177	Impeller 6.75"	1
* 15	33178	Impeller 6.35"	1
16	31838	Spacer	1
* 17	31374	Mechanical seal	1
* 18	32020	O-Ring Viton	1
19	31824	Seal Housing	1
* 20	41481	Pipe plug 3/4" NPT	1
21	28053	Washer SS 3/8"	8
22	21268	Hex Nut SS 3/8-16	8
23	31906	Bearing Housing	1
24	31804	Ball Bearing	1
25	31839	Drive Shaft	1
26	31803	Retaining Ring	1
27	26796	Square Key .25" x 2.12"	1


**MP PUMPS, INC.**

 TECUMSEH PRODUCTS COMPANY  
 34800 BENNETT DRIVE • FRASER, MI 48026-1686  
 (586) 293-8240 • FAX (586) 293-8469  
 (800) 563-8006

**Form 7098-A**

10/04

Page 2 of 2



# FLOMAX 40

## 4" x 4" Self Priming Centrifugal Pump

FLOMAX® 40 self-priming centrifugal pumps are capable of creating vacuum sufficient to lift liquids from heights up to 25 feet above the source. Once primed, the pump's built in flapper valve will maintain a full column of liquid in the suction line.

A FLOMAX® 40 PumPAK® is a fully assembled and run tested pump end that can be easily coupled to a number of drivers such as 215JP frame motors and gas engines. A bearing pedestal is also available for T-frame motor or belt drive.

Standard features include stainless steel drive sleeve, stainless steel fasteners, renewable wear plate, and a semi-open dynamically balanced impeller. Options include double grease-lubricated seals, stainless steel impeller and seals for all types of abrasive and/or corrosive services.

The FLOMAX® series of pumps are commonly used in Industrial, OEM, Agricultural and Marine applications, such as: Bilge Pumps, Auxiliary Fire Pumps, Ballast Transfer Pumps, Washdown Pumps, Fertilizer and Pesticide Pumps, Applicators & Sprayers, Blending Pumps, Nurse Tanks, Bulk Transfer Pumps and much more.

ABS Type Approval for the Flomax 40 - [Download PDF](#)



### Application

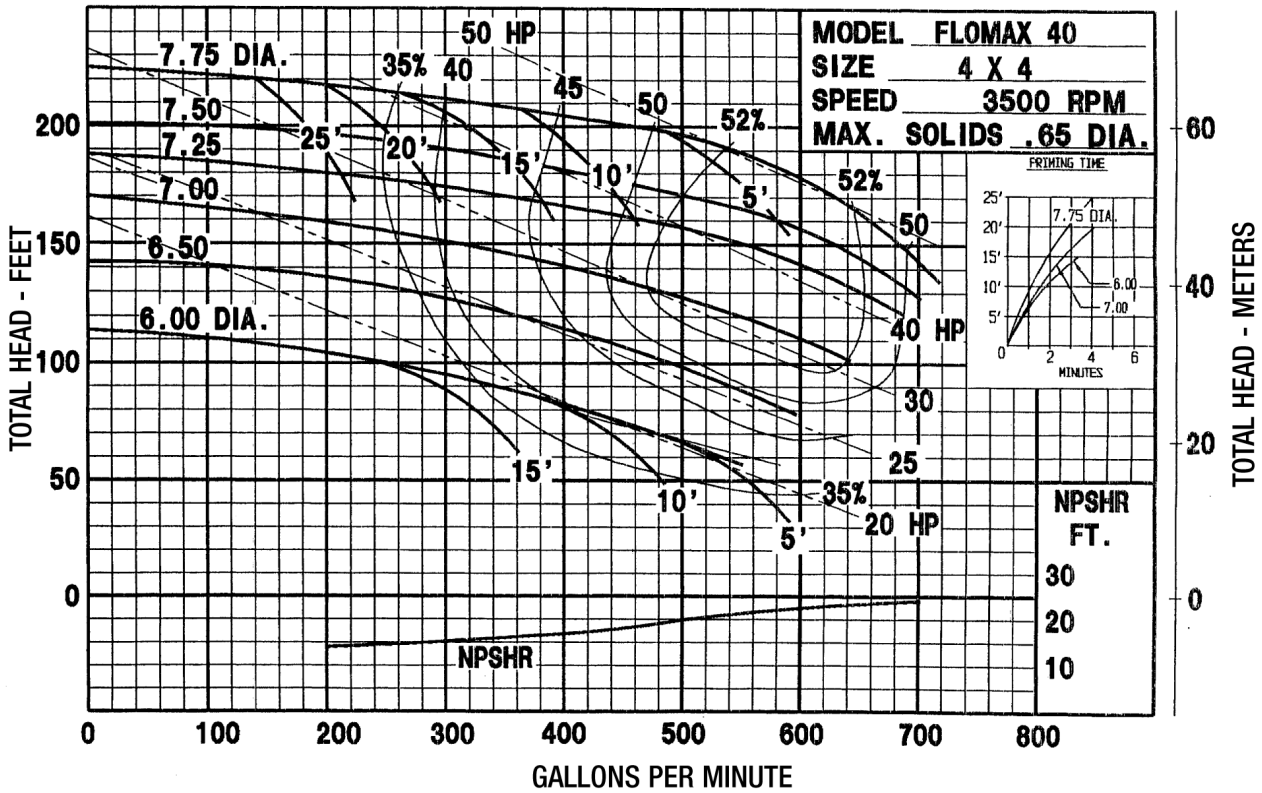
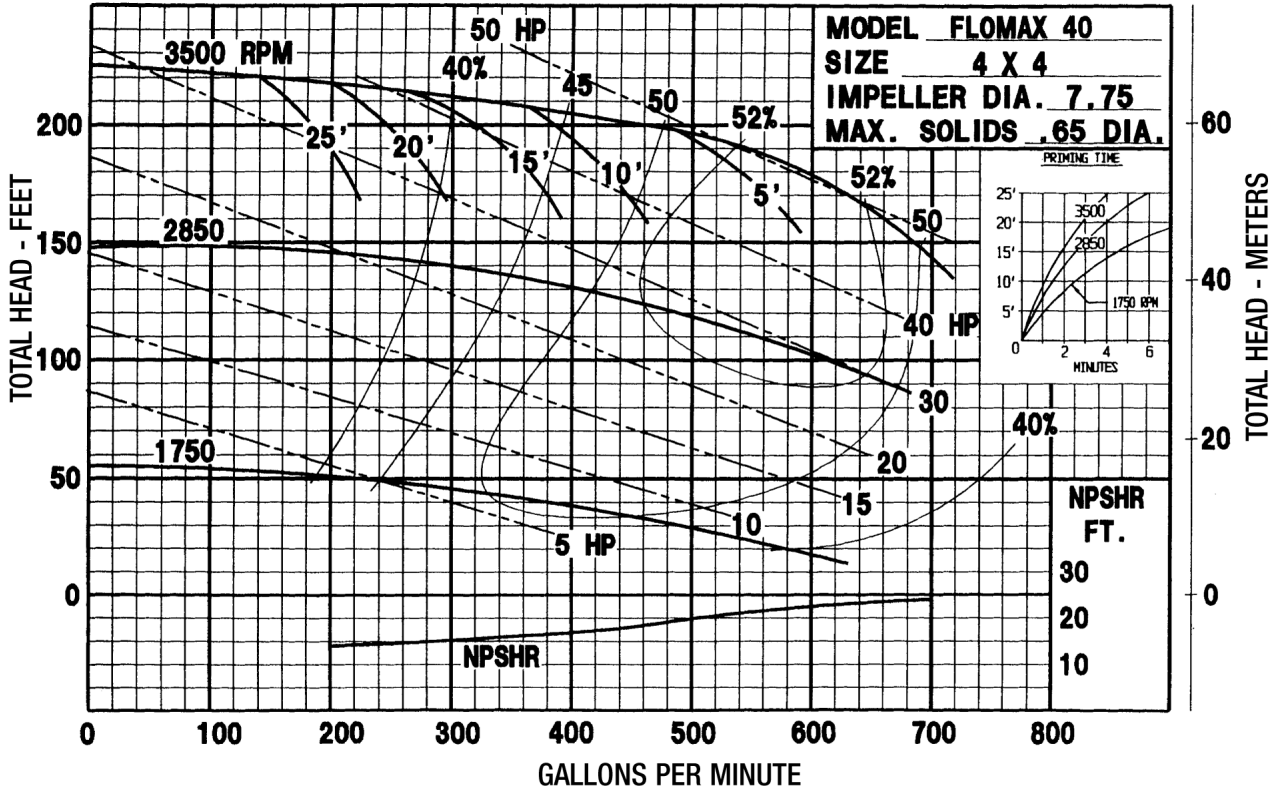
- Agricultural
- Industrial
- Marine
- OEM

### Features

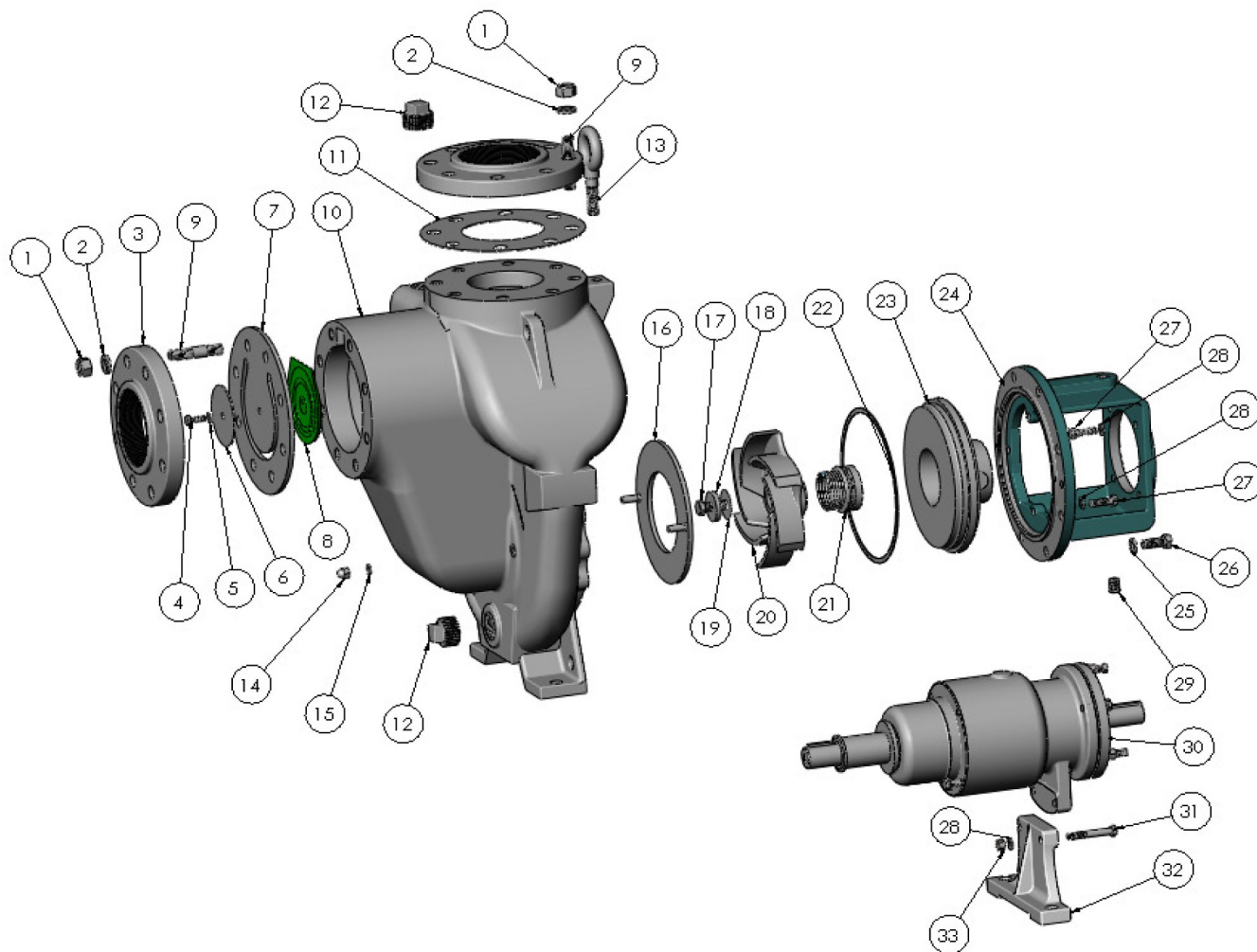
- Renewable wear plate
- Stainless steel drive sleeve
- Stainless steel fasteners
- Up to a 25' suction lift

## SPECIFICATIONS:

Suction And Discharge	4" x 4" NPT
Materials Of Construction	Cast iron
Flow	Up to 750 GPM
Head Feet	Up to 225'
Impeller	7.75" max diameter - semi open
Motor	Up to 50 HP
Drive Options	Pedestal, PumPAK® (without motor)
Seal	Special seal material combinations available (consult factory), Standard carbon / ceramic / Viton
Max Solid Size	.65"







ITEM NO.	PART NO.	DESCRIPTION	QTY.
1	22461	HEX NUT STL - 5/8-11	16
2	26258	LOCKWASHER STL. - 5/8	16
3	27201	FLANGE INLET/OUTLET	2
4	21242	CAPSCREW S.S. - 5/16-18 X 7/8"	1
5	21238	LOCKWASHER S.S. - 5/16	1
6	41821	CHECKVALVE WEIGHT STL.	1
* 7	40690	GASKET- CHECKVALVE	1
8	40556	CHECKVALVE WEIGHT- UPPER	1
9	27206	STUD ZPS. - 5/8-11 X 3"	16
10	35704	HOUSING D	1
* 11	27204	GASKET - DISCHARGE - NI-2086	1
12	27205	PIPE PLUG - 1.25" NPT	2
13	26686	EYE BOLT STL - 5/8-11 X 2.12"	1
* 14	21263	ACORN NUT S.S. - 3/8-16	2
* 15	21271	ANNULAR GASKET	2
* 16	27202	WEAR PLATE STL	1
17	21274	CAPSCREW S.S. - 3/8-16 X 1.25"	1

ITEM NO.	PART NO.	DESCRIPTION	QTY.
18	26675	WASHER S.S. - 1.7 X .516 X .25	1
* 19	27403	GASKET- RULON	1
20	28149	IMPELLER D - 7.75" DIA.	1
* 21	26685	SEAL ASSY 1.75" - VITON	1
* 22	27758	GASKET - HOUSING	1
23	35706	ADAPTER C.I. - MECH. SEAL	1
24	26661	ADAPTER C.I.	1
25	21254	LOCKWASHER S.S. - 1/2"	8
26	21246	CAPSCREW S.S. - 1/2-13 X 1.25	8
27	21274	CAPSCREW S.S. - 3/8-16 X 1.25	9
28	21266	LOCKWASHER S.S. - 3/8"	14
29	41475	PIPEPLUG STL. - 1/4" NPT	1
* 30	33186	PED. BODY ASSY.	1
31	21275	CAPSCREW S.S. - 3/8-16 X 2.5	2
32	26667	BRACKET C.I. - SER 600 PED.	1
33	21268	HEXNUT S.S. - 3/8-16	2

\*- RECOMMENDED REPLACEMENT PARTS

