



FLOMAX 40

4" x 4" Self Priming Centrifugal Pump

FLOMAX® 40 self-priming centrifugal pumps are capable of creating vacuum sufficient to lift liquids from heights up to 25 feet above the source. Once primed, the pump's built in flapper valve will maintain a full column of liquid in the suction line.

A FLOMAX® 40 PumPAK® is a fully assembled and run tested pump end that can be easily coupled to a number of drivers such as 215JP frame motors and gas engines. A bearing pedestal is also available for T-frame motor or belt drive.

Standard features include stainless steel drive sleeve, stainless steel fasteners, renewable wear plate, and a semi-open dynamically balanced impeller. Options include double grease-lubricated seals, stainless steel impeller and seals for all types of abrasive and/or corrosive services.

The FLOMAX® series of pumps are commonly used in Industrial, OEM, Agricultural and Marine applications, such as: Bilge Pumps, Auxiliary Fire Pumps, Ballast Transfer Pumps, Washdown Pumps, Fertilizer and Pesticide Pumps, Applicators & Sprayers, Blending Pumps, Nurse Tanks, Bulk Transfer Pumps and much more.

ABS Type Approval for the Flomax 40 - [Download PDF](#)



Application

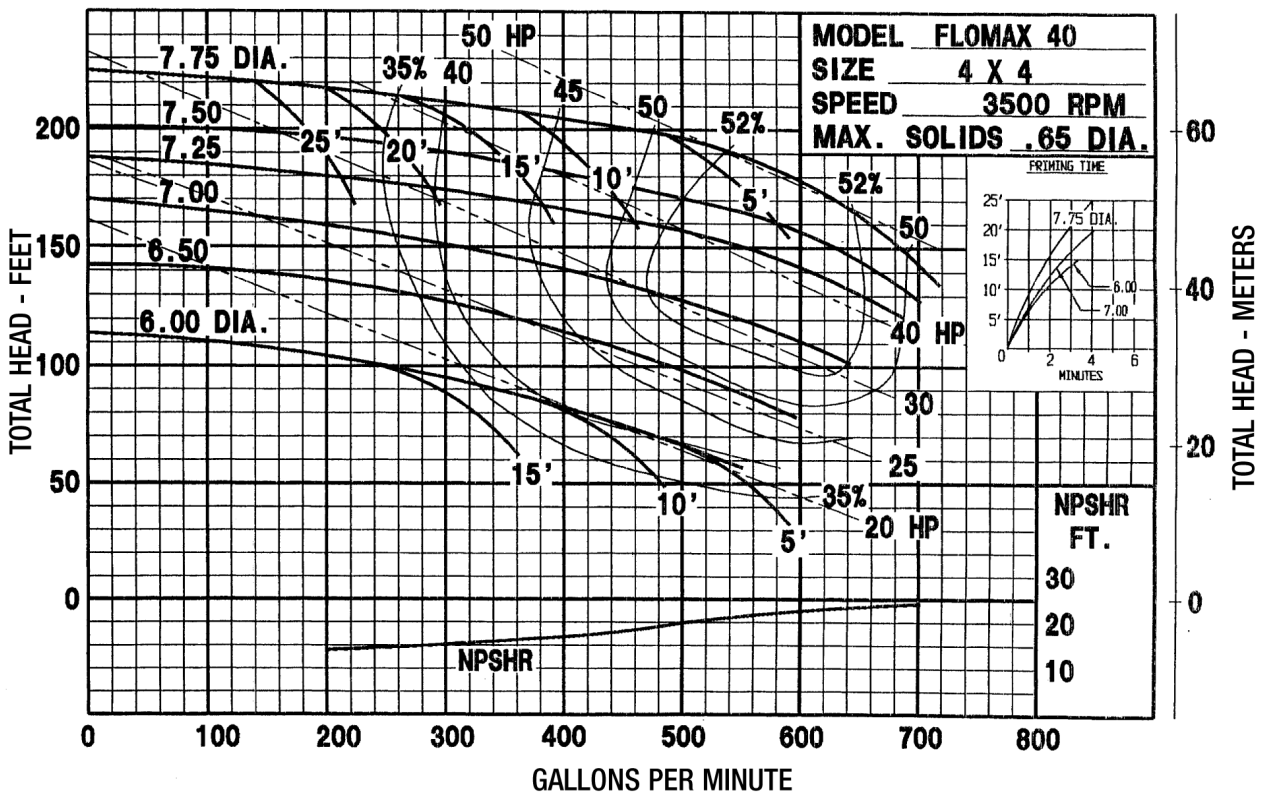
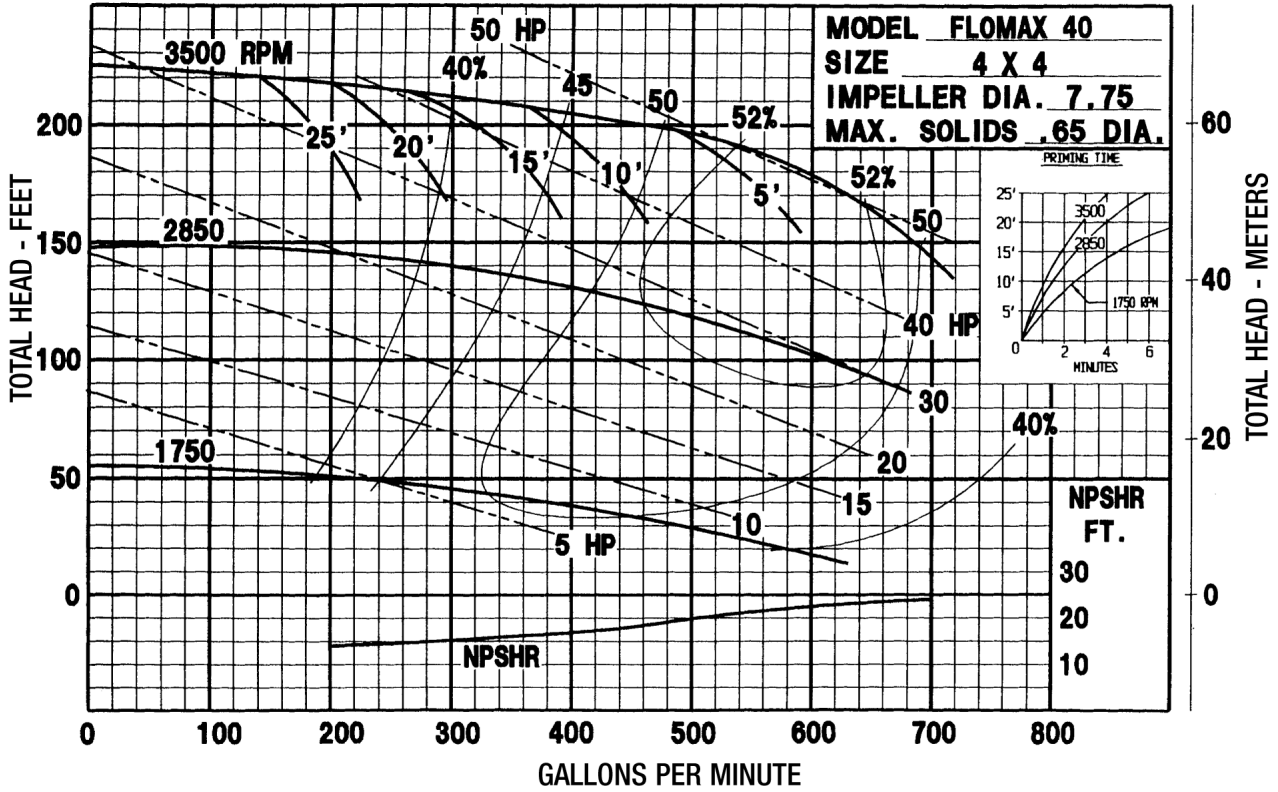
- Agricultural
- Industrial
- Marine
- OEM

Features

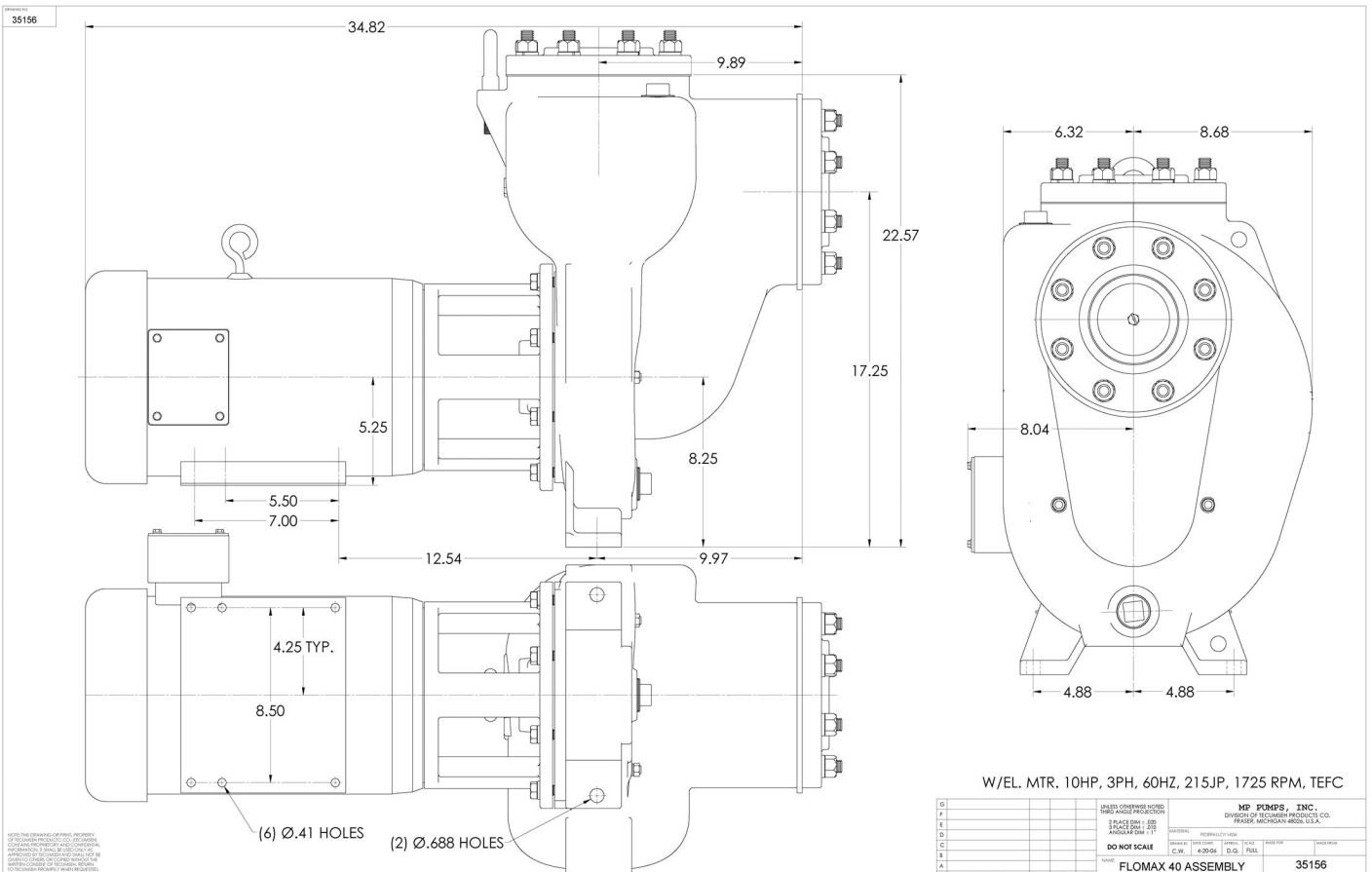
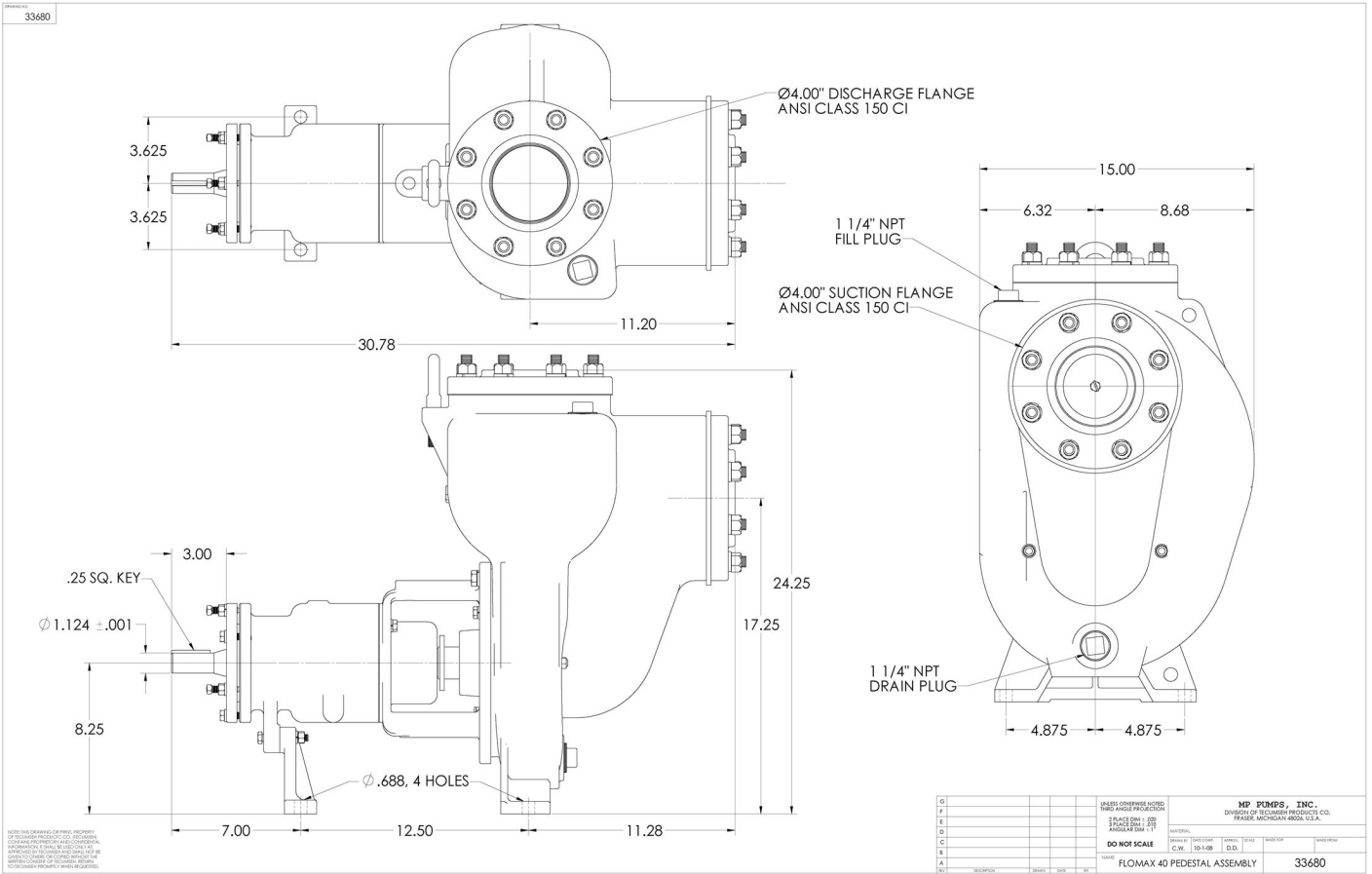
- Renewable wear plate
- Stainless steel drive sleeve
- Stainless steel fasteners
- Up to a 25' suction lift

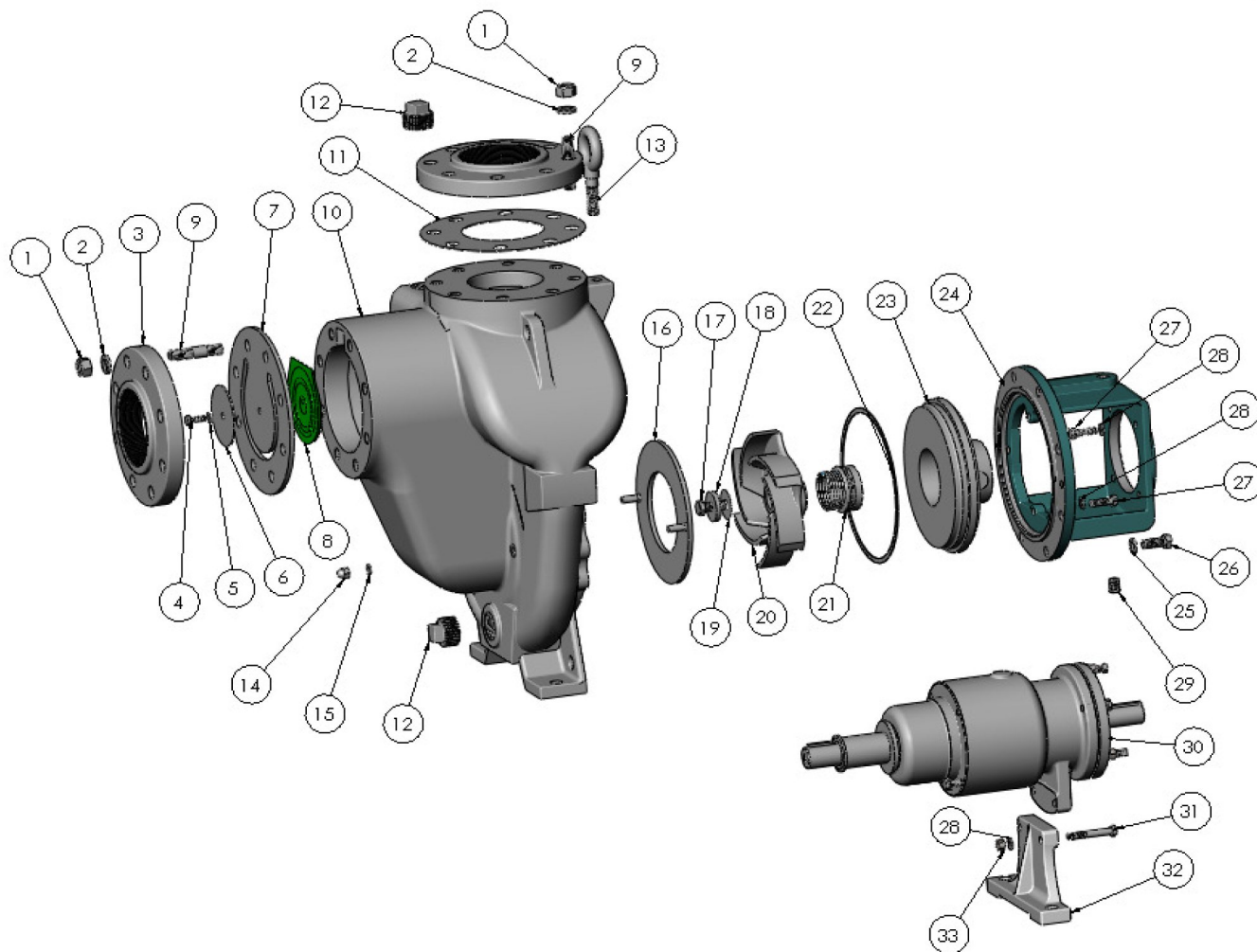
SPECIFICATIONS:

Suction And Discharge	4" x 4" NPT
Materials Of Construction	Cast iron
Flow	Up to 750 GPM
Head Feet	Up to 225'
Impeller	7.75" max diameter - semi open
Motor	Up to 50 HP
Drive Options	Pedestal, PumPAK® (without motor)
Seal	Special seal material combinations available (consult factory), Standard carbon / ceramic / Viton
Max Solid Size	.65"



FLOMAX 40





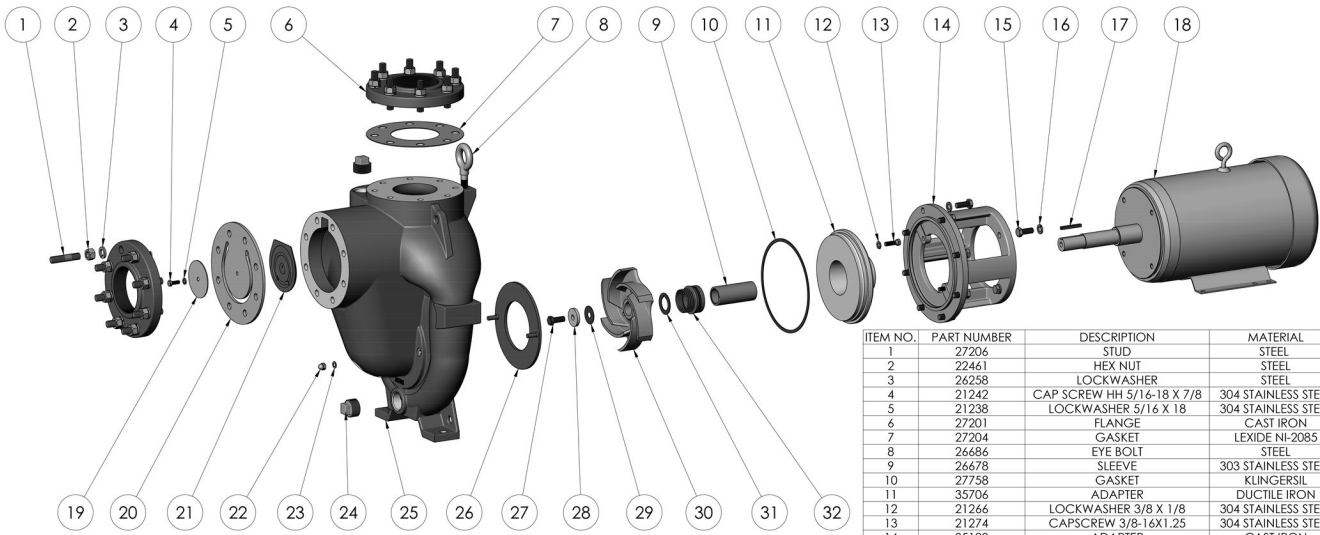
ITEM NO.	PART NO.	DESCRIPTION	QTY.
1	22461	HEX NUT STL - 5/8-11	16
2	26258	LOCKWASHER STL. - 5/8	16
3	27201	FLANGE INLET/OUTLET	2
4	21242	CAPSCREW S.S. - 5/16-18 X 7/8"	1
5	21238	LOCKWASHER S.S. - 5/16	1
6	41821	CHECKVALVE WEIGHT STL.	1
* 7	40690	GASKET- CHECKVALVE	1
8	40556	CHECKVALVE WEIGHT- UPPER	1
9	27206	STUD ZPS. - 5/8-11 X 3"	16
10	35704	HOUSING D	1
* 11	27204	GASKET - DISCHARGE - NI-2086	1
12	27205	PIPE PLUG - 1.25" NPT	2
13	26686	EYE BOLT STL - 5/8-11 X 2.12"	1
* 14	21263	ACORN NUT S.S. - 3/8-16	2
* 15	21271	ANNULAR GASKET	2
* 16	27202	WEAR PLATE STL	1
17	21274	CAPSCREW S.S. - 3/8-16 X 1.25"	1

ITEM NO.	PART NO.	DESCRIPTION	QTY.
18	26675	WASHER S.S. - 1.7 X .516 X .25	1
* 19	27403	GASKET- RULON	1
20	28149	IMPELLER D - 7.75" DIA.	1
* 21	26685	SEAL ASSY 1.75" - VITON	1
* 22	27758	GASKET - HOUSING	1
23	35706	ADAPTER C.I. - MECH. SEAL	1
24	26661	ADAPTER C.I.	1
25	21254	LOCKWASHER S.S. - 1/2"	8
26	21246	CAPSCREW S.S. - 1/2-13 X 1.25	8
27	21274	CAPSCREW S.S. - 3/8-16 X 1.25	9
28	21266	LOCKWASHER S.S. - 3/8"	14
29	41475	PIPEPLUG STL. - 1/4" NPT	1
* 30	33186	PED. BODY ASSY.	1
31	21275	CAPSCREW S.S. - 3/8-16 X 2.5	2
32	26667	BRACKET C.I. - SER 600 PED.	1
33	21268	HEXNUT S.S. - 3/8-16	2

*- RECOMMENDED REPLACEMENT PARTS

FLOMAX 40

35292



ITEM NO.	PART NUMBER	DESCRIPTION	MATERIAL	QTY.
1	27206	STUD	STEEL	16
2	22461	HEX NUT	STEEL	16
3	26258	LOCKWASHER	STEEL	16
4	21242	CAP SCREW HH 5/16-18 X 7/8	304 STAINLESS STEEL	1
5	21238	LOCKWASHER 5/16 X 18	304 STAINLESS STEEL	1
6	27201	FLANGE	CAST IRON	2
7	27204	GASKET	LEXIDE NI-2085	1
8	26686	EYE BOLT	STEEL	1
9	26678	SLEEVE	303 STAINLESS STEEL	1
10	27758	GASKET	KLINGERSIL	1
11	35706	ADAPTER	DUCTILE IRON	1
12	21266	LOCKWASHER 3/8 X 1/8	304 STAINLESS STEEL	2
13	21274	CAPSCREW 3/8-16X1.25	304 STAINLESS STEEL	2
14	35128	ADAPTER	CAST IRON	1
15	21246	CAPSCREW 1/2-13X1.25	304 STAINLESS STEEL	12
16	21254	LOCKWASHER 1/2"	304 STAINLESS STEEL	12
17	26796	SQUARE KEY	316 STAINLESS STEEL	1
18	35155	ELECTRIC MOTOR	TEFC	1
19	41821	CHECK VALVE	STEEL	1
20	40690	GASKET	ARMORITE	1
21	40556	CHECK VALVE	CAST IRON	1
22	21263	ACORN NUT	304 STAINLESS STEEL	2
23	21271	GASKET	VULCANIZED FIBER	2
24	27205	PIPE PLUG 1.25 NPT	CAST IRON	2
25	35704	VOLUTE	DUCTILE IRON	1
26	27202	WEAR PLATE	STEEL	1
27	26674	SEAL BOLT	303 STAINLESS STEEL	1
28	26675	IMPELLER WASHER	303 STAINLESS STEEL	1
29	27403	GASKET	RULON	1
30	28149	IMPELLER	DUCTILE IRON	1
31	27404	GASKET	RULON	1
32	26685	SEAL ASSEMBLY	C.C.V.	1

NOTE: THIS DRAWING IS FRASER PROPERTY AND IS NOT TO BE REPRODUCED OR TRANSMITTED IN ANY FORM OR BY ANY MEANS, ELECTRONIC OR MECHANICAL, INCLUDING PHOTOCOPYING, RECORDING, OR BY ANY INFORMATION STORAGE AND RETRIEVAL SYSTEM, WITHOUT THE WRITTEN PERMISSION OF FRASER PUMPS, INC.

DESIGN	DATE	BY	INSP	APPROV	FRASER PUMPS, INC. FRASER, MICHIGAN 48061 U.S.A.
REV	DATE	BY	INSP	APPROV	
UNLESS OTHERWISE NOTED: DIMENSIONS ARE IN INCHES AND DECIMALS THEREOF 3 PLACE DIM ± .005 2 PLACE DIM ± .010 ANGULAR DIM ± 1°					
DO NOT SCALE					
ORDER NUMBER	DATE	QUANTITY	UNIT PRICE	TOTAL PRICE	
FM40PMP C:10-3-215JP 1725 7.75					35292



34800 BENNETT - FRASER, MI 48026-1686
 (586) 293-8240 - FAX (586) 293-8469
 (800) 563-8006 - www.mppumps.com

FLOMAX 40