



# FLOMAX 30

## 3" x 3" Self Priming Centrifugal Pump

FLOMAX® 30 self-priming centrifugal pumps are capable of creating vacuum sufficient to lift liquids from heights up to 25 feet above the source. Once primed, the pump's built in flapper valve will maintain a full column of liquid in the suction line.

A FLOMAX® 30 PumPAK® is a fully assembled and run tested pump end that can be easily coupled to a number of drivers such as 182TC to 256TC frame motors and gas engines. A bearing pedestal is also available for T-frame motor or belt drive.

Standard features include stainless steel drive sleeve, stainless steel fasteners, renewable wear plate, and a semi-open dynamically balanced impeller.

The FLOMAX® series of pumps are commonly used in Industrial, OEM, Agricultural and Marine applications, such as: Bilge Pumps, Auxiliary Fire Pumps, Ballast Transfer Pumps, Washdown Pumps, Fertilizer and Pesticide Pumps, Applicators & Sprayers, Blending Pumps, Nurse Tanks, Bulk Transfer Pumps and much more.

ABS Type Approval for the Flomax 30 - [Download PDF](#)



### Application

- Agricultural
- Industrial
- Marine
- OEM

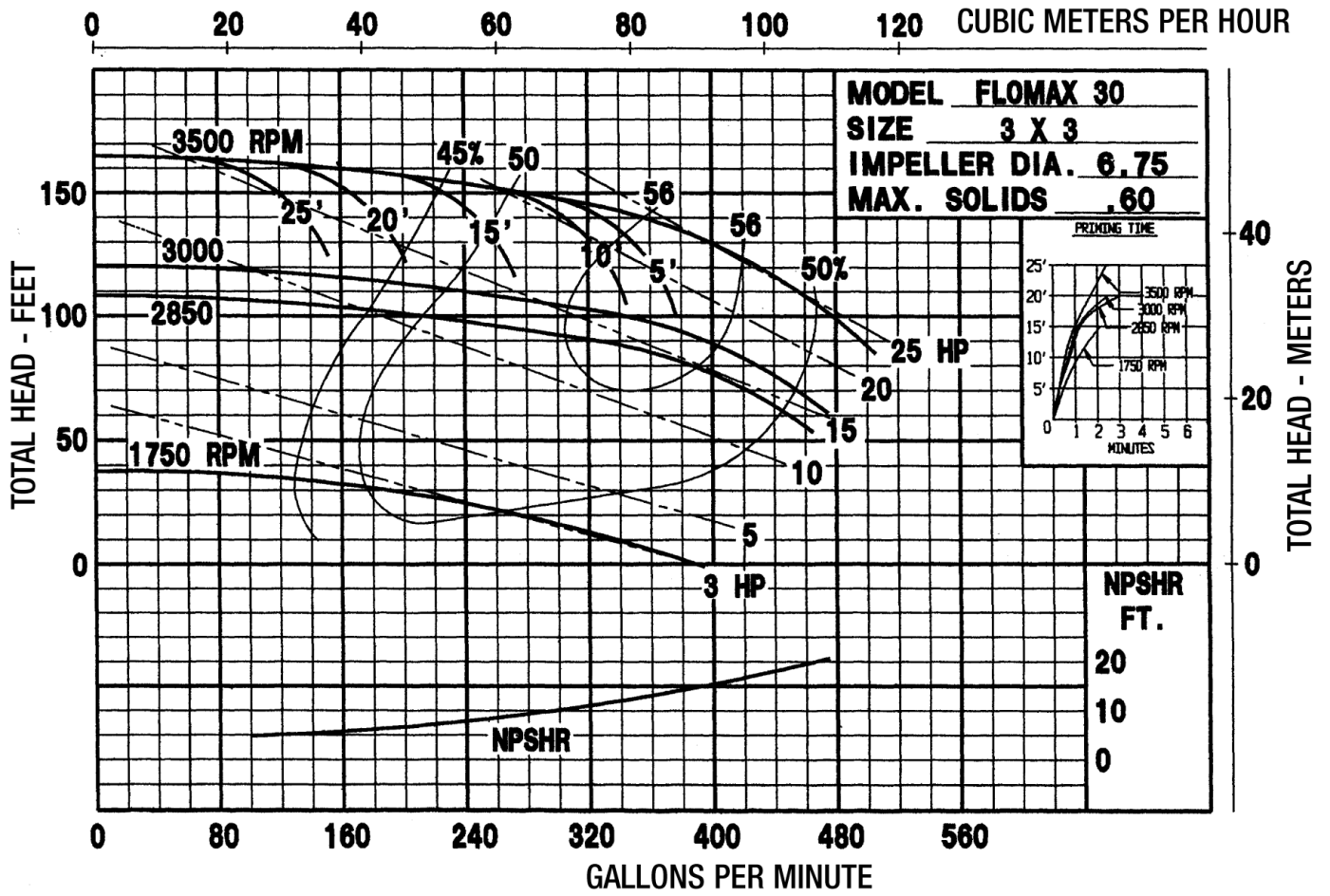
### Features

- Stainless steel drive sleeve
- Stainless steel fasteners
- Up to a 25' suction lift

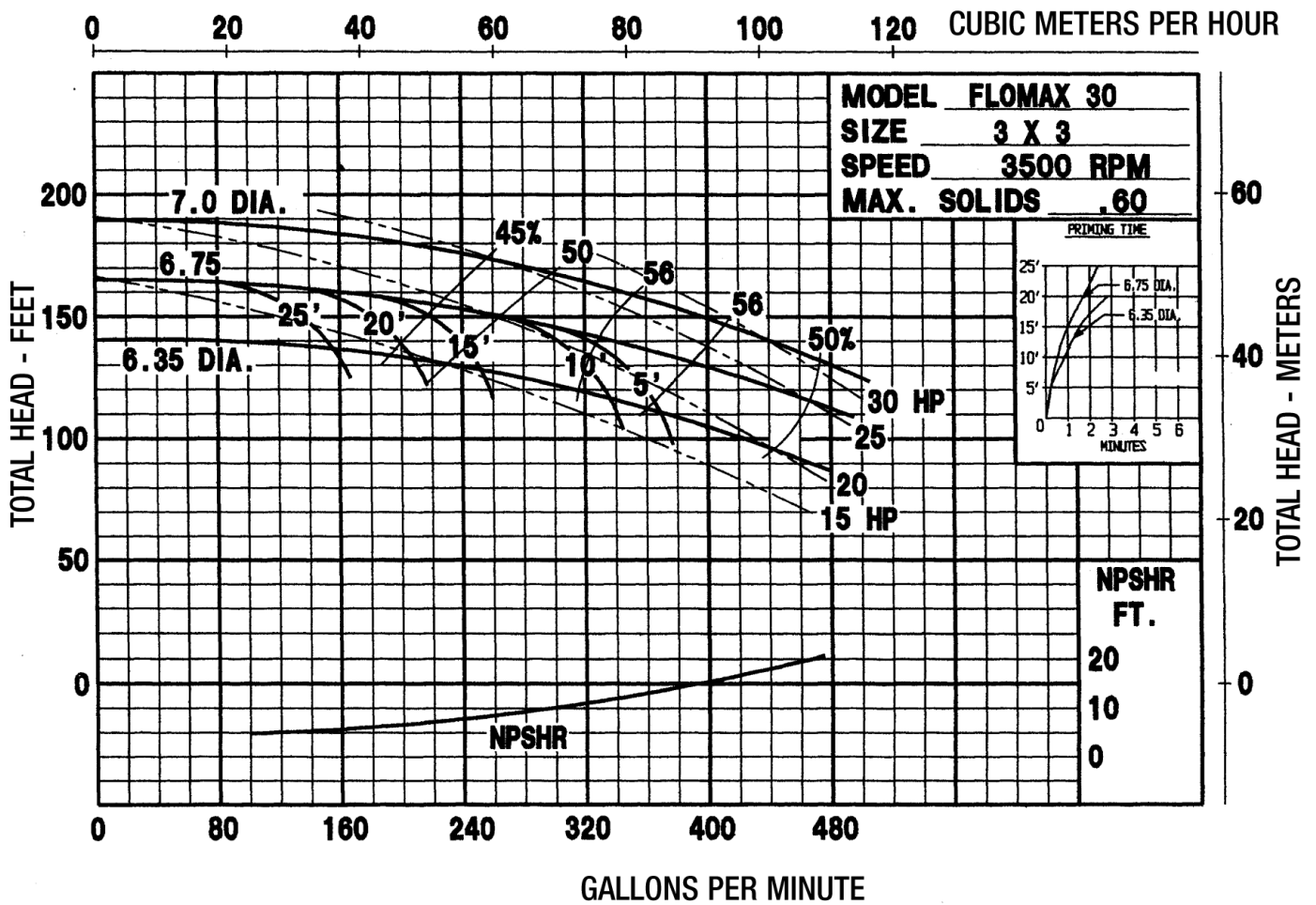
## SPECIFICATIONS:

Suction And Discharge	3" x 3" NPT
Materials Of Construction	Bronze, Cast iron
Flow	Up to 500 GPM
Head Feet	Up to 190'
Impeller	6.75" max diameter, 6-vane semi open
Motor	Up to 25 HP
Drive Options	Close coupled 184TC, Close coupled 215TC, Close coupled 256TC, Engine mount 25 HP, Pedestal, PumPAK® (without motor)
Seal	Special seal material combinations available (consult factory), Standard carbon / ceramic / Viton
Max Solid Size	.60"

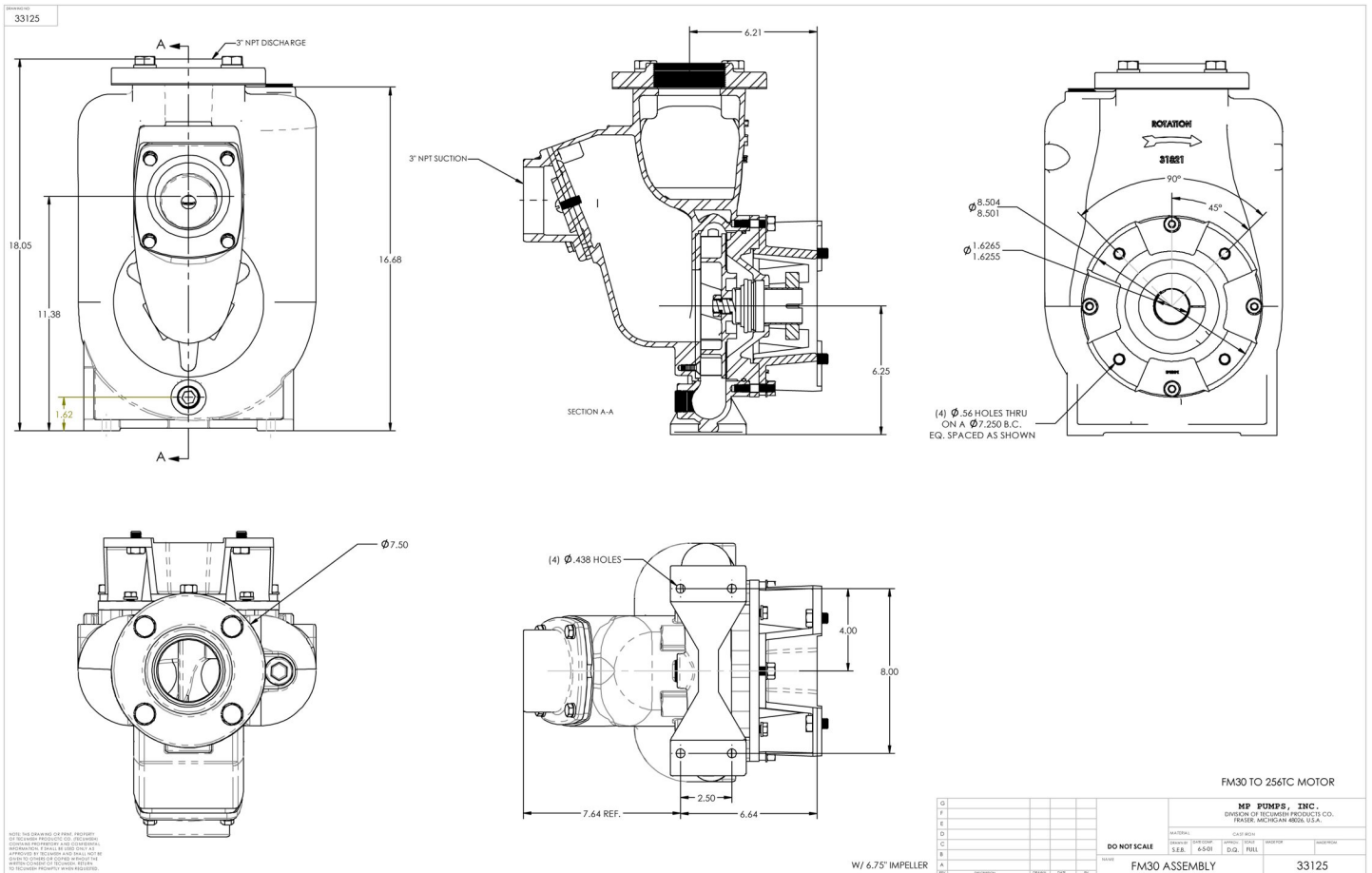
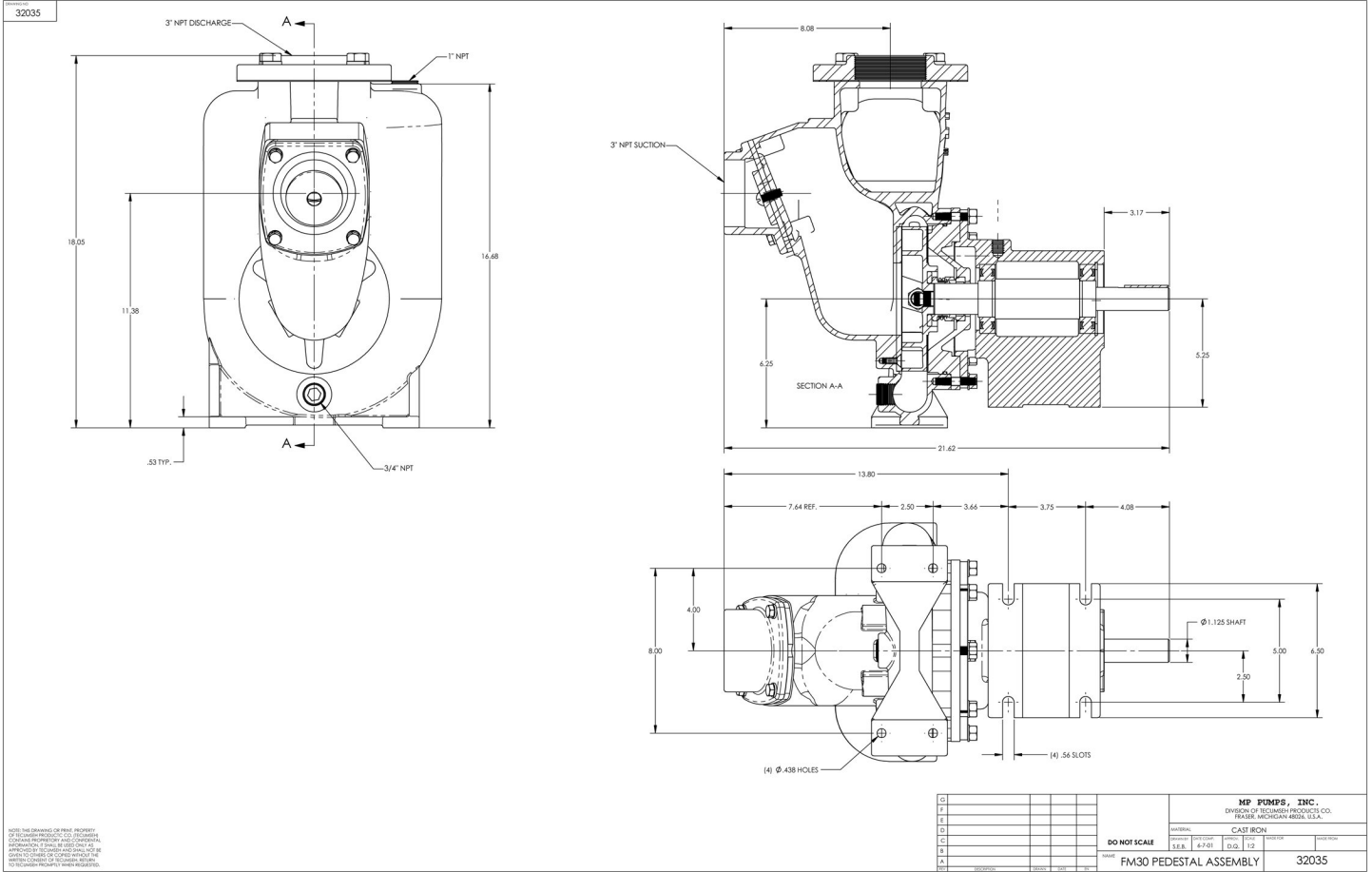
# FLOMAX 30



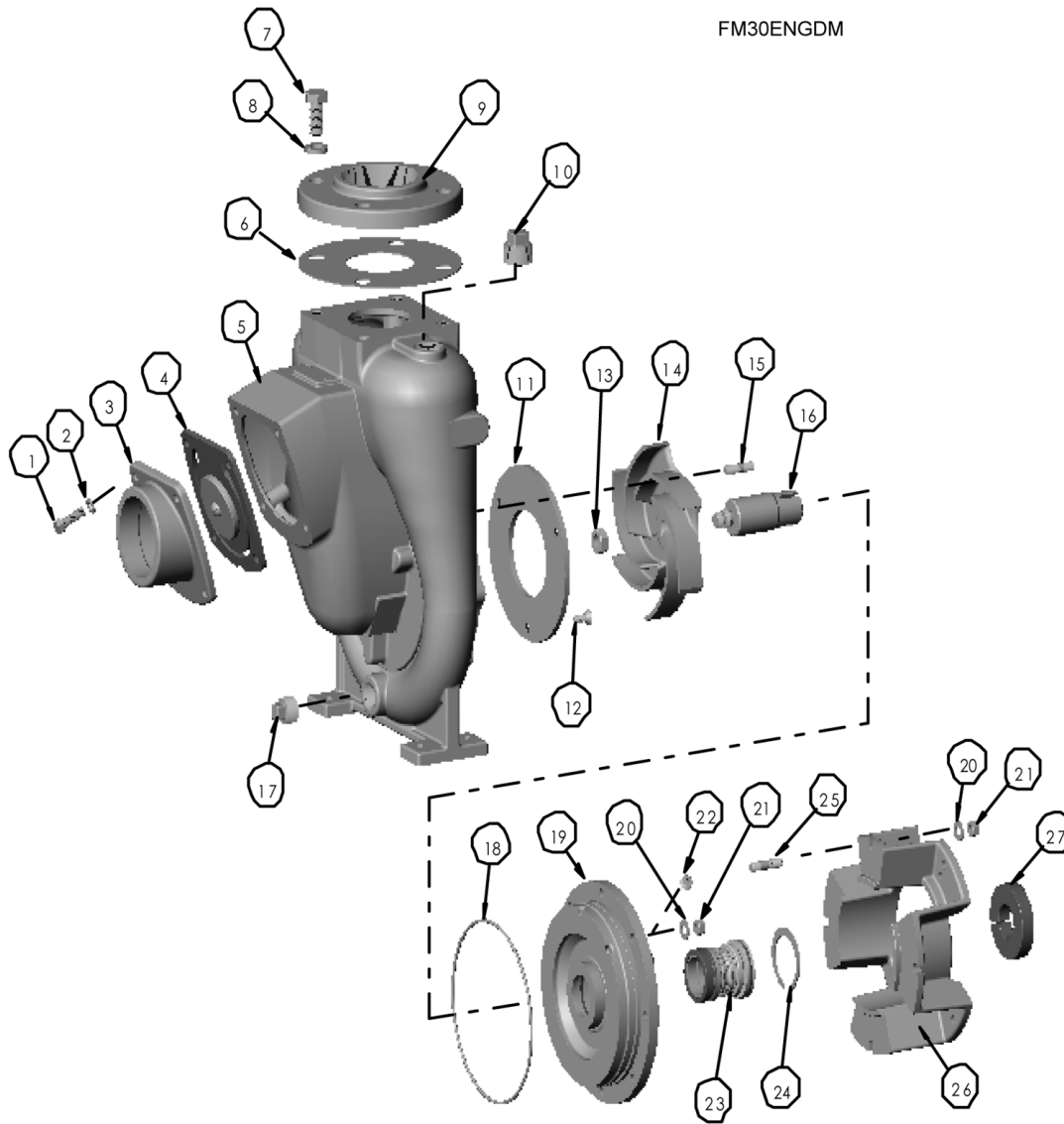
34800 BENNETT - FRASER, MI 48026-1686  
 (586) 293-8240 - FAX (586) 293-8469  
 (800) 563-8006 - www.mppumps.com



# FLOMAX 30



FM30ENGDM



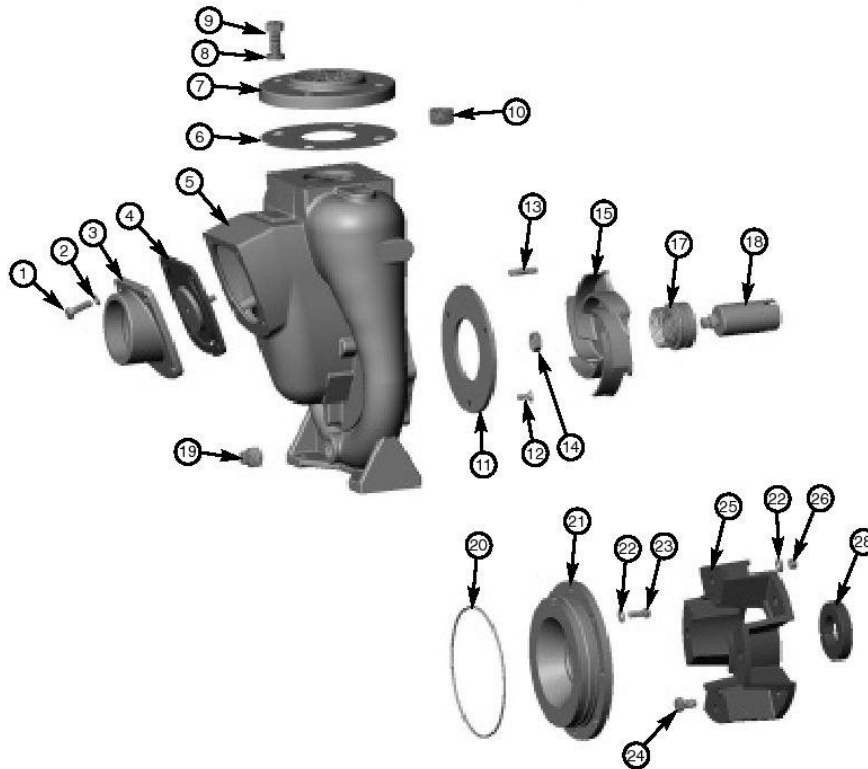
ITEM NO.	PART NO.	DESCRIPTION	QTY.	ITEM NO.	PART NO.	DESCRIPTION	QTY.
1	21274	CAP SCREW S.S.- 3/8-16 X 1.25"	4	20	28053	WASHER S.S.- 3/8"	8
2	21266	LOCK WASHER S.S.- 3/8	4	21	21268	HEX NUT S.S.- 3/8-16	8
3	40537	INLET FLANGE	1	22	32022	HEX. SOC. PIPE PLUG- 1/4" NPT	2
* 4	42147	FLAPPER ASS'Y	1	* 23	30660	DOUBLE MECH. SEAL- 1.50"	1
5	31822	HOUSING	1	24	29335	INT. SNAP RING	1
* 6	32034	GASKET	1	25	21261	STUD S.S.- 3/8-16 X 1 5/8"	4
7	32018	CAP SCREW S.S.- 5/8-11 X 1.375"	4	26	31829	ENGINE ADAPTER	1
8	26853	LOCK WASHER S.S.- 5/8	4	27	31099	DRIVE CLAMP	1
9	32033	DISCHARGE FLANGE- 3" NPT	1				
10	41483	PIPE PLUG- 1" NPT	1				
* 11	31830	WEAR PLATE	1				
* 12	32026	FLAT HD. SCREW S.S.- 5/16-18 X .75"	3				
* 13	29194	HEX JAM NUT S.S.- 5/8-18	1				
* 14	31820	IMPELLER- 7.00" DIA.	1				
15	21260	STUD S.S.- 3/8-16 X 1.44"	4				
* 16	31094	DRIVE SLEEVE S.S.	1				
17	41481	PIPE PLUG- 3/4" NPT	1				
* 18	32020	O-RING- VITON	1				
19	31827	SEAL HOUSING	1				

\*- RECOMMENDED REPLACEMENT PARTS

# MP PUMPS SERVICE PARTS LIST

FLOMAX 30 Single Seal

CC Pumpak



PART NO.	ITEM NO.	DESCRIPTION	QTY.	PART NO.	ITEM NO.	DESCRIPTION	QTY.
21274	1	Capscrew SS 3/8-16 x 1.25"	4	31374	17	Mechanical Seal*	1
21266	2	Lockwasher SS 3/8"	6	31831	18	Drive Sleeve 1"	1
40537	3	Inlet Flange	1	31094	18	Drive Sleeve 1.125**	1
42147	4	Flapper Assembly*	1	31311	18	Drive Sleeve 1.375**	1
31822	5	Housing	1	31833	18	Drive Sleeve 1.625**	1
32034	6	Gasket*	1	41481	19	Pipe Plug 3/4" NPT	1
32033	7	Discharge Flange - 3" NPT	1	32020	20	O-Ring Viton*	1
26853	8	Lockwasher - 5/8"	4	31824	21	Seal Housing	1
32018	9	Capscrew SS 5/8-11 x 1.5"	4	28053	22	Washer SS 3/8"	8
22379	10	Pipe Plug - 1" NPT	1	21251	23	Capscrew SS 3/8-16 x .875"	4
31830	11	Wearplate*	1	33160	24	Capscrew SS 7/16-14 x .75"	4
32026	12	Flat Head Screw SS 5/16-18 x .75**	3	31829	25	Adaptor - Engine	1
33161	13	Stud SS 3/8-16 x 2.0"	4	31907	25	Adaptor - 184/215TC Motor	1
29194	14	Hex Jam Nut SS 5/8-18"	1	31892	25	Adaptor - 256TC Motor	1
31819	15	Impeller 7.0**	1	33688	25	Adaptor - 286TSC Motor	1
33177	15	Impeller 6.75**	1	21268	26	Hex Nut SS 3/8-16	6
33178	15	Impeller 6.35**	1	21269	27	Capscrew SS 3/8-16 x 2.25"	2
31838	16	Spacer	1	22356	28	Drive Clamp	2

\*-RECOMMENDED REPLACEMENT PARTS



Form 7096-A

01/06

# MP PUMPS SERVICE PARTS LIST

FLOMAX 30 Single Seal

Pedestal Pump

ITEM NO.	PART NO.	DESCRIPTION	QTY.
* 14	29194	Hex Jam Nut SS 5/8-18	1
* 15	31819	Impeller 7.0"	1
* 15	33177	Impeller 6.75"	1
* 15	33178	Impeller 6.35"	1
16	31838	Spacer	1
* 17	31374	Mechanical seal	1
* 18	32020	O-Ring Viton	1
19	31824	Seal Housing	1
* 20	41481	Pipe plug 3/4" NPT	1
21	28053	Washer SS 3/8"	8
22	21268	Hex Nut SS 3/8-16	8
23	31906	Bearing Housing	1
24	31804	Ball Bearing	1
25	31839	Drive Shaft	1
26	31803	Retaining Ring	1
27	26796	Square Key .25" x 2.12"	1



## MP PUMPS, INC.

TECUMSEH PRODUCTS COMPANY  
 34800 BENNETT DRIVE • FRASER, MI 48026-1686  
 (586) 293-8240 • FAX (586) 293-8469  
 (800) 563-8006

## Form 7098-A

10/04

Page 2 of 2