



# CHEMFLO 2 CC

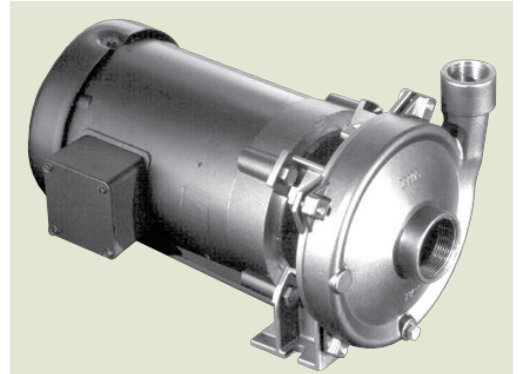
## 1-1/2" x 1" End Suction Centrifugal Pump

Made with high quality investment cast 316 stainless steel components, the ChemFlo® series of pumps are designed to be applied in a wide range of pumping applications where stainless steel is required.

ChemFlo® 2 pumps utilize a semi-open impeller design to allow for passage of larger solid sizes. Several seal options are available in addition to the standard type 2100 carbon / ceramic / Viton mechanical seal.

ChemFlo® 2 pumps are offered in two configurations, pump (with motor) and PumPAK® (without motor) versions. Motors available are 56C and 145TC. If ordering a PumPAK for a 145TC motor please note that the electric motor must have a base.

Other drive options are available. Further expanding the versatility of the ChemFlo® series is the CFB 2 pump, a ChemFlo® 2 in NiBrAl material. All wetted parts are produced in CA 958 nickel aluminum bronze including the drive sleeve to maximize corrosion protection in seawater applications.



### Application

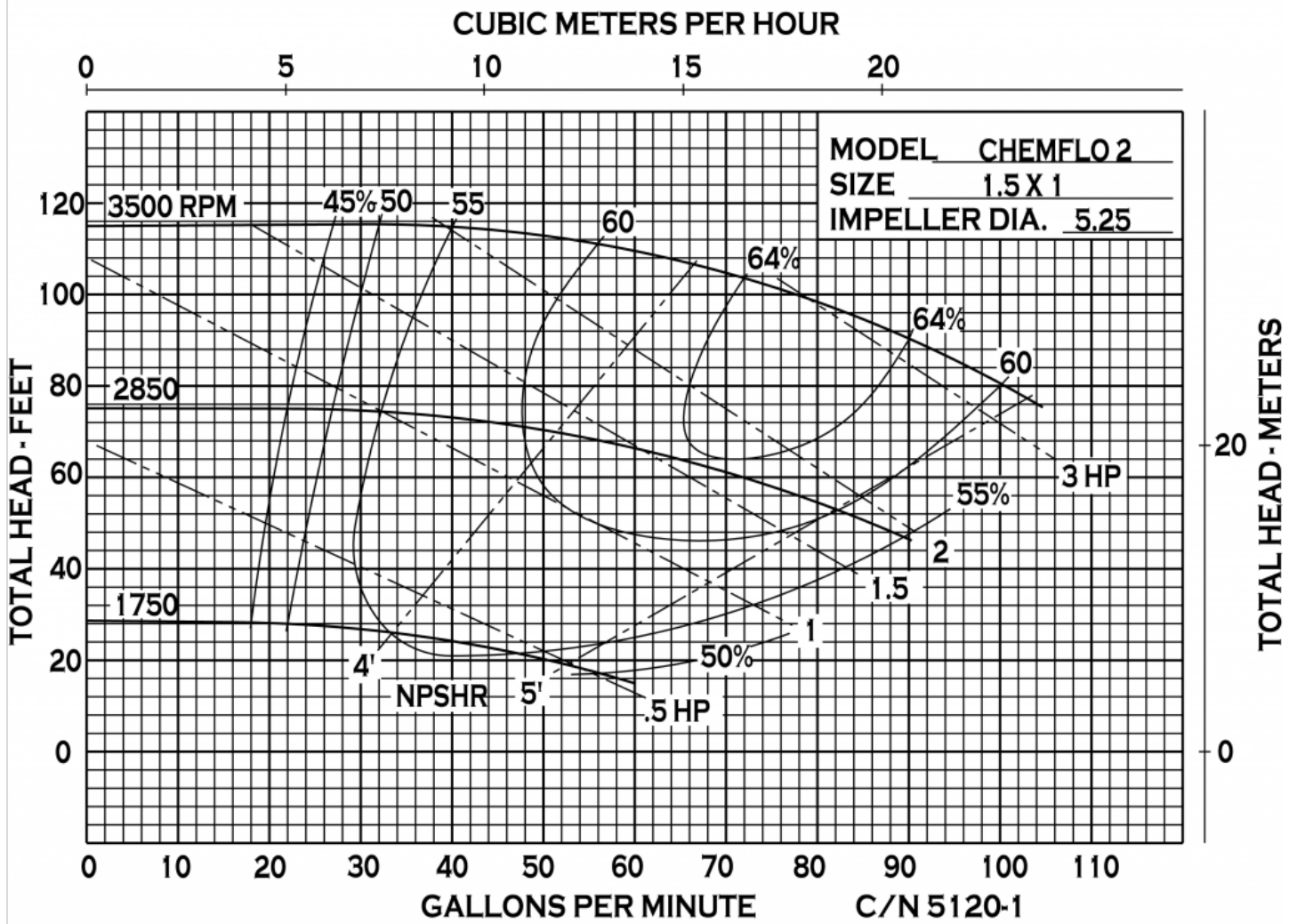
- Agricultural
- Commercial
- Industrial
- Marine
- OEM

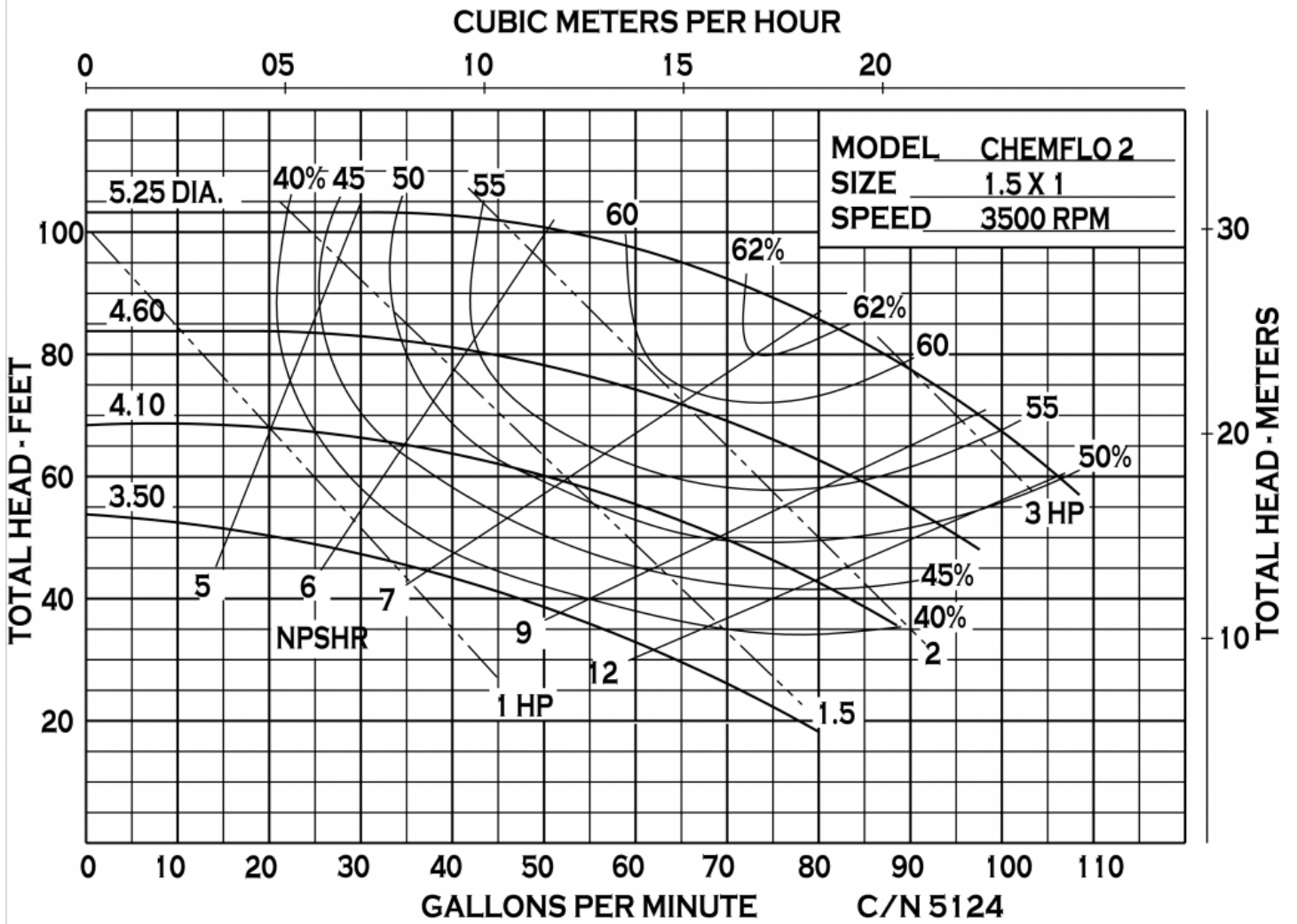
### Drive Sleeve

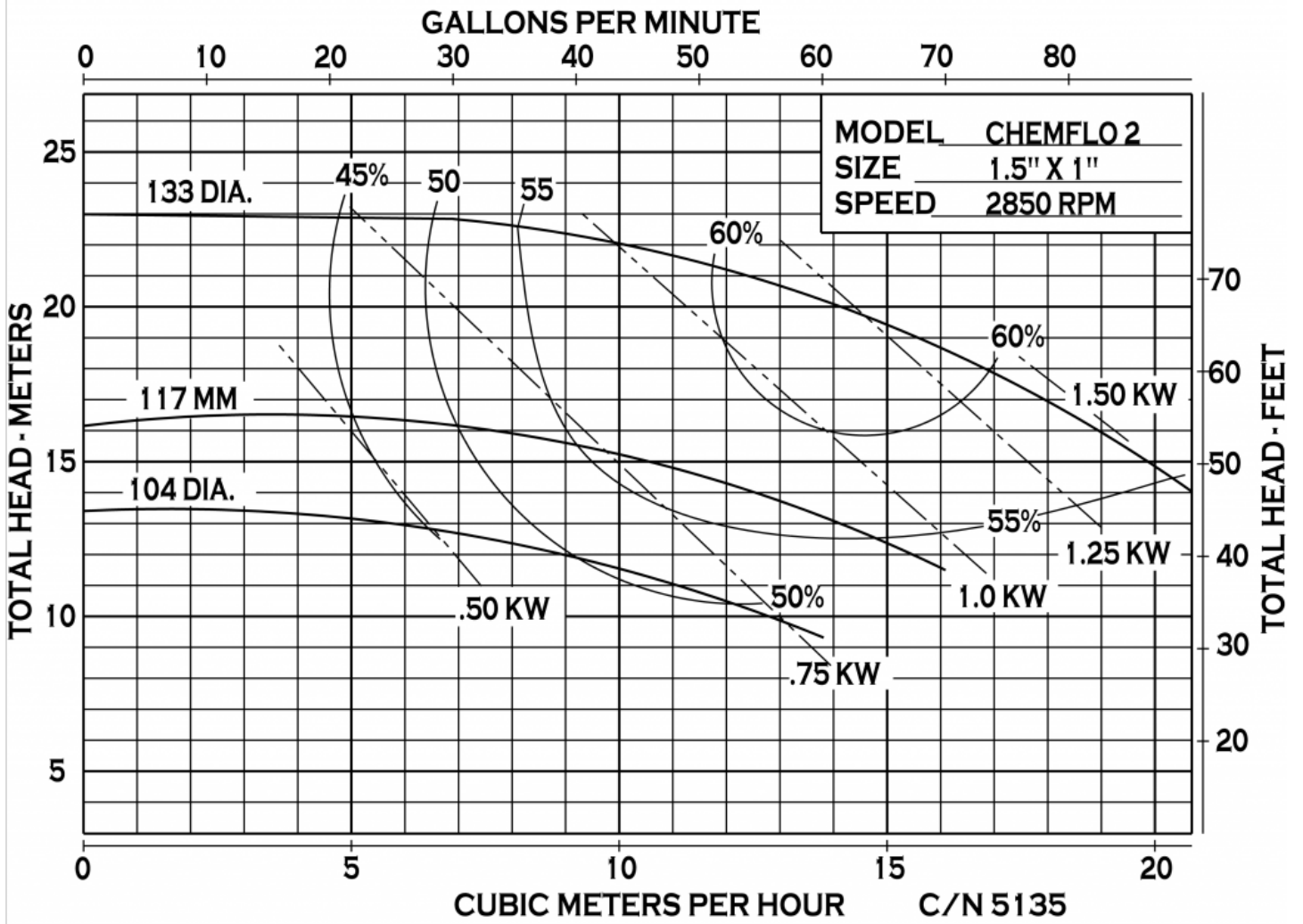
- 316 stainless steel

## SPECIFICATIONS:

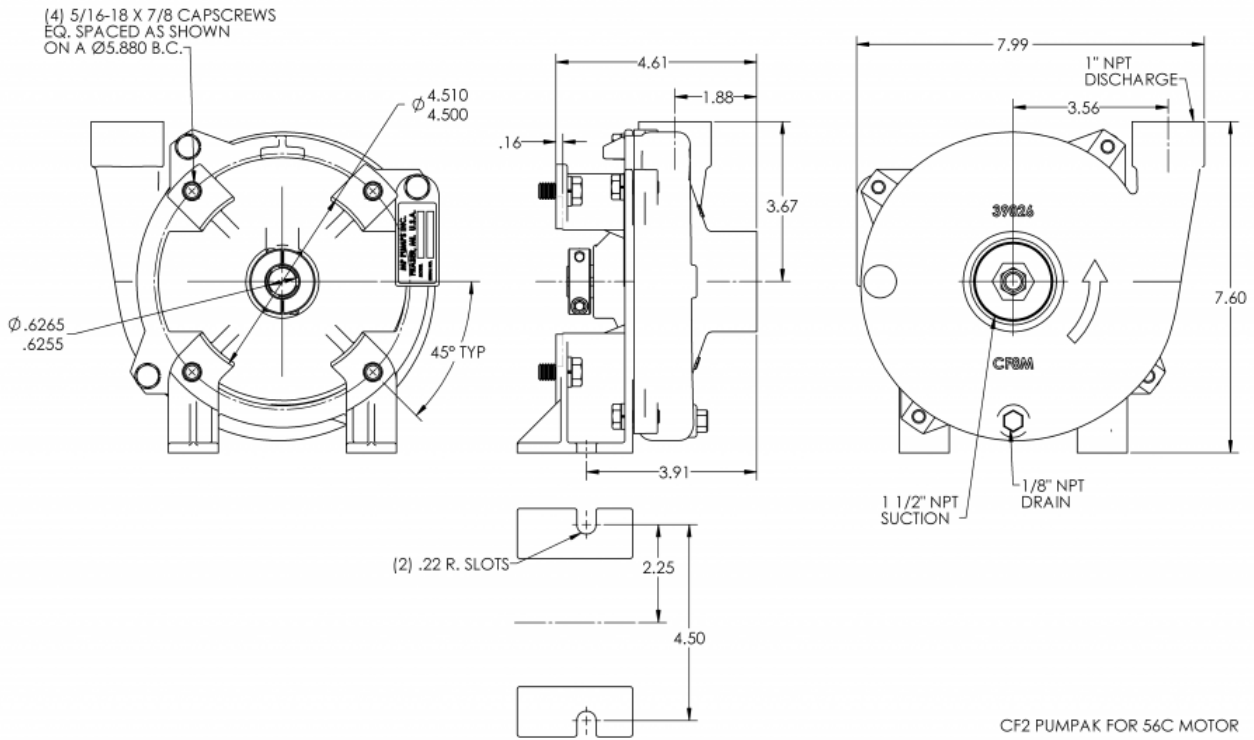
Suction And Discharge	1-1/2" x 1" NPT
Materials Of Construction	316 stainless steel, CFB (nickel aluminum bronze)
Flow	Up to 100 GPM
Head Feet	Up to 108'
Impeller	5.25" semi-open, cast 316 stainless steel
Motor	Up to 3 HP
Drive Options	Close coupled 56C, Close coupled 145TC, Pedestal, PumPAK® (without motor)
Seal	Special seal material combinations available (consult factory), Standard carbon / ceramic / Viton
Options	Hydraulic motor .22 cu. in., Hydraulic motor .37 cu. in., Tap for recirculation or seal flush







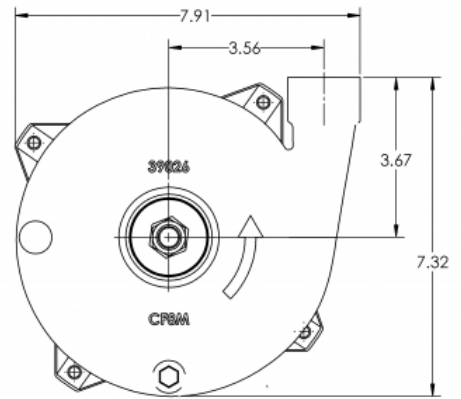
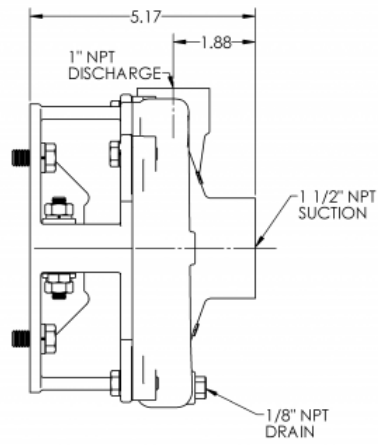
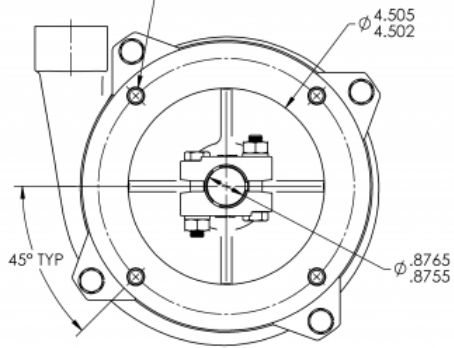
# CHEMFLO 2 CC



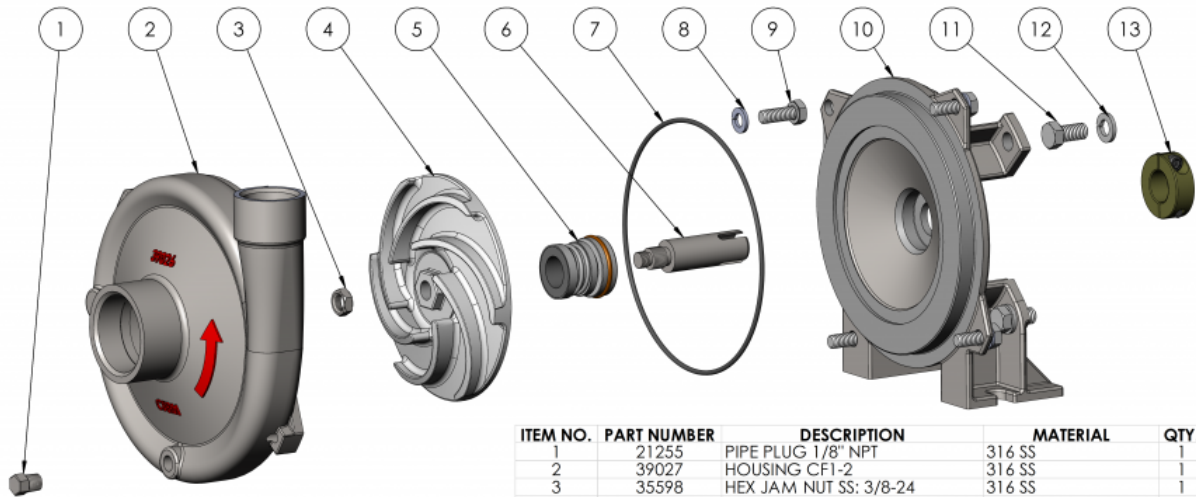
CF2 PUMPAK FOR 56C MOTOR

# CHEMFLO 2 CC

Ø.44 THRU (4) HOLES  
EQ. SPACED AS SHOWN  
ON A Ø5.880 B.C.

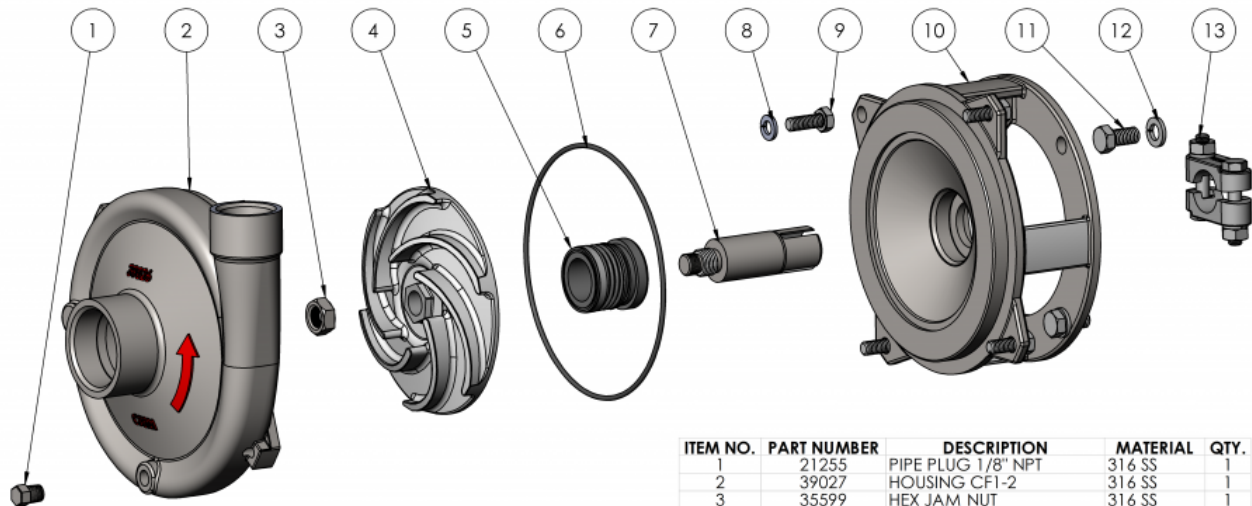


CF2 PUMPAK FOR 145TC MOTOR



CF2 PUMPAK FOR 56C MOTOR

ITEM NO.	PART NUMBER	DESCRIPTION	MATERIAL	QTY.
1	21255	PIPE PLUG 1/8" NPT	316 SS	1
2	39027	HOUSING CF1-2	316 SS	1
3	35598	HEX JAM NUT SS: 3/8-24	316 SS	1
4	29912	IMPELLER Ø5.25	316 SS	1
4	30234	IMPELLER Ø4.60	316 SS	1
4	30235	IMPELLER Ø4.10	316 SS	1
4	30236	IMPELLER Ø3.50	316 SS	1
5	29168	SEAL ASSEMBLY 3/4"	CAR/SIC	1
5	34380	SEAL ASSEMBLY 3/4"	SILICONE	1
5	30061	SEAL ASSEMBLY 3/4"	CCS/VITON	1
5	30358	SEAL ASSEMBLY 3/4"	EPT	1
5	30054	SEAL ASSEMBLY 3/4"	TEFLON/CCS	1
6	29785	DRIVE SLEEVE	316 SS	1
7	30066	O-RING AS-568-163	TEFLON ENCAPS SIL.	1
7	31230	O-RING AS-568-162	EPDM	1
7	29715	O-RING AS-568-162	VITON	1
7	35290	O-RING AS-568-162	NEOPRENE	1
7	39375	O-RING AS-568-162	BUNA	1
7	50524	O-RING AS-568-162	AFLAS	1
8	21238	LOCKWASHER 5/16 X 18	304 SS	4
9	21242	CAP SCREW HH 5/16-18 X 7/8	304 SS	4
10	29908	ADAPTER 56C	CF8M SS	1
11	25663	CAPSCREW 3/8-16 X 3/4	304 SS	4
12	21266	LOCKWASHER 3/8 X 1/8	304 SS	4
13	28049	CLAMP 56C	ZINC PLATED STEEL	1



ITEM NO.	PART NUMBER	DESCRIPTION	MATERIAL	QTY.
1	21255	PIPE PLUG 1/8" NPT	316 SS	1
2	39027	HOUSING CF1-2	316 SS	1
3	35599	HEX JAM NUT	316 SS	1
4	34208	IMPELLER 5.25 DIA.	316 SS	1
4	30234	IMPELLER 4.60 DIA.	316 SS	1
4	30235	IMPELLER 4.10 DIA.	316 SS	1
4	30236	IMPELLER 3.50 DIA.	316 SS	1
5	22273	SEAL ASSEMBLY 1" T-2100	CCS VITON	1
5	22560	SEAL ASSEMBLY 1"	SVC SSC	1
5	22273	SEAL ASSEMBLY 1"	CCS/VITON	1
6	31230	O-RING AS-568-162	EPDM	1
6	30066	O-RING AS-568-163	TEFLON	1
6	29715	O-RING AS-568-162	VITON	1
6	35290	O-RING AS-568-162	NEOPRENE	1
6	39375	O-RING AS-568-162	BUNA	1
6	50524	O-RING AS-568-162	AFLAS	1
7	35753	DRIVE SLEEVE 145TC	316 SS	1
8	21238	LOCKWASHER 5/16 X 18	304 SS	4
9	21242	CAP SCREW HH 5/16-18 X	304 SS	4
10	33794	ADAPTER 145TC	316 SS	1
11	25663	CAPSCREW 3/8-16 X 3/4	304 SS	4
12	21266	LOCKWASHER 3/8 X 1/8	304 SS	4
13	23003	CLAMP ASSEMBLY	316 SS	1

CF2 PUMPAK FOR 145TC MOTOR