



# CFX 75 HYDRAULIC

## 3/4" x 3/4" End Suction Centrifugal Pump

The CFX 75-Hydraulic is a hydraulically driven high performance 316 stainless steel end suction centrifugal pump. The CFX 75-Hydraulic is ideal for marine, agricultural, commercial or industrial transfer applications of compatible fluids.

The CFX 75-Hydraulic model features all 316 stainless steel components for superior corrosion resistance when pumping chemical compounds. A carbon / ceramic / Viton bellows shaft seal is standard. Ports are 3/4" NPT or 1" hose connections. The pump discharge port may be rotated in 90° increments.

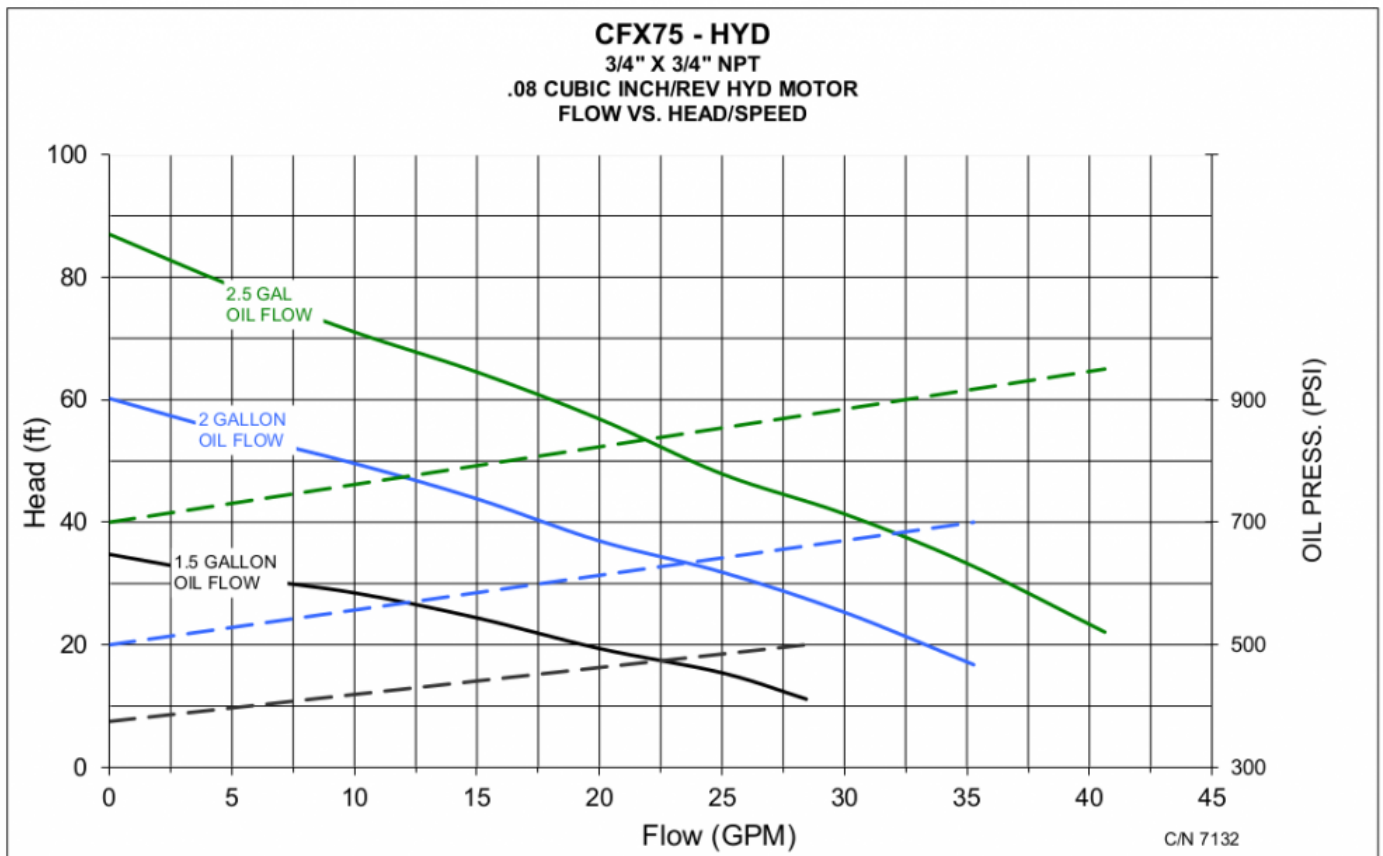


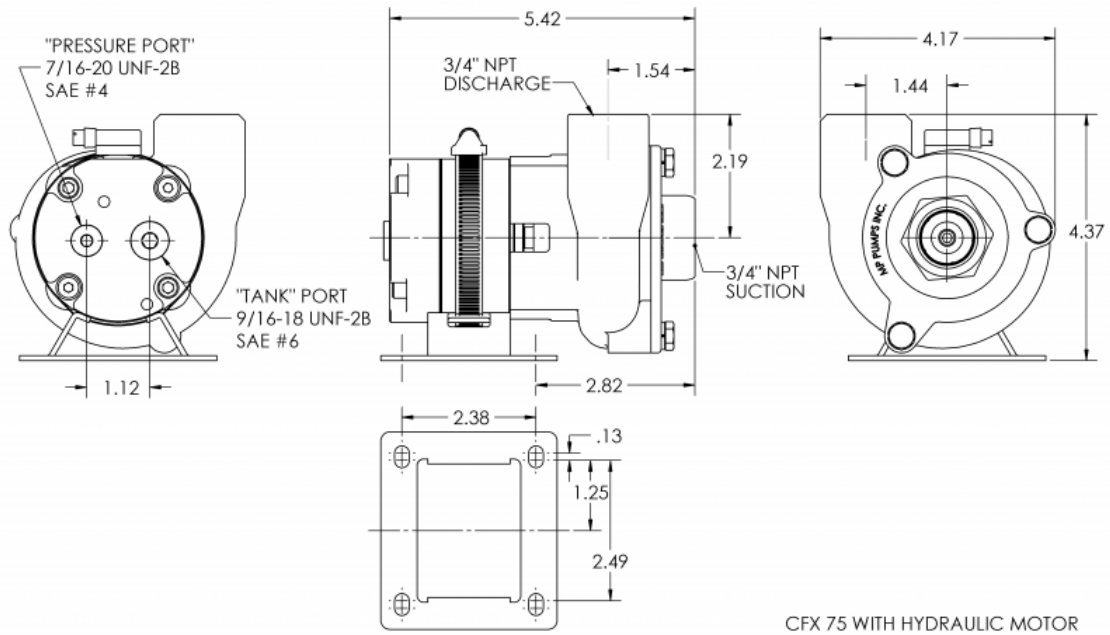
### SPECIFICATIONS:

Suction And Discharge	3/4" NPT x 3/4" NPT
Materials Of Construction	316 stainless steel
Flow	Up to 46 GPM
Head Feet	Up to 125'
Impeller	316 Stainless steel, Semi-Open (Sintered PM)
Drive Options	Hydraulic motor .08 cu. in.
Seal	Special seals upon request, Standard carbon / ceramic / Viton
Psi	Up to 54
Hydraulic Fluid Flow	Up to 3 GPM
Hydraulic System Pressure	UP to 1250 PSI

### Application

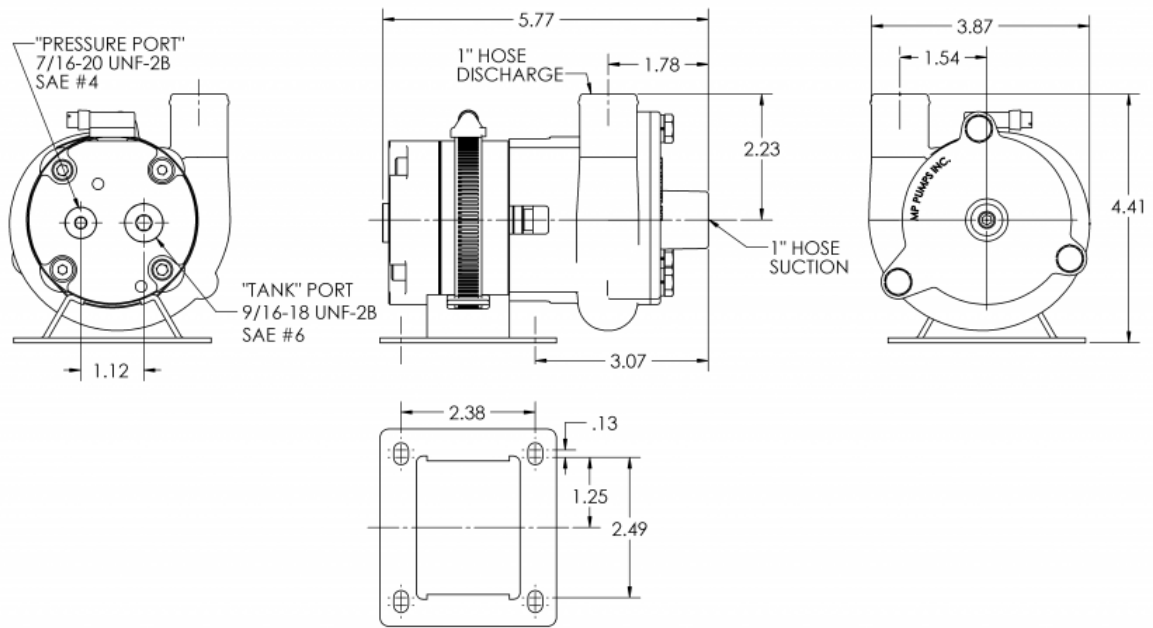
- Agricultural
- Commercial
- Industrial
- Marine
- OEM
- Transportation





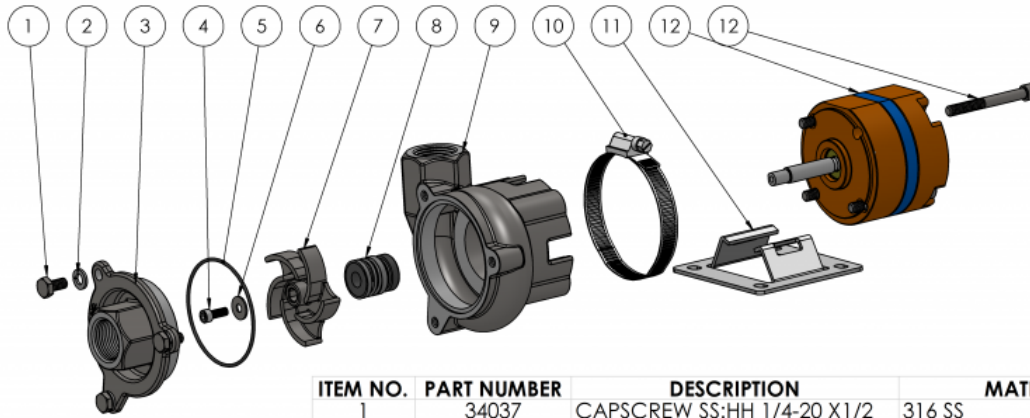
CFX 75 WITH HYDRAULIC MOTOR

# CFX 75 HYDRAULIC



CFX 75H HYDRAULIC

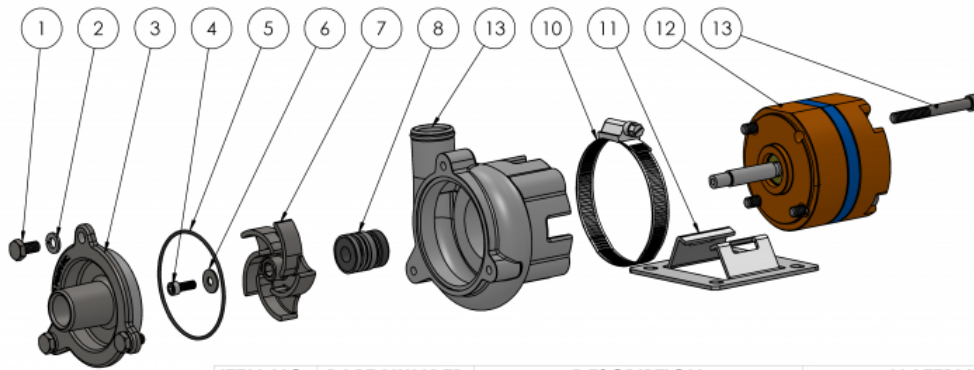
# CFX 75 HYDRAULIC



ITEM NO.	PART NUMBER	DESCRIPTION	MATERIAL	QTY.
1	34037	CAPSCREW SS:HH 1/4-20 X1/2	316 SS	3
2	33564	LOCKWASHER 1/4"	304 SS	3
3	34035	COVER	316 SS	1
4	38106	CAPSCREW	SS DUPLEX 2507	1
5	34040	O-RING AS-568-037	VITON	1
5	35497	O-RING AS-568-037	BUNA	1
6	38107	WASHER	316 SS	1
7	34033	IMPELLER	316 SS	1
8	34038	SEAL ASSEMBLY T-16	CCV	1
8	28841	SEAL ASSEMBLY T-16	CAR/SIL ZETPOL	1
8	36055	SEAL ASSEMBLY T-16	CAR/SILCAR VITON	1
8	36863	SEAL ASSEMBLY T-21	CAR/SILCAR VITON	1
8	38266	SEAL ASSEMBLY T-16	CAR/CERAMIC EPDM	1
8	39170	SEAL ASSEMBLY T-21	SILCAR/SILCAR/VITON	1
9	34032	HOUSING	316 SS	1
10	34246	HOSE CLAMP	SS	1
11	33311	BASE	STEEL	1
12	36197	CAPSCREW 1/4-20 X 2.25	STEEL SAE J429 GRADE 8	2
12	36209	HYDRAULIC MOTOR ASSY	GEROTOR: TYPE 6022	1

CFX 75 WITH HYDRAULIC MOTOR

# CFX 75 HYDRAULIC



ITEM NO.	PART NUMBER	DESCRIPTION	MATERIAL	SERVICE
1	34037	CAPSCREW SS:HH 1/4-20 X1/2	316 SS	1
2	33564	LOCKWASHER 1/4"	304 SS	1
3	37239	COVER	316 STAINLESS STEEL	1
4	38106	CAPSCREW	SS DUPLEX 2507	1
5	34040	O-RING AS-568-037	VITON	1
5	35497	O-RING AS-568-037	BUNA	1
6	38107	WASHER	316 SS	1
7	34033	IMPELLER	316 SS	1
8	34038	SEAL ASSEMBLY T-16	CCV	1
8	28841	SEAL ASSEMBLY T-16	CAR/SIL ZETPOL	1
8	36055	SEAL ASSEMBLY T-16	CAR/SILCAR VITON	1
8	36863	SEAL ASSEMBLY T-21	CAR/SILCAR VITON	1
8	38266	SEAL ASSEMBLY T-16	CAR/CERAMIC EPDM	1
8	39170	SEAL ASSEMBLY T-21	SILCAR/SILCAR/VITON	1
10	34246	HOSE CLAMP	SS	1
11	33311	BASE	STEEL	1
13	36197	CAPSCREW 1/4-20 X 2.25	STEEL SAE J429 GRADE 8	2
12	36209	HYDRAULIC MOTOR ASSY	GEROTOR: TYPE 6022	1
13	37237	HOUSING	316 SS	1

CFX 75H HYDRAULIC