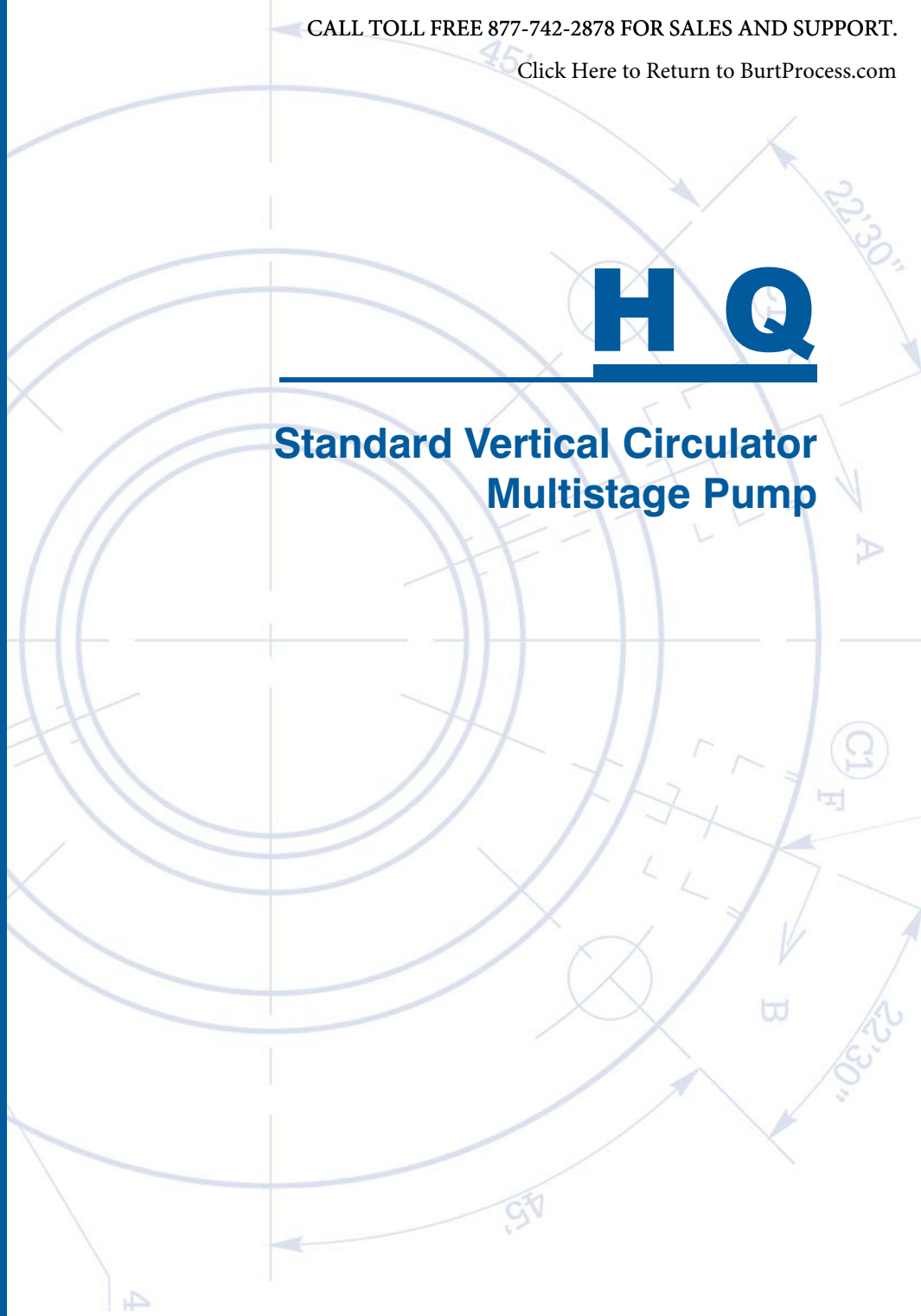




H Q

**Standard Vertical Circulator
Multistage Pump**



HQ

Vertical Circulator Pump

For over 50 years the name Ruhrpumpen has been synonymous worldwide with innovation and reliability for pumping technology.

Vertical pumps consist of a bowl assembly, single stage or multistage, suspended on a column and/or discharge head.

The length of the column is determined by the application. Vertical wet pit pumps of bowl construction have certain inherent advantages over all other pump types:

1. They can be designed with high efficiency over the entire specific speed range, with specific speed indicating the desired flow to head ratio.
2. The available net positive suction head at the first stage impeller can be increased by increasing the pump length (lowering).
3. The pump, is self-aligning in that all critical flanged joints have mating male and female rabbit fits.

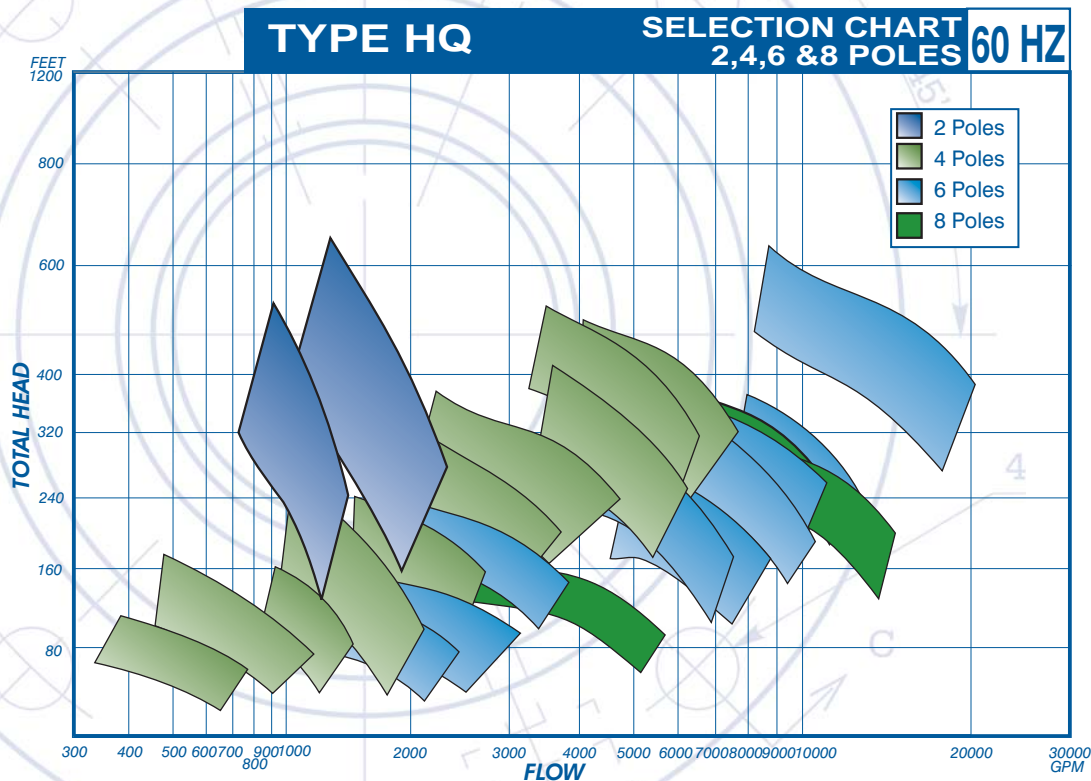
Qualified specialists in all departments ensure that the pumps and equipment from our facilities are able to operate under the most arduous conditions. Intensive research and development

ensures that the products of Ruhrpumpen are continuously improved to meet the latest technical requirements.

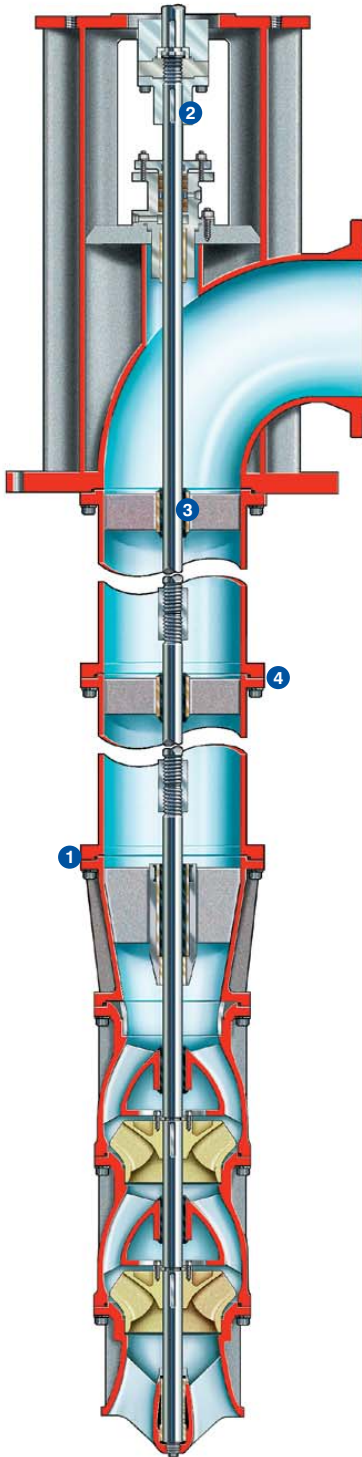
It is only possible to achieve these aims by means of highly sophisticated CNC controlled machines in our modern machine shop, supplemented by our test and development departments well as the latest industry standard inspection and control procedures.

All in our ISO 9001 certified facilities. The application of modern, reliable methods data processing and sophisticated software with high performance, state of the art IT offers our customers high reliability and speed in all working processes, from planning to production through to the providing of spare parts.

The instant availability of spare parts, together with first class service, ensures customer that they have selected the right partner.



Standard vertical circulator multistage pump



- 1 **No leaking.** “O” ring or gaskets throughout allow metal to metal rabbit fits between all components.
- 2 **Easier motor installation.** Vertical solid shaft or hollow shaft motor couplings can be supplied.
- 3 **Capacities to 25,000 GPM from stock components.** Many parts are stock to support the shortest possible delivery shedule.
- 4 **Less downtime.** Achieved through improved alignment and reduced shaft run-out using integrally fabricated spider construction.
- 5 **Assured Fabrication Quality.** All pumps fabricated by Ruhrpumpen use ASME Section IX welding procedures and qualified welders. Every weld is stamped.
- 6 **Stable operating characteristics.** Continually rising head capacity curve from run-out to shut-off; non-overloading horsepower curve from minimum flow to run-out.
- 7 **Reduced sump construction costs.** The combination of the excellent NPSH characteristics, minimum submergence requirements and Ruhrpumpen’s unique design reduces overall cost.
- 8 **Easier installation.** Due to size, all HQ columns are flanged for better handling. Through bolts are standard.

Circulator Design Features

- ✓ Pumps fabricated using ASME Section IX welding procedures and qualified welders with welds stamped for quality control.
- ✓ All metal-to-metal rabbit fits sealed with O-rings or gaskets.
- ✓ Continually rising head capacity curve from maximum flow to shut off.
- ✓ Non-overloading horsepower curve from best efficiency flow to maximum flow.
- ✓ Head room for motor removal minimized by use of vertical solid shaft coupling construction.
- ✓ Integrally fabricated bearing spider construction on 5-foot maximum spacing between bearings.

Broad Application Range

- ✓ Fresh water, sea water, waste water, and effluent applications.
- ✓ Hydrocarbons and chemicals.
- ✓ Cooling tower.
- ✓ Pipeline service
- ✓ General industrial service.

Performance Data

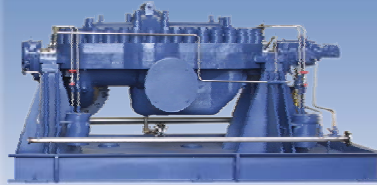
Capacities	25,000 gpm	5,675 m ³ /hr
Heads	575 feet	175 m
Pressure	250 psi	17 atm
Temperature	275 °F	135 °C
Horsepower	2,000 hp	2,000 hp

Other Ruhrpumpen Products

**API 610
Between Bearings
Radial Split Single Stage**



**API 610
Multistage**



**Axially
Split**



**Vertical
Turbine Pumps**



**Vertical
Circulating**



Ruhrpumpen, Inc.
4501 South 86th East Ave.
Tulsa, Oklahoma 74145 USA
Phone: 918-627-8400
Fax: 918-624-2471
e-mail info@ruhrpumpen.com

Ruhrpumpen GmbH
Stockumer Strasse 28 58453 Witten/Germany
P.O. Box 63 09 58432 Witten/Germany
Phone: (+49) 23 02/661-03
Fax: (+49) 23 02/661-3 03
e-mail: info@ruhrpumpen.de

Ruhrpumpen, S.A.
Níquel No. 9204 Ciudad Industrial Mitras,
García, N.L. México 66000
Phone: (+52)(81) 8158-5500
Fax: (+52)(81) 8158-5501
e-mail: wdm@corporacioneg.com

www.ruhrpumpen.com
e-mail: info@ruhrpumpen.com

A/August/02



Specialist for Pumping Technology

A
Corporación 
Company

For more information:

