



11212 A McCormick Road
Hunt Valley, MD 21031

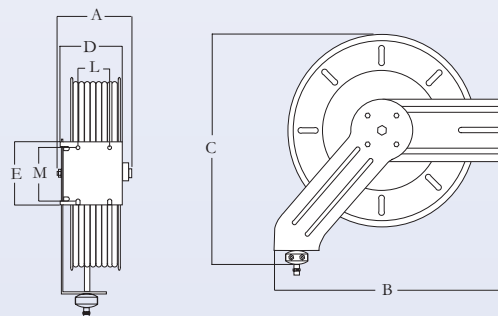
Data Sheet, TIM-3636-50 Hose Reel (Advantage Plus Series)

High Pressure (4,000 PSI), powder-coated, single-arm reel,
3/8" x 50' delivery hose

- **HOSE:**
 - Working pressure, 4,000 PSI maximum
- **SHIPPING:**
 - One box
 - *Weight:* 60 pounds
 - *Dimensions:* 22.5" x 21" x 9"
- **COMPATIBILITY:**
 - Grease
- **MAXIMUM MOUNTING HEIGHT:**
 - 14' above floor
- **MOUNTING BASE HOLE PATTERN:**
 - 3.5" x 7.5"
 - Four holes for 3/8", Grade 5 hardware
- **THREADS:**
 - *Swivel:* 3/8" NPT (F x F)
 - *Delivery Hose:* 3/8" NPT (M x M)
- **WARRANTY (*Defects in material and workmanship, non-wear parts*):**
 - Five years for hardware
 - One year for hose
- **ACCESSORIES:**
 - TIM-3600-50, Slide-in mounting bracket. Four holes for 3/8", Grade 5 hardware
 - TIM-3600-CAB Single Cabinet Enclosure, TIM-3600-PAN End-Panel Kit, TIM-4516-4NS Connecting Hose
 - TIM-4516-2N Connecting Hose, 3/8" x 3/8" NPT (M x M), 4000 PSI, 2' long
- **INSTALLATION RECOMMENDATIONS:**
 - Two parallel runs of, Kindorf Strut Channel affixed to steel roofing supports. Four each, 3/8", Grade 5 bolts, flat/lock washers and Kindorf Spring Nuts *per Kindorf pair*
 - Affix **TIM-3600-50** bracket(s) to Kindorf pair. Four each, 3/8", Grade 5 bolts, flat/lock washers and Kindorf Spring Nuts *per bracket*. One foot bracket spacing
 - Typical mounting bolt specifications: Grade 5, 3/8-16, 1-1/2" (length as required)
 - Keep reel and associated plumbing away from heat sources
 - Plumbing, 5/8" diameter, seamless steel tubing with steel tubing connectors
 - Three wraps Teflon tape followed by pipe dope



A	B	C	D	E	Mount L-M
8-7/16"	21-1/2"	20-5/8"	5-3/4"	9"	3-1/2" x 7-1/2"



14' maximum mounting height