

# PULSAFEEDER®

The Chem-Tech Series XP with peristaltic technology delivers worry-free dosing in a modern design. Each and every component of the Series XP is designed and manufactured for optimum reliability and durability for **REAL Performance**.

The electronic timing circuit in the adjustable 'A' Models provides **reliable** pump control, without relying on mechanical adjustment components that wear out over time.

The intuitive interface and controls provide **easy** operation and the peristaltic design is virtually maintenance-free.

Tailor-made for the water conditioning market, the Series XP offer **affordable** solutions in both initial cost and operation.

A rugged gear train and computer-aided peristaltic design ensure **long-lasting** performance.

## Features

- Fixed Models. Simple and straight forward fixed rate pumps for applications where economy and ease-of-use are required.
- Adjustable Models. Electronic timer module provides a 20:1 turndown control for enhanced flexibility.
- Pulse Input Models. Internal timer accepts pulses from a contacting head water meter. Adjustable to run the pumps from .1 to 1 sec., .2 to 10 sec., or from 1.0 to 60 sec. per pulse.
- Flow Switch Activated Models. Activated when flow rate through the included 3/4" NPT flow switch reaches 1 GPM and deactivated when flow rate is less than 1 GPM.
- Dry Contact Input Models. Activates pump upon closure of a dry contact switch, and deactivates when opened. Pump equipped with a 6' lead for connection to the customer supplied switch.
- Timer Models. 7 Day – 8 Event Electronic Timer.
- Duplex Head Models. Two pump heads to deliver twice the flow, or the rated flow of two different chemicals simultaneously.
- Tubing Materials. Standard Norprene tube material in Low Pressure ratings - extended tube life, High Pressure ratings - meet demanding system requirements. Fluran tubing - greater chemical resistance: contact Technical Service for compatibility.

## Controls



### Fixed Rate Model

- Simple and straight-forward fixed rate pumps.

### Adjustable Model

- 20:1 Turndown Control

### Three Input Models

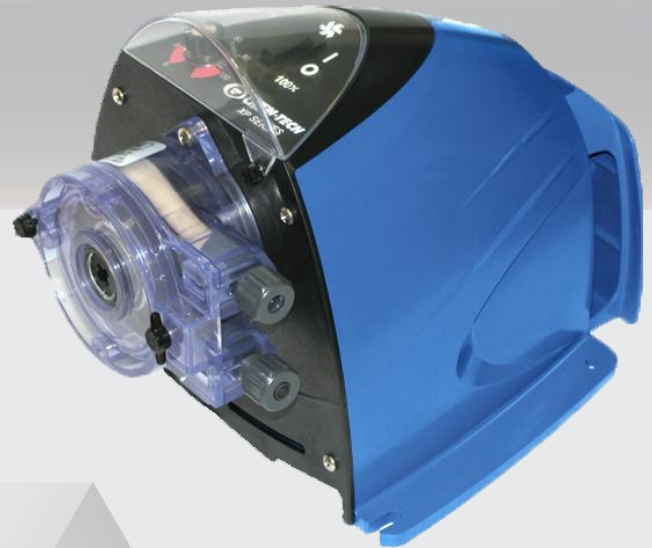
- Pulse Input
- Flow Switch Activated
- Dry Contact Input

### Timer Model

- 7 Day – 8 Event Electronic Timer

## Operating Benefits

- Reliable metering performance.
- Mixed fluid capable. Inherently degassing.
- Extended tube life.
- Rugged, sealed gear train.
- Easy tube change-out.
- Self priming.
- Chemical resistant materials.
- Simple installation.



## Aftermarket

- KOPkits
- Gauges
- Dampeners
- Pressure Relief Valves
- Tanks
- Pre-Engineered Systems
- Process Controllers (MicroVision)



Tested and Certified by WQA  
against NSF/ANSI 61-Section 8.  
and CSA B483.1



# CHEM-TECH Series XP Peristaltic Metering Pumps

## Specifications and Model Selection

MODELS:	Flow	Pressure Rating - PSI (Bar)				Tube Size	Speed (RPM)
		Single Head Options			Duplex		
		'H' Tube	'L' Tube	'F' Tube	'L' Tube		
XP004	4 GPD (0.6 LPH)	125 (8.6)	80 (5.5)	60 (4.1)	80 (5.5)	2	30
XP007	7 GPD (1.1 LPH)				50		
XP009	9 GPD (1.4 LPH)	110 (7.6)	70 (4.8)	50 (3.4)	70 (4.8)	3	30
XP015	15 GPD (2.4 LPH)				50		
XP014	14 GPD (2.3 LPH)	100 (5.9)	50 (3.4)	40 (2.8)	50 (3.4)	4	30
XP023	23 GPD (3.6 LPH)				50		
XP030	30 GPD (4.7 LPH)	80 (5.5)	40 (2.8)		40 (2.8)	6	30
XP050	50 GPD (7.9 LPH)				50		
XP048	48 GPD (7.5 LPH)		25 (1.7)		25 (1.7)	8	30
XP080	80 GPD (12.6 LPH)				50		

## Engineering Data

### Drive:

#### Fixed Rate

On. Off Only  
Duplex Head  
Dry Contact Input  
Flow Switch Activated  
7 Day-8Event Electronic Timer

#### Adjustable

20:1 Turndown  
Duplex Head  
Dry Contact Input  
Flow Switch Activated  
.1 to 1 Second Timer  
.2 to 10 Second Timer  
1 to 60 Second Timer

#### Pulse Input

### Tubing:

Norprene Low Pressure  
Norprene High Pressure  
Fluran

1/4" or 3/8" Tube Fittings  
1/4" or 3/8" Tube Fittings  
1/4" or 3/8" Tube Fittings (Does not include strainer & Injector accessories)

### Viscosity Max CPS:

300 CPS

### Enclosure:

NEMA 3R / IP31  
(In Horizontal Position)

### Power Input:

115 VAC/60 HZ, 1/6 HP  
230 VAC/50/60 HZ  
230 VAC/60 HZ

### Temperature Limitations:

104°F / 40°C max.

### Shipping Weight:

8 lbs. / 3.63kg.

## Integrated Tank Systems



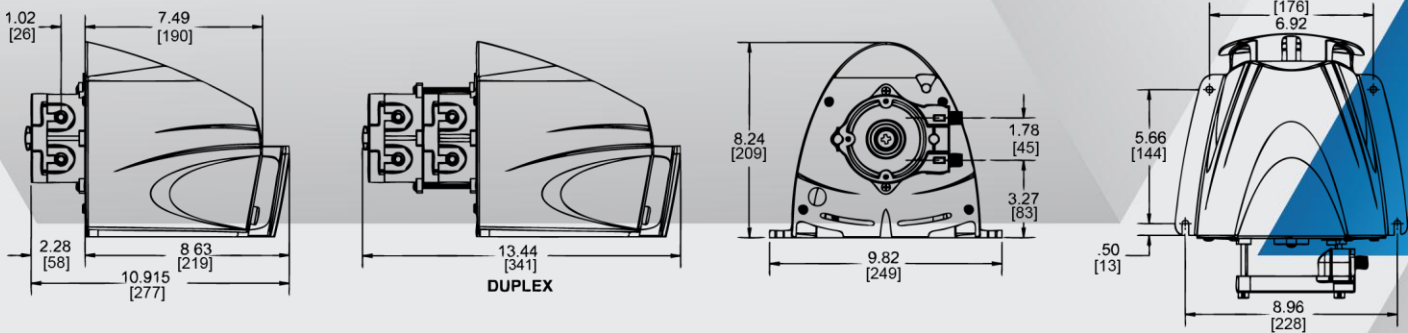
### Integrated Tank Systems

Pulsafeeder's ITS System is a completely integrated tank system constructed of high density UV resistant polyethylene (PE) with a 15 gallon capacity. This tank system is translucent with 5 gallon increments and the tank's low level indicator allows visual monitoring of chemicals without opening the tank. The tight fitting child proof lid keeps the chemical free of contaminants and protects the surrounding area from chemical fumes.

The ITS System also allows for easy access to the liquid end and control panel of the mounted pump.

A system consists of a chemical tank with lid and bulkhead fittings, a liquid level indicator float assembly and feeder mounting hardware.

## Dimensions All dimensions expressed as inches (mm)



27101 Airport Road  
Punta Gorda, FL 33982  
Phone: ++1(941) 575-3800  
Fax: ++1(941) 575-4085

www.pulsatron.com



An ISO 9001 Certified Company

CT1009 B15

