

12 Volt DC Aluminum Submersible Pump

- **Aluminum Construction with Cast Aluminum Impeller**
- **1/3 HP, 12 Volt DC 30 Amp Motor**
- **1-1/2" NPT Discharge**
- **Buna-N Mechanical Seal with Carbon and Ceramic Faces**
- **Operates Approximately 60 Minutes on Fully Charged 55 Amp-Hour Battery**
- **Built-In Carry Handle**
- **Steel Strainer Built into Pump**
- **Overload Protection**
- **On/Off Switch**
- **Maximum Flow 43 GPM**

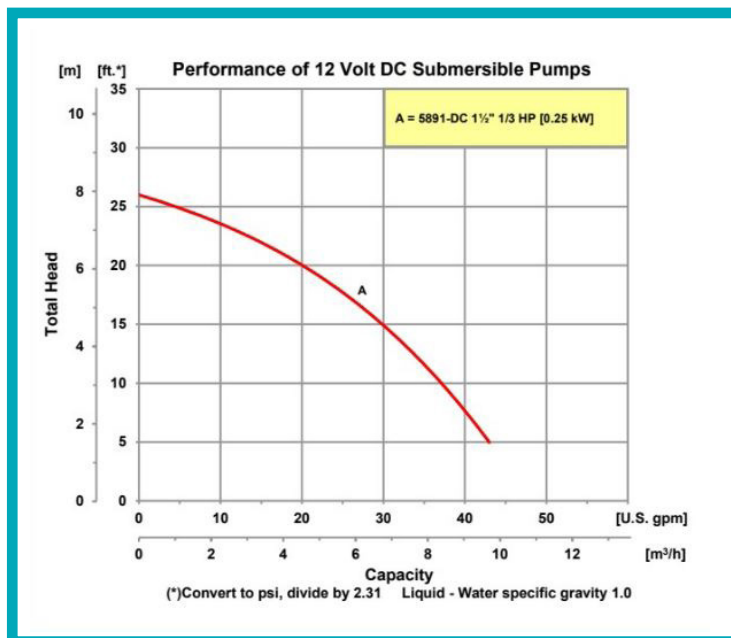


Model 5891-DC

5890-90



The AMT Submersible 12 Volt DC pump is designed for use in dewatering applications where limited or no electricity is present and for emergency back-up during power failure. The light weight pump is constructed of aluminum body with cast aluminum impeller. Unit comes assembled with 30 foot power cord, which has battery clips for easy attachment to 12 volt battery. Pumps are designed to handle liquids with solid content or dissolved solids and debris.



400 Spring Street • Royersford, PA 19468 USA

www.amtpump.com • 888-amt-pump (268-7867)

For use with nonflammable liquids compatible with pump component materials. Viton® is registered trademarks of E. I. DuPont.

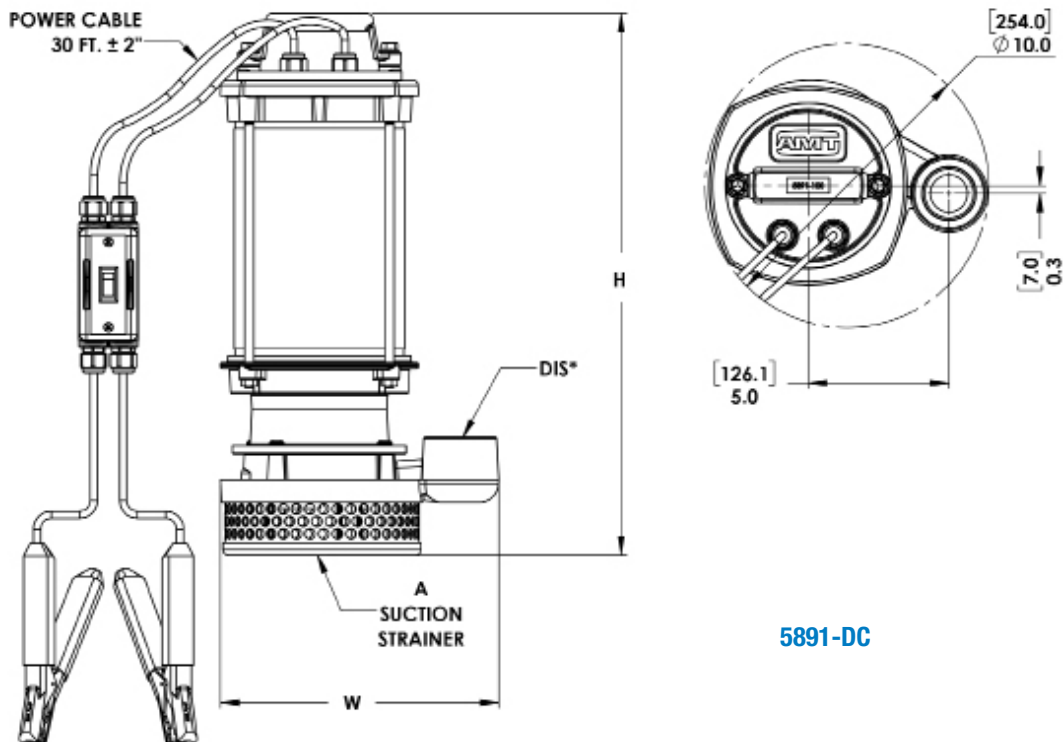
Pump Dimensional & Specification Data

Model	Description/Type of Pump	HP	Voltage @ 60 Hz	Full Load Amps	DIS*	Seal Type & Elastomers	Motor Enclosure	A Suction Strainer	H	W	Ship Wt. (Lbs.)
5891-DC	Electric Submersible Pump	1/3	12V DC	26	1½	Buna Carbon Ceramic	Aluminum	0.38/[0.9] Dia. Holes Located on 0.5/[1.2] Staggered Center	19.1 [48.5]	9.8 [22.3]	40
5890-90	Optional Carrying Case										14

(*) Standard NPT (Female) pipe thread.

NOTE: Dimensions are in inches (centimeters) and have a tolerance of $\pm 1/4$ ".

NOTE: Electric supply for ALL motors must be within $\pm 10\%$ of nameplate voltage rating (e.g. 230V $\pm 10\%$ =207 to 253).



5891-DC

Standard Features

- Aluminum Construction with Cast Iron Impeller
- 1/3 HP, 12 Volt DC 30 Amp Motor
- 30 Ft. Insulated (PVC) Conductor Cable with Battery Clips
- Built-in Carry Handle
- On/Off Switch
- Maximum Temperature 104° F
- 1-1/2" NPT (Female) Discharge
- Steel Strainer Built into Pump
- Buna-N Mechanical Seal with Carbon and Ceramic Faces
- Overload Protected
- Stock Availability on this Model
- QSP – Quick Ship Pump