

CALL TOLL FREE 877-742-2878 FOR SALES AND SUPPORT.

[Click Here to Return to BurtProcess.com](http://BurtProcess.com)



"A Trusted Partner in Pump Solutions"



**SCP/SFP** SELF PRIMING PUMPS

# CONTENT

|                                                                       |              |
|-----------------------------------------------------------------------|--------------|
| <b>1. INTRODUCTION OF PUMP</b>                                        | <b>01-02</b> |
| <b>2. SCP 150/SFP 150 - 1.5" X 1.5" SELF PRIMING CENTRIFUGAL PUMP</b> | <b>03-04</b> |
| DIMENSIONAL DRAWINGS                                                  | 03           |
| PERFORMANCE CURVES                                                    | 04           |
| <b>3. SCP 200/SFP 200 - 2" X 2" SELF PRIMING CENTRIFUGAL PUMP</b>     | <b>05-07</b> |
| DIMENSIONAL DRAWINGS OF SCP 200                                       | 05           |
| DIMENSIONAL DRAWINGS OF SFP 200                                       | 06           |
| PERFORMANCE CURVES                                                    | 07           |
| <b>4. SCP 200/SFP 200 - 2" X 2" SELF PRIMING CENTRIFUGAL PUMP</b>     | <b>08-10</b> |
| DIMENSIONAL DRAWINGS OF SCP 300                                       | 08           |
| DIMENSIONAL DRAWINGS OF SFP 300                                       | 09           |
| PERFORMANCE CURVES                                                    | 10           |
| <b>5. EXPLODED VIEW</b>                                               | <b>11-12</b> |
| ROTECH SCP PUMP                                                       | 11           |
| ROTECH SFP PUMP                                                       | 12           |

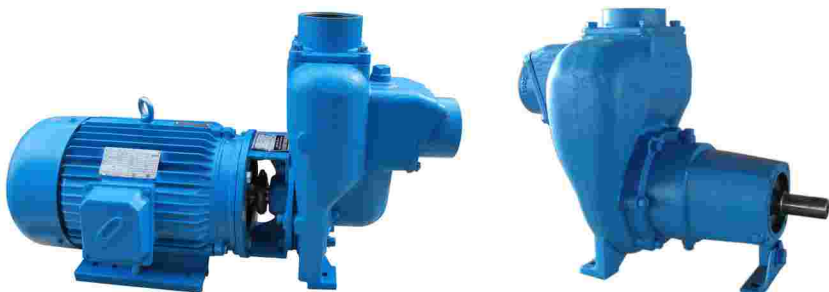
# INTRODUCTION OF PUMP

Rotech SCP series Pumps close coupled self-priming centrifugal pumps can be mounted with NEMA C face electric motor frames (56TC, 143TC, 145TC etc.) , IEC electric motors and Hydraulic Motors while Rotech RFP series Pumps are self-priming centrifugal frame mounted or Base mounted Pumps directly couple with coupling or V belt pulley drive with motor or engine.

SCP /SFP series are capable to lift liquid up to 25 ft from the liquid level below ground. However, for the best performance of pump , the pump should be installed less than 15 above the liquid level. The flapervelave will maintain a full column liquid in suction pipe line.

Standard features include stainless steel drive sleeve, stainless steel fasteners, renewable wear plate, and a semi-open dynamically balanced impeller. Option Include double grease-lubricated seals, stainless steel impeller and seals for all types of abrasive and / or corrosive services.

The ROTECH series of pumps are commonly used in water, waste water, Industrial, transfer pump application , wash down, OEM, Agricultural, Fertilizer and Pesticide Pumps, Applicators & Sprayers, , Bulk Transfer Pumps and much more.



## SPECIFICATIONS:

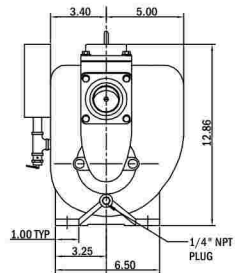
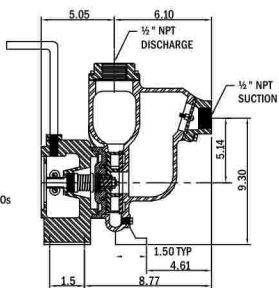
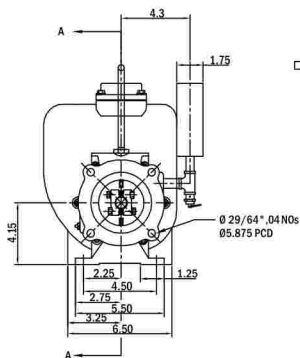
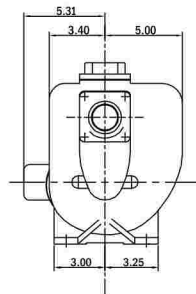
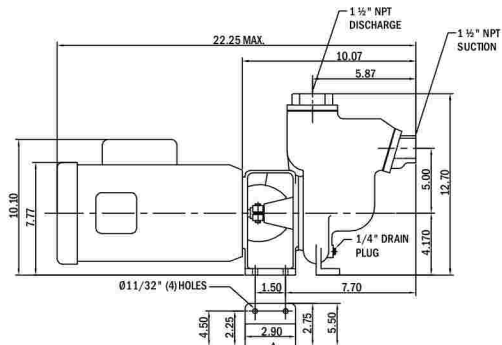
| MODEL                     | SCP150/SFP 150                                                                                                                              | SCP200/SFP 200                                                                                                                              | SCP300/SFP 300                                                                                                                           |
|---------------------------|---------------------------------------------------------------------------------------------------------------------------------------------|---------------------------------------------------------------------------------------------------------------------------------------------|------------------------------------------------------------------------------------------------------------------------------------------|
| Suction and Discharge     | 1-1/2" x 1-1/2" NPT                                                                                                                         | 2" x 2" NPT                                                                                                                                 | 3" x 3" NPT                                                                                                                              |
| Materials of Construction | Cast Iron<br>Bronze<br>Aluminum<br>Stainless Steel                                                                                          | Cast Iron<br>Bronze<br>Aluminum<br>Stainless Steel                                                                                          | Cast Iron<br>Bronze<br>Aluminum<br>Stainless Steel                                                                                       |
| Flow                      | Up to 145 GPM                                                                                                                               | Up to 150 GPM                                                                                                                               | Up to 320 GPM                                                                                                                            |
| Head Feet (TDH)           | Up to 100'                                                                                                                                  | Up to 100'                                                                                                                                  | Up to 145'                                                                                                                               |
| Impeller                  | 5.0" max diameter, semi-open                                                                                                                | 5.0" max diameter, semi open                                                                                                                | 6.0" max diameter, semi-open                                                                                                             |
| Max Solid Size            | 1/2"                                                                                                                                        | 1/2"                                                                                                                                        | 0.6"                                                                                                                                     |
| Motor                     | Up to 3 HP                                                                                                                                  | Up to 3 HP                                                                                                                                  | Up to 7.5 HP                                                                                                                             |
| Drive Options             | Close Coupled 145TC<br>Close Coupled 56C<br>Engine Mount 5.5 HP<br><br>Engine Mount 6.5 HP<br>Pedestal<br>Standard Carbon / Ceramic / Viton | Close Coupled 145TC<br>Close Coupled 56C<br>Engine Mount 5.5 HP<br><br>Engine Mount 6.5 HP<br>Pedestal<br>Standard Carbon / Ceramic / Viton | Close Coupled 184TC<br>Close Coupled 215C<br>Engine Mount 5.5 HP, 6.5 HP, 11 HP & 13 HP<br>Pedestal<br>Standard Carbon / Ceramic / Viton |
| Seal                      | Special Seal material combinations available (consult factory)                                                                              | Special Seal material combinations available (consult factory)                                                                              | Special Seal material combinations available (consult factory)                                                                           |

|                         | SCP/SFP 150                                                                                                                                                     | SCP/SFP 200                                                                                                                                                     | SCP/SFP 300                                                                                                                                     |
|-------------------------|-----------------------------------------------------------------------------------------------------------------------------------------------------------------|-----------------------------------------------------------------------------------------------------------------------------------------------------------------|-------------------------------------------------------------------------------------------------------------------------------------------------|
| <b>APPLICATION</b>      | Water and Water Waste<br>Industrial<br>OEM<br>Industrial Transfer                                                                                               | Water and Water Waste<br>Industrial<br>OEM<br>Industrial Transfer                                                                                               | Water and Water Waste<br>Industrial<br>OEM<br>Industrial Transfer                                                                               |
| <b>SPECIAL FEATURES</b> | Stainless Renewable Wear Plate<br>Stainless Steel Drive Sleeve<br>Stainless Steel Fasteners<br>Up to 25' suction lift<br>Various Drive Options                  | Stainless Renewable Wear Plate<br>Stainless Steel Drive Sleeve<br>Stainless Steel Fasteners<br>Up to 25' suction lift<br>Various Drive Options                  | Stainless Renewable Wear Plate<br>Stainless Steel Drive Sleeve<br>Stainless Steel Fasteners<br>Up to 25' suction lift<br>Various Drive Options  |
| <b>OPTIONS</b>          | Various drive options available in various MOC<br>Base Plate Option<br>Hydraulic Motor available<br>Stainless Steel Impeller, Bronze, Duplex<br>Stainless Steel | Various drive options available in various MOC<br>Base Plate Option<br>Hydraulic Motor available<br>Stainless Steel Impeller, Bronze, Duplex<br>Stainless Steel | 5 Blade Impeller available for higher flows<br>Base Plate Option<br>Double Seal available for dry run applications<br>Hydraulic Motor available |

# SCP 150/SFP 150

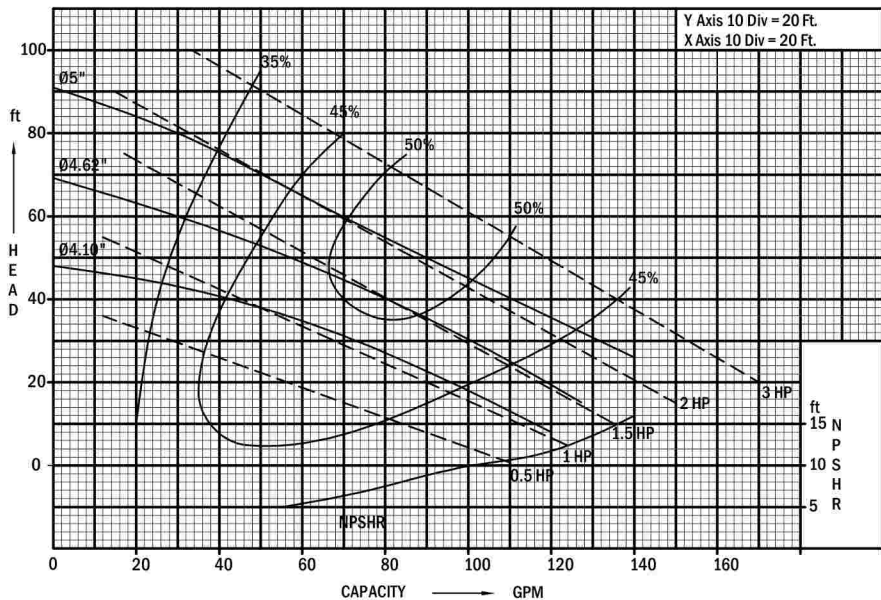
1.5" x 1.5" Self Priming Centrifugal Pump

## DIMENSIONAL DRAWINGS



# PERFORMANCE CURVES

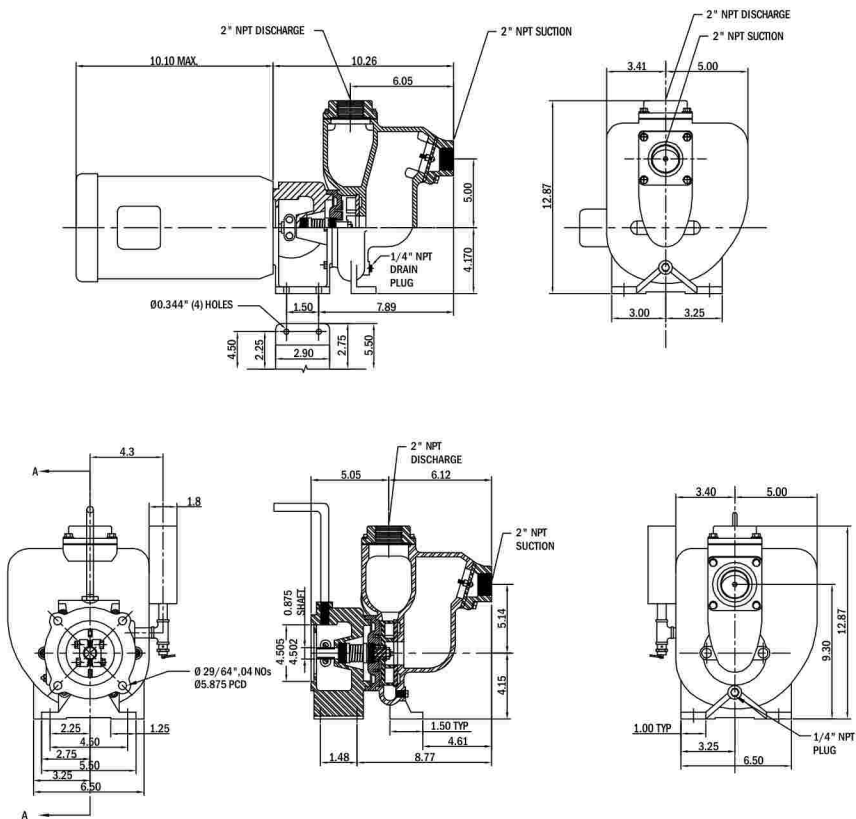
MODEL - SCP, Size - 1.5" x 1.5", RPM - 3450



# SCP 200

2" x 2" Self Priming Centrifugal Pump

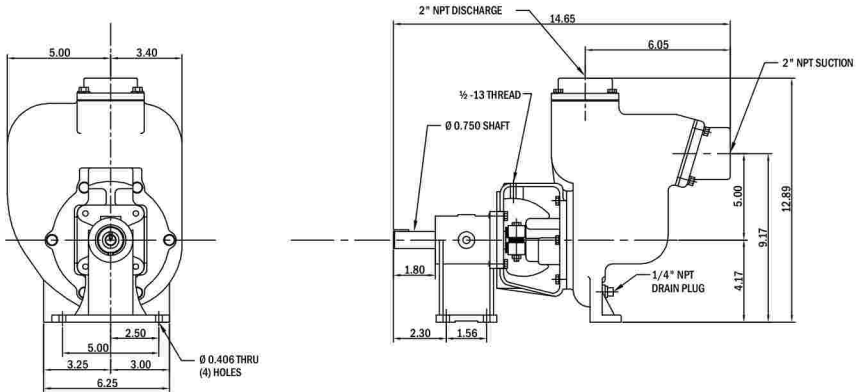
## DIMENSIONAL DRAWINGS



# SFP 200

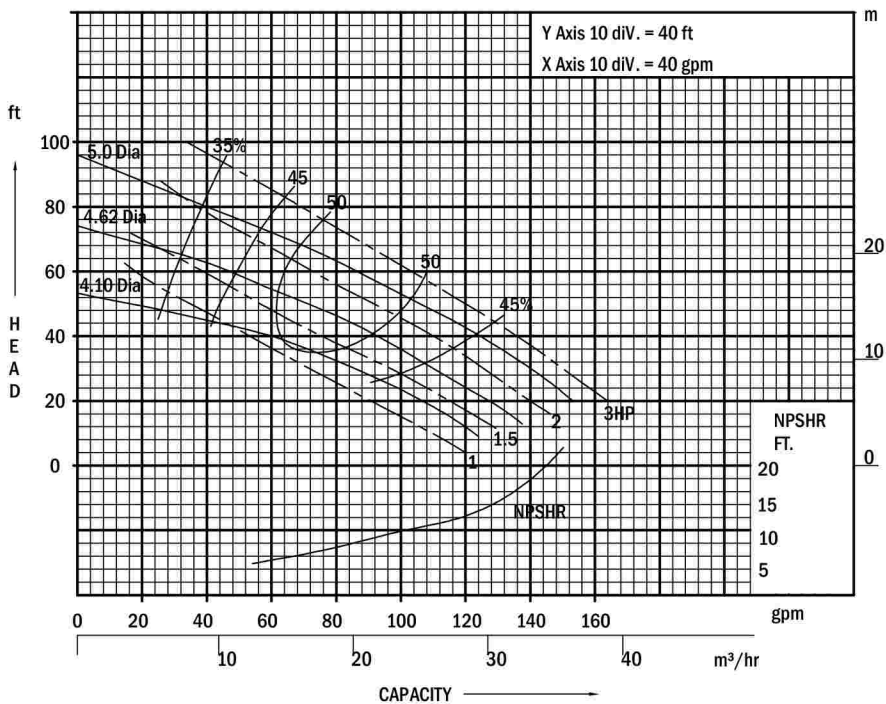
2" x 2" Self Priming Centrifugal Pump

## DIMENSIONAL DRAWINGS



# PERFORMANCE CURVES

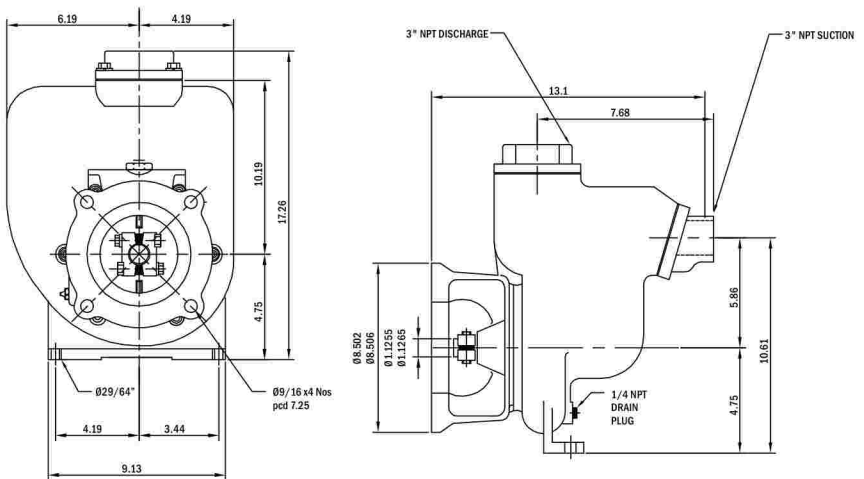
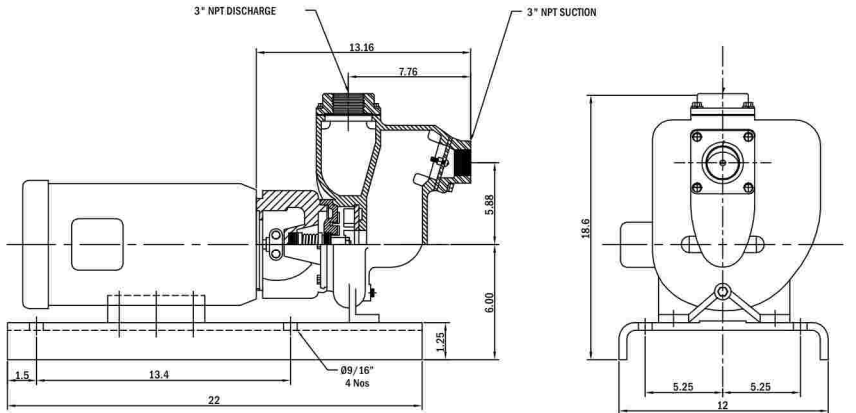
MODEL - SCP, Size - 2" x 2", RPM - 3450



# SCP 300

3" x 3" Self Priming Centrifugal Pump

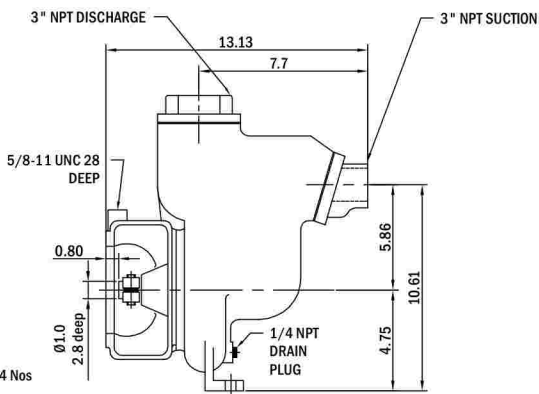
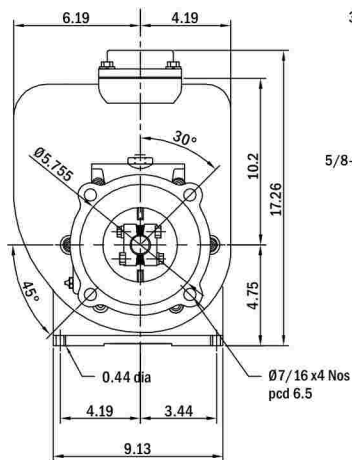
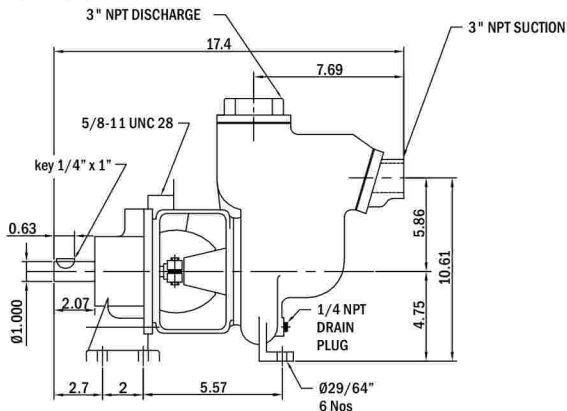
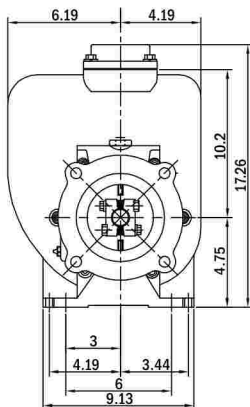
## DIMENSIONAL DRAWINGS



# SFP 300

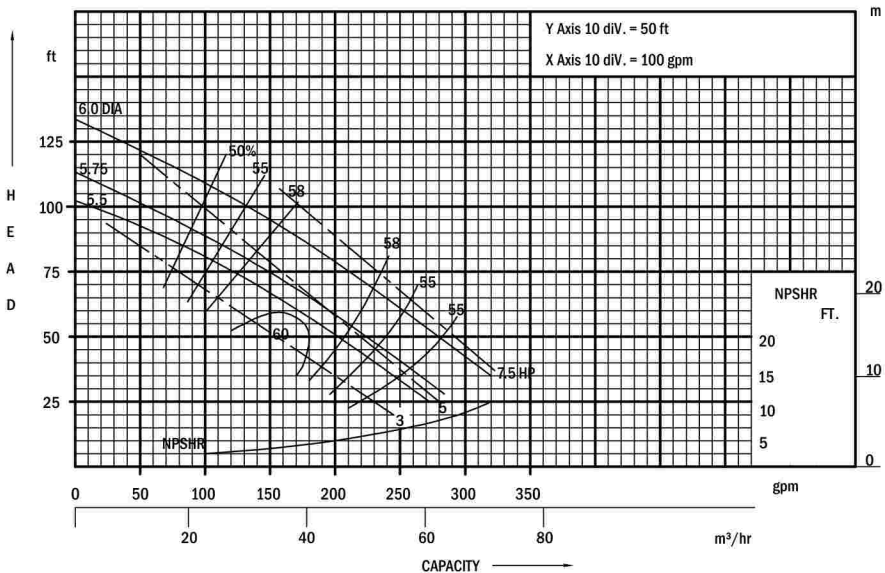
3" x 3" Self Priming Centrifugal Pump

## DIMENSIONAL DRAWINGS

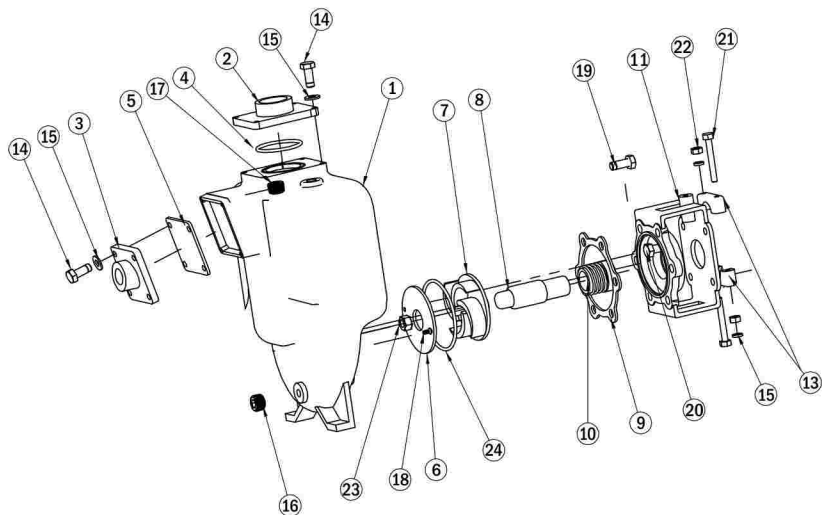


# PERFORMANCE CURVES

MODEL - SCP, Size - 3" x 3", RPM - 3450



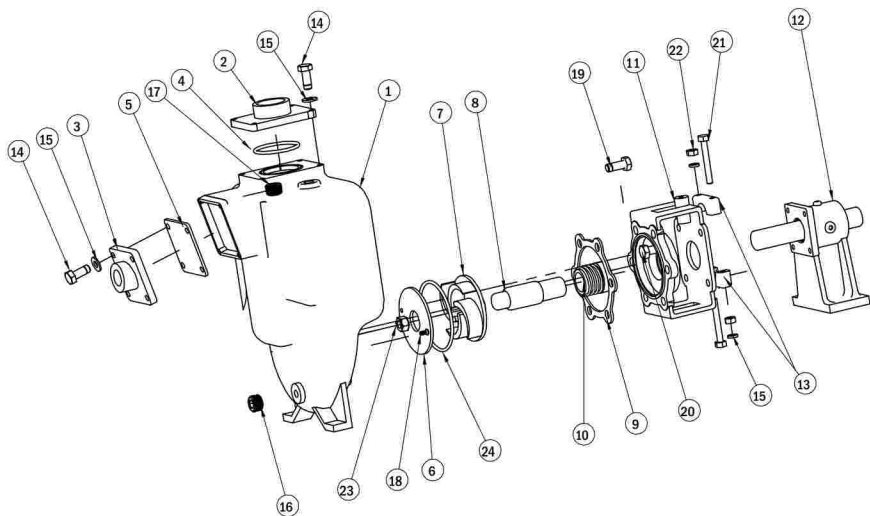
# EXPLODED VIEW - SCP PUMP



| ITEM NO. | DESCRIPTION      | QTY |
|----------|------------------|-----|
| 1        | CASING           | 1   |
| 2        | DISCHARGE FLANGE | 1   |
| 3        | SUCTION FLANGE   | 1   |
| 4        | O-RING VITON     | 1   |
| 5        | FLAPPER ASSY.    | 1   |
| 6        | WEAR PLATE       | 1   |
| 7        | IMPELLER         | 1   |
| 8        | SLEEVE           | 1   |
| 9        | GASKET           | 1   |
| 10       | SEAL ASSY.       | 1   |
| 11       | ADAPTOR          | 1   |
| 12       | NOT APPLICABLE   | -   |

| ITEM NO. | DESCRIPTION                    | QTY |
|----------|--------------------------------|-----|
| 13       | CLAMP                          | 2   |
| 14       | CAP SCREW - 5/16" - 18 x 7/8"  | 8   |
| 15       | LOCKWASHER 5/16                | 14  |
| 16       | PIPE PLUG                      | 1   |
| 17       | FILL PLUG                      | 1   |
| 18       | FLAT HEAD SCREW                | 2   |
| 19       | CAPSCREW - 5/16" - 18 x 3/4"   | 6   |
| 20       | CAPSCREW - 5/16" - 24 x 0.88   | 4   |
| 21       | CAPSCREW - 5/16" - 18 x 1 3/4" | 2   |
| 22       | HEX NUT - 5/16" - 18 x 1 3/4"  | 2   |
| 23       | JAM NUT                        | 1   |
| 24       | O-RING VITON                   | 1   |

# EXPLODED VIEW - SFP PUMP



| ITEM NO. | DESCRIPTION      | QTY |
|----------|------------------|-----|
| 1        | CASING           | 1   |
| 2        | DISCHARGE FLANGE | 1   |
| 3        | SUCTION FLANGE   | 1   |
| 4        | O-RING VITON     | 1   |
| 5        | FLAPPER ASSY.    | 1   |
| 6        | WEAR PLATE       | 1   |
| 7        | IMPELLER         | 1   |
| 8        | SLEEVE           | 1   |
| 9        | GASKET           | 1   |
| 10       | SEAL ASSY.       | 1   |
| 11       | ADAPTOR          | 1   |
| 12       | PEDESTAL ASSY.   | 1   |

| ITEM NO. | DESCRIPTION                    | QTY |
|----------|--------------------------------|-----|
| 13       | CLAMP                          | 2   |
| 14       | CAP SCREW - 5/16" - 18 x 7/8"  | 8   |
| 15       | LOCKWASHER 5/16                | 14  |
| 16       | PIPE PLUG                      | 1   |
| 17       | FILL PLUG                      | 1   |
| 18       | FLAT HEAD SCREW                | 2   |
| 19       | CAPSCREW - 5/16" - 18 x 3/4"   | 6   |
| 20       | CAPSCREW - 5/16" - 24 x 0.88   | 4   |
| 21       | CAPSCREW - 5/16" - 18 x 1 3/4" | 2   |
| 22       | HEX NUT - 5/16" - 18 x 1 3/4"  | 2   |
| 23       | JAM NUT                        | 1   |
| 24       | O-RING VITON                   | 1   |



"A Trusted Partner in Pump Solutions"

1320 Britannia Road East, Mississauga, Ontario, Canada. L4W 1C8  
Phone: (905) 461-9617 | Fax: (905) 461-9618 | Toll Free: 1-866-217-PUMP (7867)  
Email: [sales@rotechpumps.com](mailto:sales@rotechpumps.com) | [www.rotechpumps.com](http://www.rotechpumps.com)