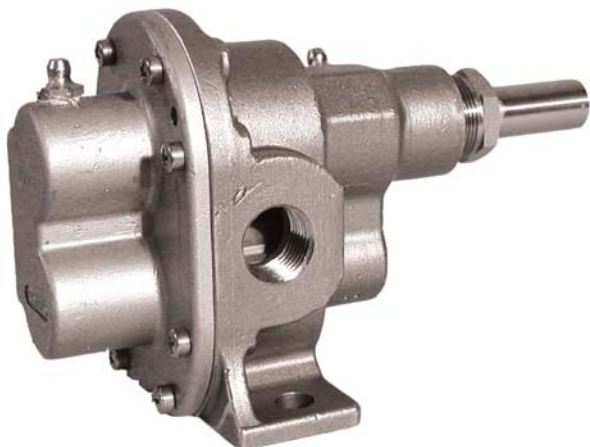


PEDESTAL ROTARY GEAR PUMPS

MODEL S4000L - 1/2" NPT PORTS



FEATURES

- Rugged Investment Cast Stainless Steel Housing
- Drop-in replacement for N4000L
- Fully "Biofood" grade
- Tailored to serve Maple Syrup Filter Press applications.
- Graphitized Silicon Carbide Sleeve Bearings
- Hardened Stainless Steel Shafts
- Stainless Steel Gears
- Viton Cover O-ring
- Lubrication Fittings
- Synthetic braided compression packing with teflon dispersion

GENERAL DESCRIPTION

Pumps are the Stainless Steel version of the Industry-Proven Bronze Pedestal Gear Pump N4000L specified by many leading maple syrup filter press equipment manufacturers. Handles abrasive sugar sand and filter aide. These versatile pumps can be operated in either rotating direction and can be installed in any plane. All materials of construction are suitable for food service use. Flush new Factory Supplied pumps thoroughly before use.

LIQUIDS AND TEMPERATURE

Tailored to handle typical processing conditions including raw sap to 220F up to 80 psi as well as 140F hot water flushing. Regreasing is recommended to prevent sap build-up between shaft and bearing surfaces.

RELIEF

These pumps are positive displacement devices capable of generating high line pressure. Discharge lines should be fitted with properly sized line pressure relief valves to protect both the pump and the system. The relief outlet should be piped back to the suction vessel.

SUCTION LIFT

Close tolerances and positive displacement action make the rotary gear pump capable of lifting fluid on the suction side as high as 20 feet. Though gears pumps are self priming, a foot valve is recommended. If possible, wet the gears with liquid to be pumped for the first dry start. Liquid retained in the system and gear chambers serves to "wet" the pump on subsequent starts.

CAPACITY - WATER 70° F

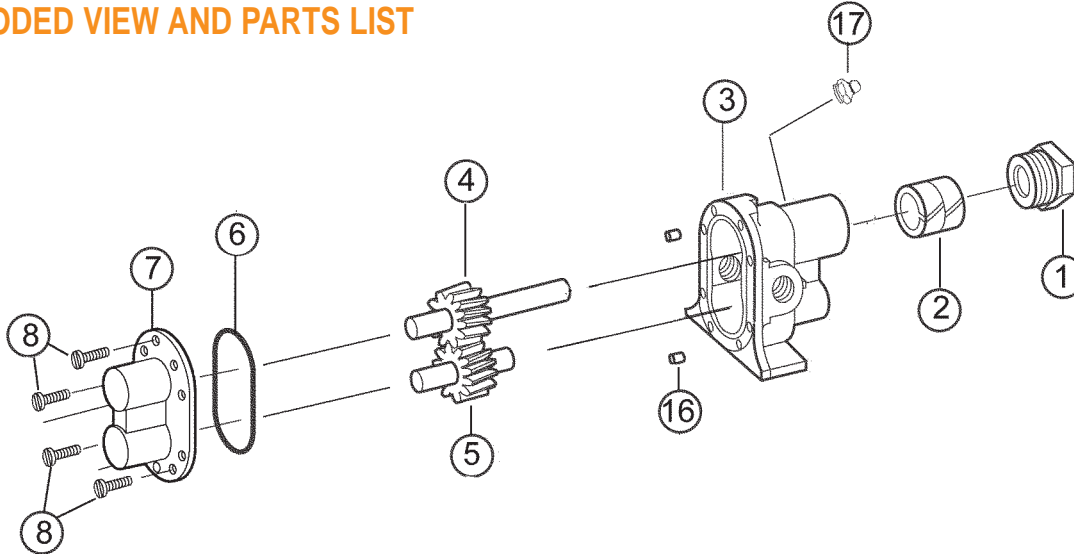
R.P.M.	FT.HD.	P.S.I.							
		0	46	92	138	184	231	290	346
400	GPM	2.30	2.00	1.75	1.55	1.30	1.10	0.85	0.65
	HP	0.10	0.15	0.20	0.25	0.32	0.40	0.53	0.70
	MOTOR	1/6	1/6	1/4	1/4	1/3	1/2	1/2	3/4
600	GPM	3.45	3.20	2.95	2.75	2.50	2.30	2.07	2.17
	HP	0.15	0.20	0.25	0.35	0.40	0.60	0.75	0.94
	MOTOR	1/4	1/4	1/4	1/3	1/2	1/3	3/4	1
800	GPM	4.65	4.18	4.10	3.90	3.70	3.50	3.25	3.05
	HP	0.20	0.22	0.29	0.45	0.64	0.86	1.20	1.60
	MOTOR	1/4	1/4	1/3	1/2	3/4	1	1 1/2	2
1000	GPM	5.86	5.65	5.40	5.18	4.95	4.76	4.50	4.30
	HP	0.22	0.25	0.30	0.45	0.65	0.75	1.20	1.50
	MOTOR	1/4	1/4	1/3	1/2	3/4	3/4	1 1/2	1 1/2
1200	GPM	7.10	6.85	6.60	6.35	6.12	5.90	5.68	5.45
	HP	0.25	0.30	0.40	0.60	0.75	0.97	1.30	1.70
	MOTOR	1/4	1/3	1/2	3/4	3/4	1	1 1/2	2
1600	GPM	9.70	9.45	9.20	8.95	8.72	8.50	8.30	8.10
	HP	0.30	0.39	0.60	0.80	1.05	1.30	1.64	2.05
	MOTOR	1/3	1/2	3/4	1	1	1 1/2	2	2
1725	GPM	10.56	10.33	10.10	9.85	9.63	9.42	9.20	9.00
	HP	0.50	0.75	0.90	1.20	1.50	1.75	2.00	2.32
	MOTOR	1/2	3/4	1	1 1/2	1 1/2	2	2	3

H.P. = Actual Horsepower Motor = Convenient Fractional Size
G.P.M. = Gallons per Minute P.S.I. = Lbs. Per Square Inch Pressure
R.P.M. = Revolutions per Min. Ft. Hd. = Equiv. Press. in Ft of Water

*For pressures over 100 psi, the above selections are suitable for pumping fluids with lubricity (e.g. oils, polymers). Service life will decrease for fluids without lubricity (e.g. water, solvents).

PEDESTAL ROTARY GEAR PUMPS

EXPLODED VIEW AND PARTS LIST



	1	2*	3	4*	5*	6*	7	8	16	17	Repair Kit *
	Packnut	Packing	Body Assy	Drive Gear Assy	Idle Gear Assy	Oring	Cover Assy	Screw	Dowel Pin	Grease Fitting	
	1 Req'd	2 Req'd	2 Req'd	1 Req'd	1 Req'd	1 Req'd	1 Req'd	8 Req'd	2 Req'd	2 Req'd	
S4000L	1762-01	5479	9319SD1N-1-S	33199-1	33198-1	9797-041	9322SN5N-1-S	5385	8885	5390-01	12317

* Repair kit includes these items

DIMENSIONS

