

CALL TOLL FREE 877-742-2878 FOR SALES AND SUPPORT.

[Click Here to Return to BurtProcess.com](http://www.burtprocess.com)



Quality | Commitment | Adaptability

High on Pump
Efficiency
Great on
Reliability



RoChem CC (ISO 2858/5199)

Closed Impeller Chemical Process Close Coupled Pump

www.rotechpumps.com

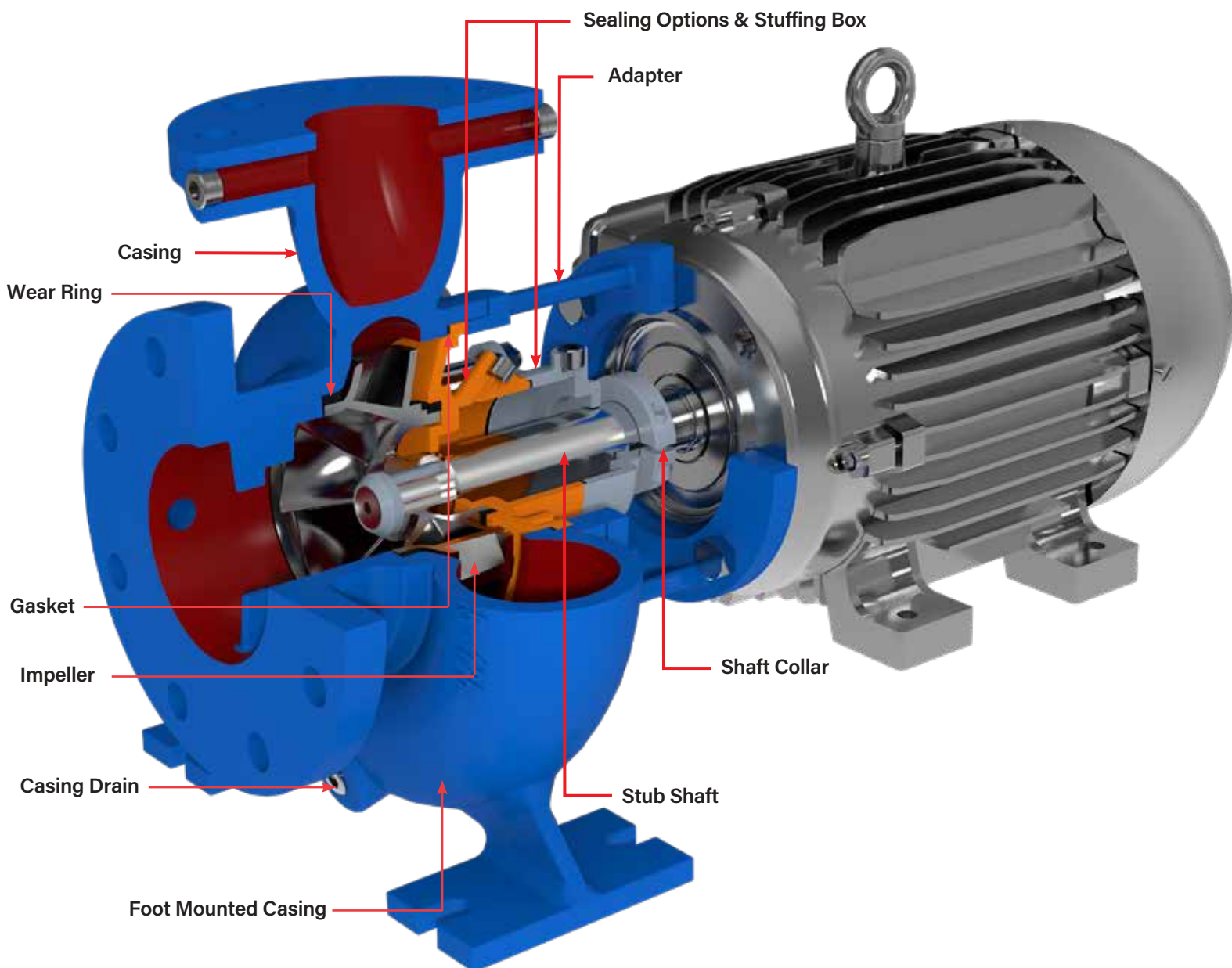
PUMP DESIGN FEATURES

Material Options

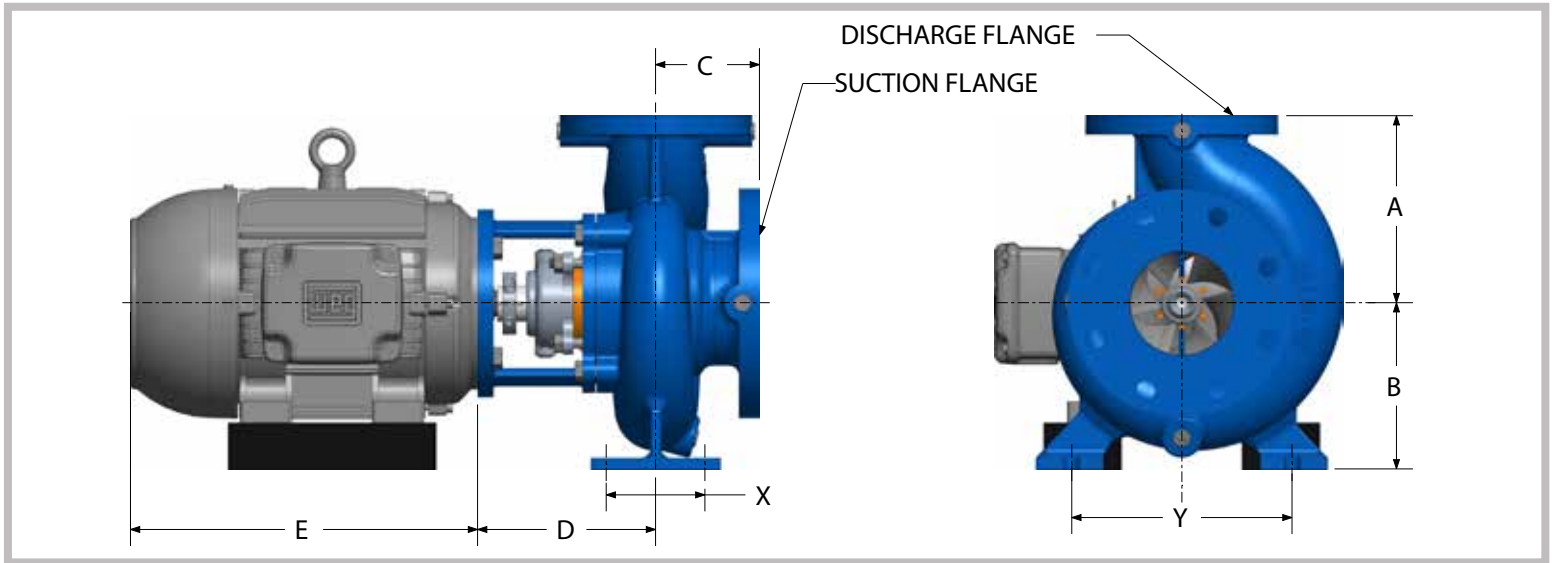
[Cast Iron, Ductile Iron, Carbon steel, CF8M, CD4MCuN, Alloy 20, Hastelloy B & C, Nickel and other exotic materials]

Performance Features

- Economical Close- Coupled design
- Closed couple with standard NEMA/IEC electric motors.
- Economical design which avoids usage of Power Frame, Coupling & Coupling Guard
- Occupies less space as compared to frame mounted.
- Back pull-out Design
- Stub shaft design as well as Sleeve Design
- Interchangeability of parts with Rotech Rochem pump Series.



DIMENSIONAL DATA



PUMP DIMENSIONS							NEMA MOTOR FRAME SIZES					
Pump Size	Group	A	B	C	X	Y	143 -184		213-256		284-326	
							D	E	D	E	D	E
1x1.5-6	G1	6.50	5.00	3.00	2.75	7.45	7.00	14.00	-	-	-	-
1x1.5-8	G1	7.00	6.00	3.00	2.75	7.45	7.00	14.00	7.00	22.25	-	-
1.25x2-5	G1	5.50	4.50	3.00	2.75	5.50	7.00	14.00	7.00	22.25	-	-
1.25x2-6	G1	6.50	5.00	3.00	2.75	7.45	7.00	14.00	7.00	22.25	-	-
1.25x2-8	G1	7.00	6.00	3.00	2.75	7.45	7.00	14.00	7.00	22.25	-	-
1.5x2.5-5	G1	5.50	4.50	3.00	2.75	6.50	7.00	14.00	7.00	22.25	-	-
1.5x2.5-6	G1	6.50	5.00	3.00	2.75	7.45	7.00	14.00	7.00	22.25	-	-
1.5x2.5-8	G1	7.00	6.00	4.00	2.75	8.00	7.00	14.00	7.00	22.25	7.00	27.50
2x3(2.5)*-5	G1	6.50	5.00	4.00	2.75	7.45	7.00	14.00	7.00	22.25	-	-
2x3(2.5)*-6	G1	7.00	6.00	4.00	2.75	8.00	7.00	14.00	7.00	22.25	7.00	27.50
2x3(2.5)*-8	G1	8.00	6.00	4.00	2.75	8.00	7.00	14.00	7.00	22.25	7.00	27.50
2.5x4(3)*-5	G1	7.00	6.00	4.00	3.75	8.00	7.00	14.00	7.00	22.25	7.00	27.50
1.25x2-10	G2	8.85	7.00	4.00	3.75	9.85	7.00	23.00	7.00	23.00	-	-
1.5x2.5-10	G2	8.85	7.00	4.00	3.75	9.85	7.00	23.00	7.00	23.00	-	-
1.5x2.5-12	G2	9.85	7.85	5.00	3.75	11.00	7.00	21.00	7.00	21.00	-	-
2x3(2.5)*-10	G2	8.85	7.00	5.00	3.75	9.85	7.00	21.00	7.00	21.00	-	-
2x3(2.5)*-12	G2	11.00	8.85	5.00	3.75	11.00	-	-	7.00	24.00	7.00	27.00
2.5x4(3)*-6	G2	8.00	6.00	4.00	3.75	8.00	7.00	23.00	7.00	23.00	-	-
2.5x4(3)*-8	G2	8.85	7.00	4.00	3.75	9.85	7.00	23.00	7.00	23.00	-	-
2.5x4(3)*-10	G2	9.85	7.85	5.00	4.70	11.00	7.00	23.00	7.00	23.00	-	-
3x5(4)*-6	G2	8.85	7.00	5.00	3.75	9.85	7.00	23.00	7.00	23.00	-	-
3x5(4)*-8	G2	9.85	7.00	5.00	3.75	11.00	7.00	23.00	7.00	23.00	-	-
3x5(4)*-10	G2	11.00	8.85	5.00	4.70	12.50	-	-	7.00	27.00	7.00	27.00
4x5-6	G2	11.00	7.85	5.00	4.70	12.50	-	-	7.00	23.00	-	-
4x5-8	G2	11.00	7.85	5.00	4.70	12.50	-	-	7.00	23.00	-	-

Weights and dimensions are approximate and not to be used for construction unless Certified By Manufacturer.



📍 Corporate Office
1180 Britannia Road East,
Mississauga, ON L4W 1C8, Canada

☎ (905) 461-9617 📞 Toll Free 1-866-217 7867

🌐 rotechpumps.com ✉ sales@rotechpumps.com

