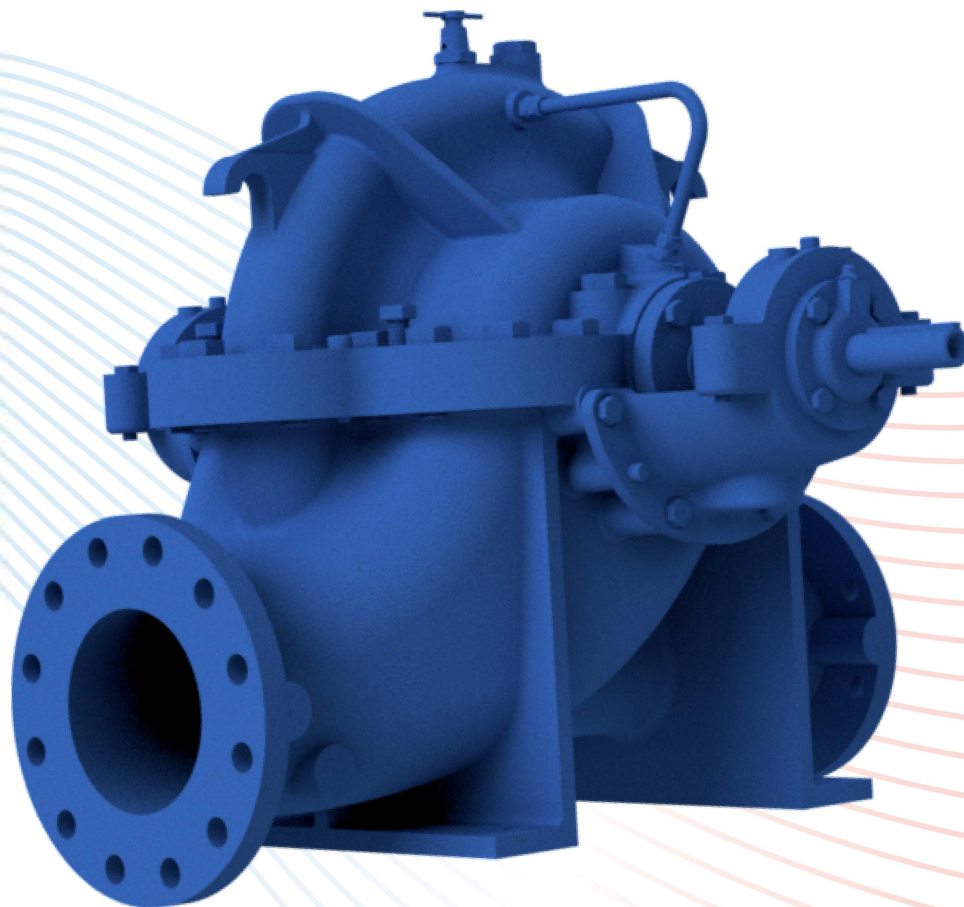


# RHS RHST AXIALLY SPLIT

PROCESS PUMPS



QUALITY | COMMITMENT | ADAPTABILITY



HIGH ON **PERFORMANCE**  
GREAT ON **RELIABILITY**

## Design Features

RHS Series is designed with an engineered understanding of the needs of the various applications segments. Pumps have extended best efficiency zones & low noise and vibration characteristics for energy efficient and environment friendly operation.

Low NPSHR ensures high suction lift capability and protects the pump from cavitation without compromising efficiency.

## Material Options

- Ductile iron • Carbon steel • Stainless steel • Duplex SS • Alloy 20
- Hastelloy B & C • Nickel Alloys • Titanium and Any Other Special Alloys

## Power Frame

Non-overloading power characteristics:  
Keeps the motor rating low

The shaft is generously sized to cover maximum loading and supported by two grease lubricated deep groove ball bearings. Shaft design ensures minimum deflection and improved life for bearings, wear rings and shaft seals. Shafts are protected by shaft sleeves in packed gland pumps.

With the top half casing removed, the complete rotating assembly can be withdrawn by the simple removal of four bearing housing 'top clamp' bolts; no need to dismantle bearings.

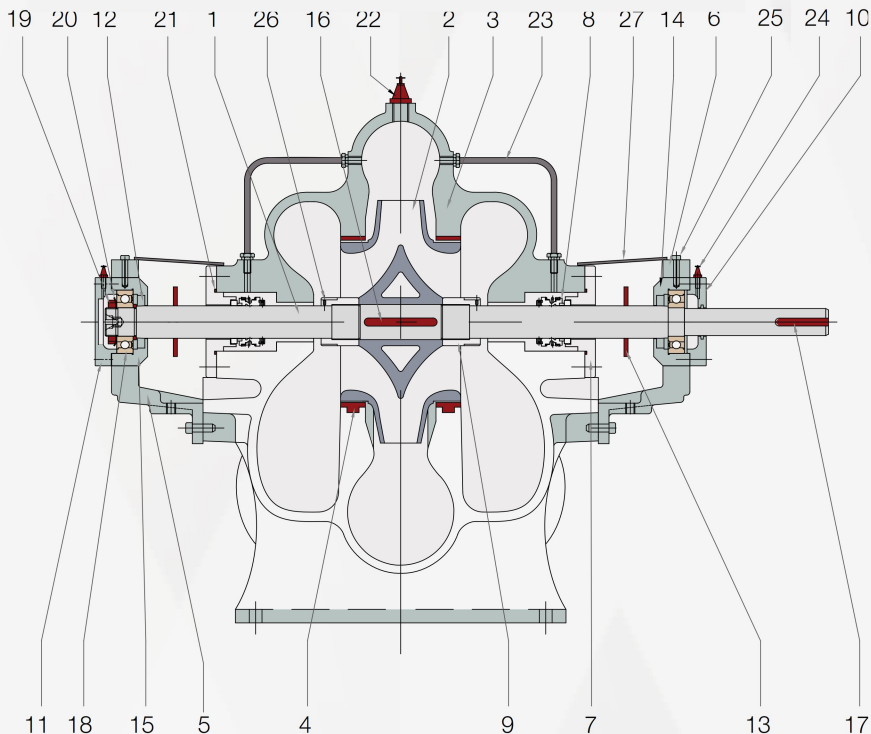
## Stuffing Box Covers / Sealing Options

Easily converted for use with soft-packing or mechanical seals. All pump casings are pre-drilled and tapped to easily facilitate either option.



## Applications

- HVAC
- UTILITIES
- GENERAL INDUSTRY
- MARINE
- PAPER MILLS
- OIL AND GAS
- WATER AND WASTEWATER

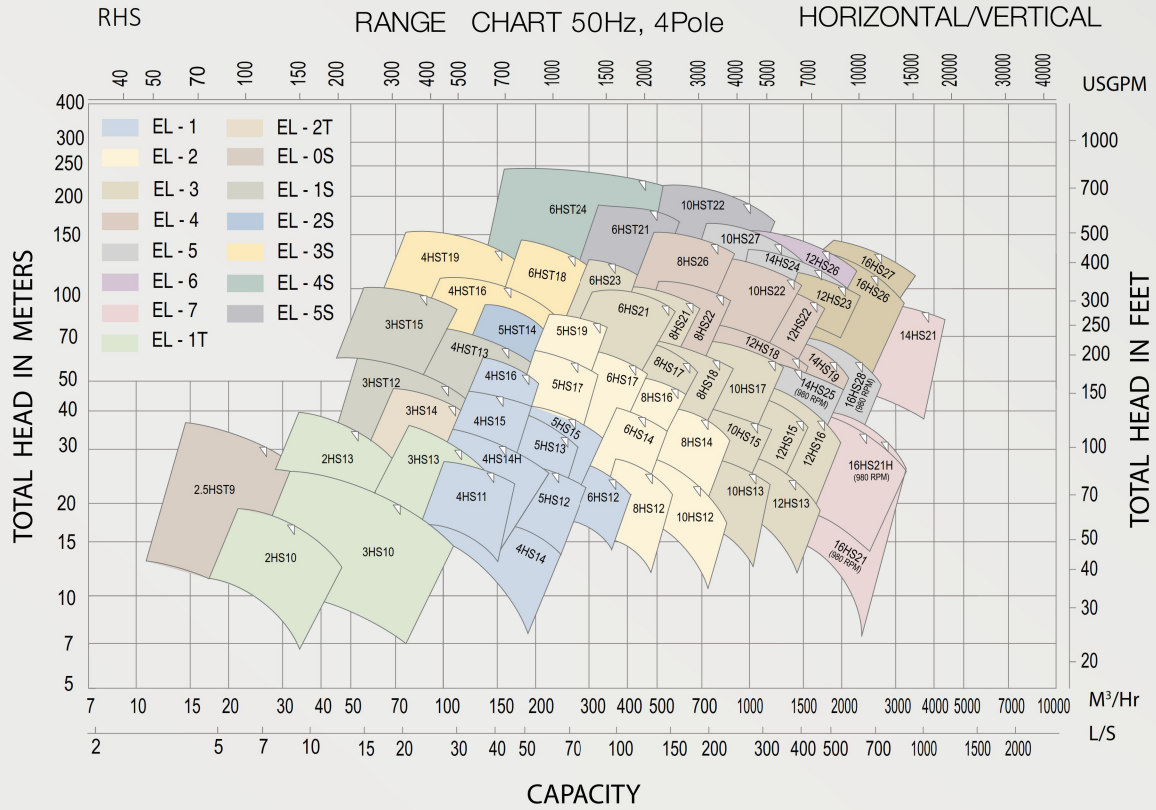


2	IMPELLER	1	BRONZE LG2
3	CASING	1SET	CI GR.FG260
4	CASING WEAR RING	2	BRONZE LB2
5	BEARING BRACKET	2	CI GR.FG260
6	BEARING TOP CLAMP	2	CI GR.FG260
7	GLAND PLATE	2	CI GR.FG260
8	MECHANICAL SEAL	2	FLOW SERVE OR EQUAL
9	IMPELLER NUT	2	BRONZE LG2
10	Bearing End Cover Outer (PE)	1	CI GR.FG260
11	Bearing End Cover Outer (FE)	1	CI GR.FG260
12	THRUST COLLAR	1	AISI 304
13	WATER THROWER	2	NEOPRENE
14	BEARING HOUSING (PE)	1	CI GR.FG260
15	BEARING HOUSING (FE)	1	CI GR.FG260
16	IMPELLER KEY	1	AISI 410
17	COUPLING KEY	1	AISI 410
18	DEEP GROOVE BALL BEARING	2	SKF 63xx
19	LOCK NUT	1	AISI 304
20	LOCK WASHER	1	AISI 304
21	'O' RING FOR GLAND PLATE	2	VITON
22	AIR COCK	1	AISI 304
23	SEAL WATER PIPE	2	COPPER
24	GREASE NIPPLE	2	AISI 304
25	LOCKING PIN	2	AISI 304
26	GRUB SCREW	2	AISI 304
27	SHAFT GUARD	2	AISI 304

# HYDRAULIC PERFORMANCE COVERAGE

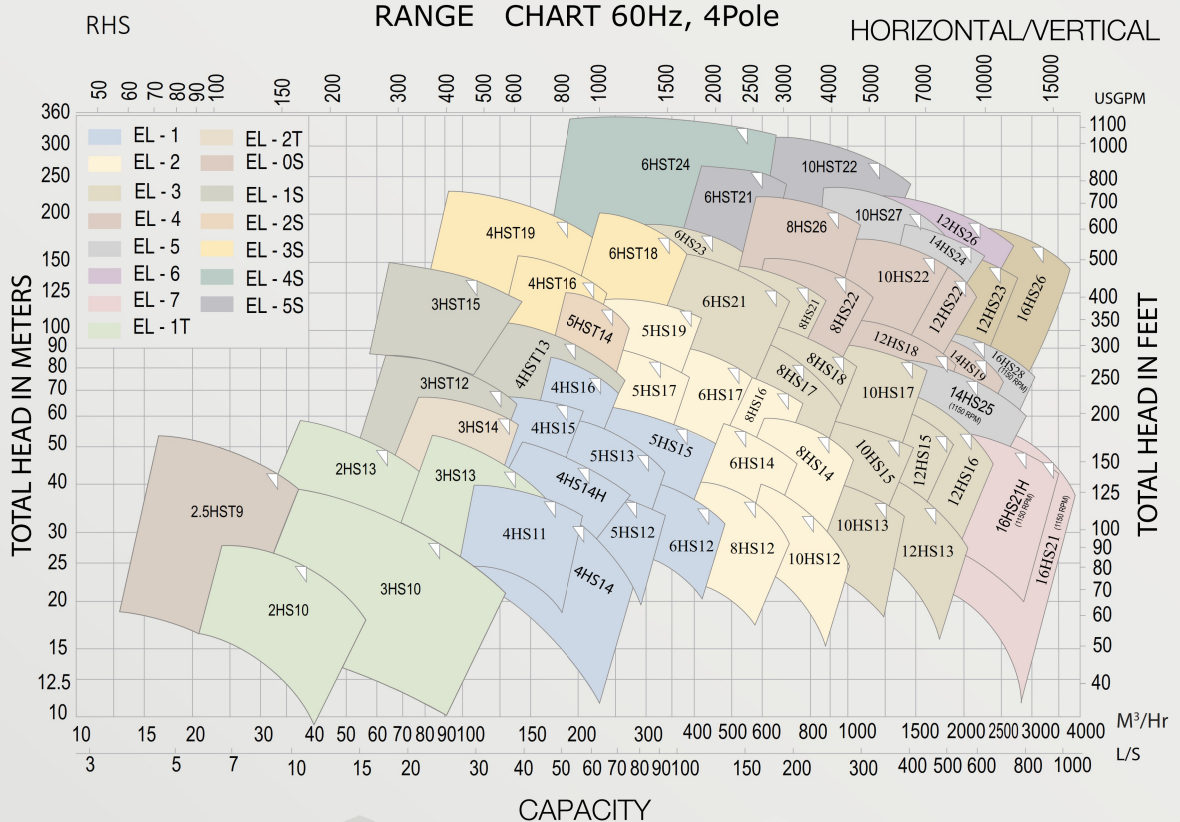
## 4 Pole Motor

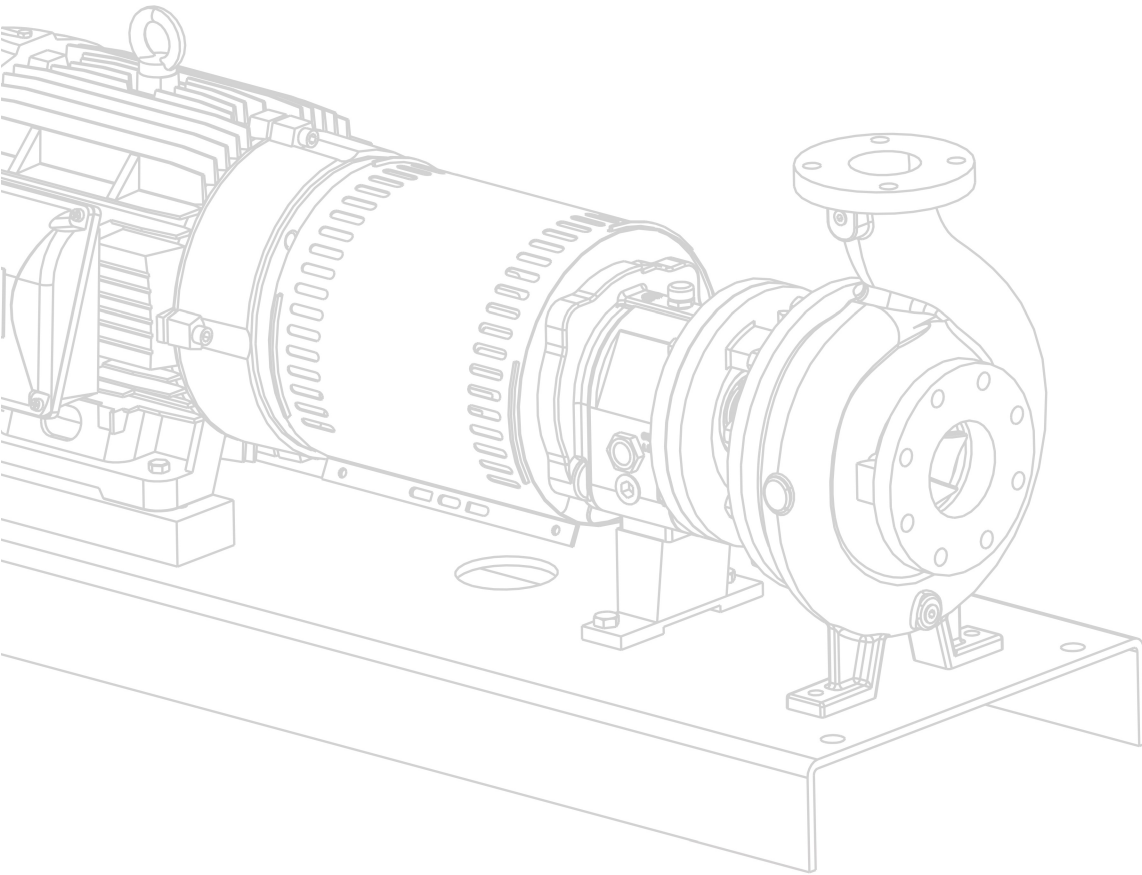
### STANDARD SPLIT CASE PUMPS



## 4 Pole Motor

### STANDARD SPLIT CASE PUMPS





QUALITY | COMMITMENT | ADAPTABILITY

## CANADA

Headquarters

1180 Britannia Road East,  
Mississauga, Ontario, L4W 1C8

☎ 1 - 866 - 217 - 7867

✉ [sales@rotechpumps.com](mailto:sales@rotechpumps.com)



## USA

Headquarters

16640, W Basin St,  
Odessa, Texas 79763

☎ 432 - 556 - 8652

✉ [usasales@rotechpumps.com](mailto:usasales@rotechpumps.com)

[www.rotechpumps.com](http://www.rotechpumps.com)