



QWP SERIES

NEW FREE FLOW IMPELLER PUMP

The QWP series is a new sanitary centrifugal pump with a Free Flow impeller (straight vanes) that allows the passage of solids. Ideal for sanitary applications in the food and beverage industry, such as the wine industry.



- Ideal for fluids with small soft solids and aqueous slurries.
- Volute Casing
- Handles up to 700 gpm, 125 psi, 500 cPs, 120° C
- Designed under 3-A and EHEDG hygienic standards
- Available in QWP 328 size

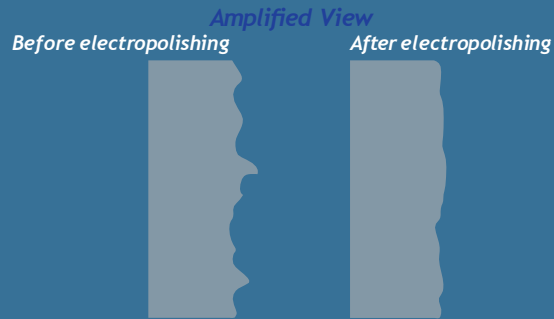
CHARACTERISTICS

- 100% electropolished
- New Free Flow impeller (straight vanes) that allows solid passage.
- Easy to switch between a QIS 328 to QWP 328
- 100% hygienic pump
- With lower side discharge or drain option.



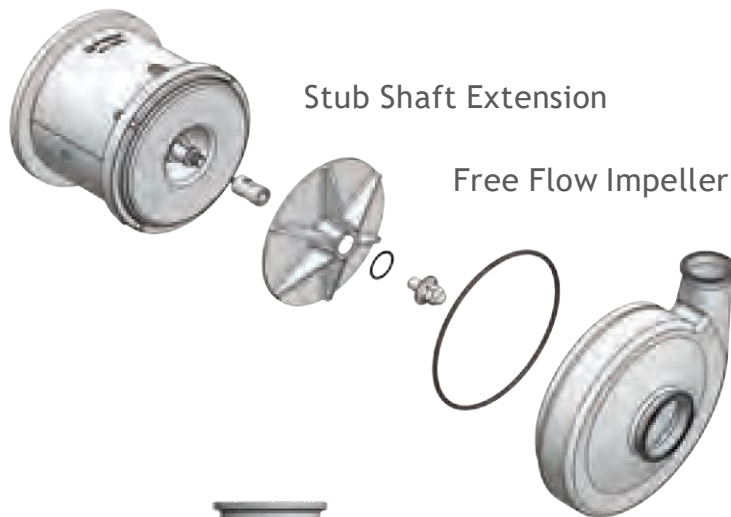
The QWP pump is 100% electropolished, which reduces surface roughness. The electropolishing process is essential in the food, personal care and pharmaceutical industries due to its optimal hygienic conditions that prevents forming bacteria deposits.

- Totally hygienic surface that prevents bacteria formation.
- Creates a clean, smooth surface that is easier to sterilize
- Increases resistance to corrosion
- Electropolishing reaches areas no other polishing method reaches

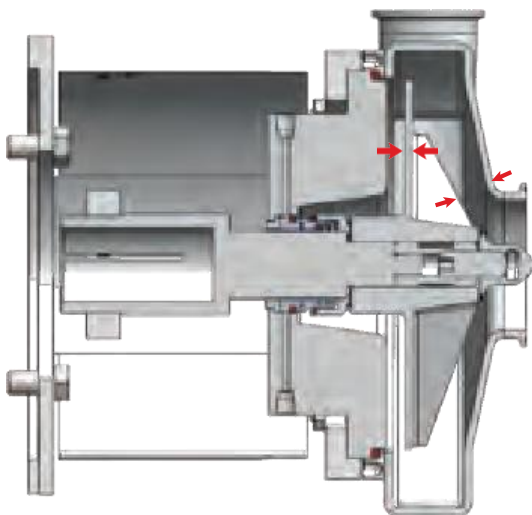


ADVANTAGES OF THE FREE FLOW IMPELLER

- It doesn't get stuck with the branches, leaves of the grape bunches.
- Doesn't damage the final product



QWP SERIES COMPONENTS



QWP 328

Impeller straight vanes
Higher tolerance between impeller and back cover to avoid the product jamming