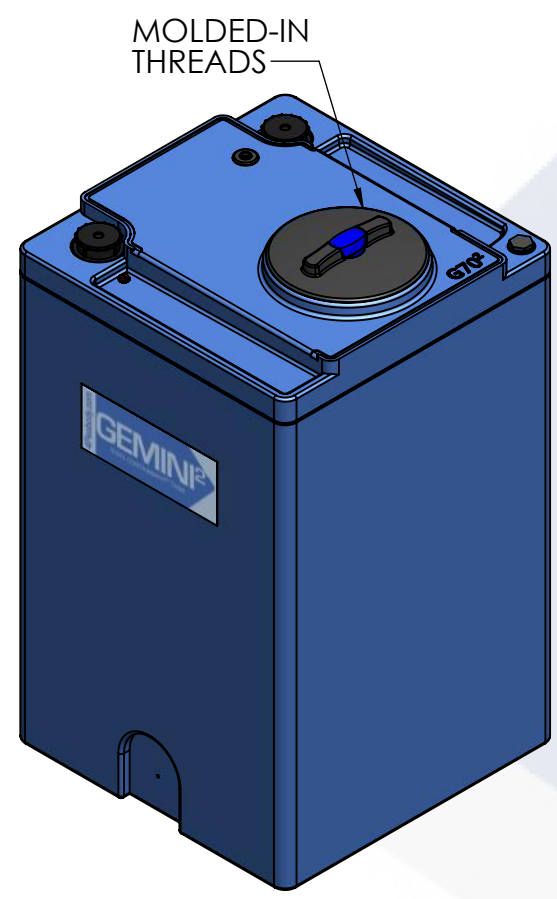
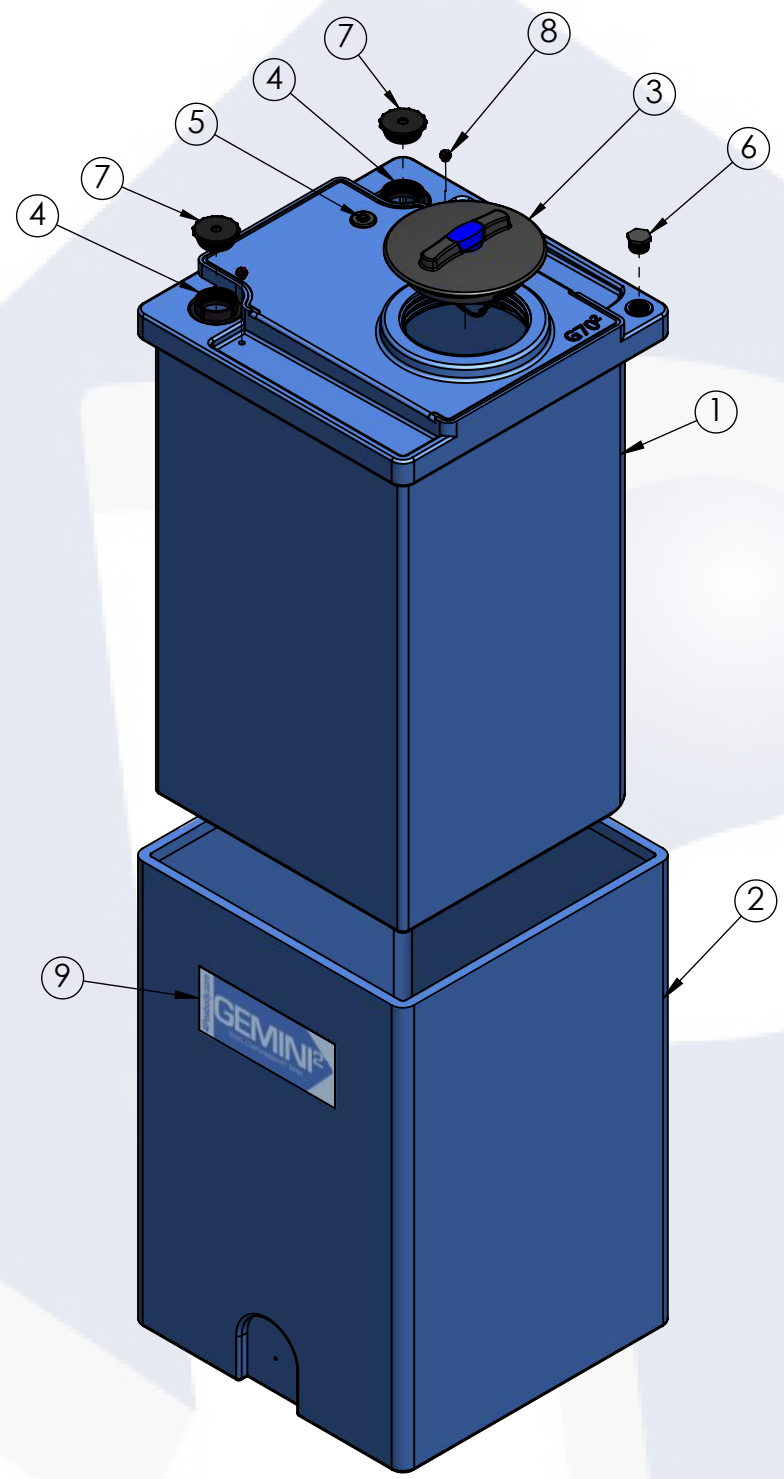


70 GALLON GEMINI ²	PART NUMBER	
	BLUE	NATURAL
LPE (1.5)	01-29824	01-29828
LPE (1.9)	01-30068	01-30072
XLPE (1.5)	N/A	01-30149
XLPE (1.9)	N/A	01-30154



ISOMETRIC VIEW ASSEMBLED




ISOMETRIC VIEW EXPLODED

ALTERNATE CONFIGURATION TO MEET NSF/ANSI STANDARD 61 AVAILABLE

TOP LEVEL ASSEMBLY		
ITEM NO.	DESCRIPTION	Default/QT Y.
1	70G GEMINI ² , PRIMARY TANK	1
2	70G GEMINI ² , SECONDARY TANK	1
3	Ø10" OD / 8" ID TWIST LID ASSY	1
4	Ø2" FNPT SPIN WELD FITTING, PE	2
5	Ø1-5/8" CAPLUG / GROMMET ASSY	1
6	Ø1" PLUG, MPT, PE, BLACK	1
7	Ø2" MPT PLUG, PE, BLACK	2
8	RED CAPLUG / O-RING SUB-ASSY	2
9	GEMINI ² MOLD IN LOGO	1

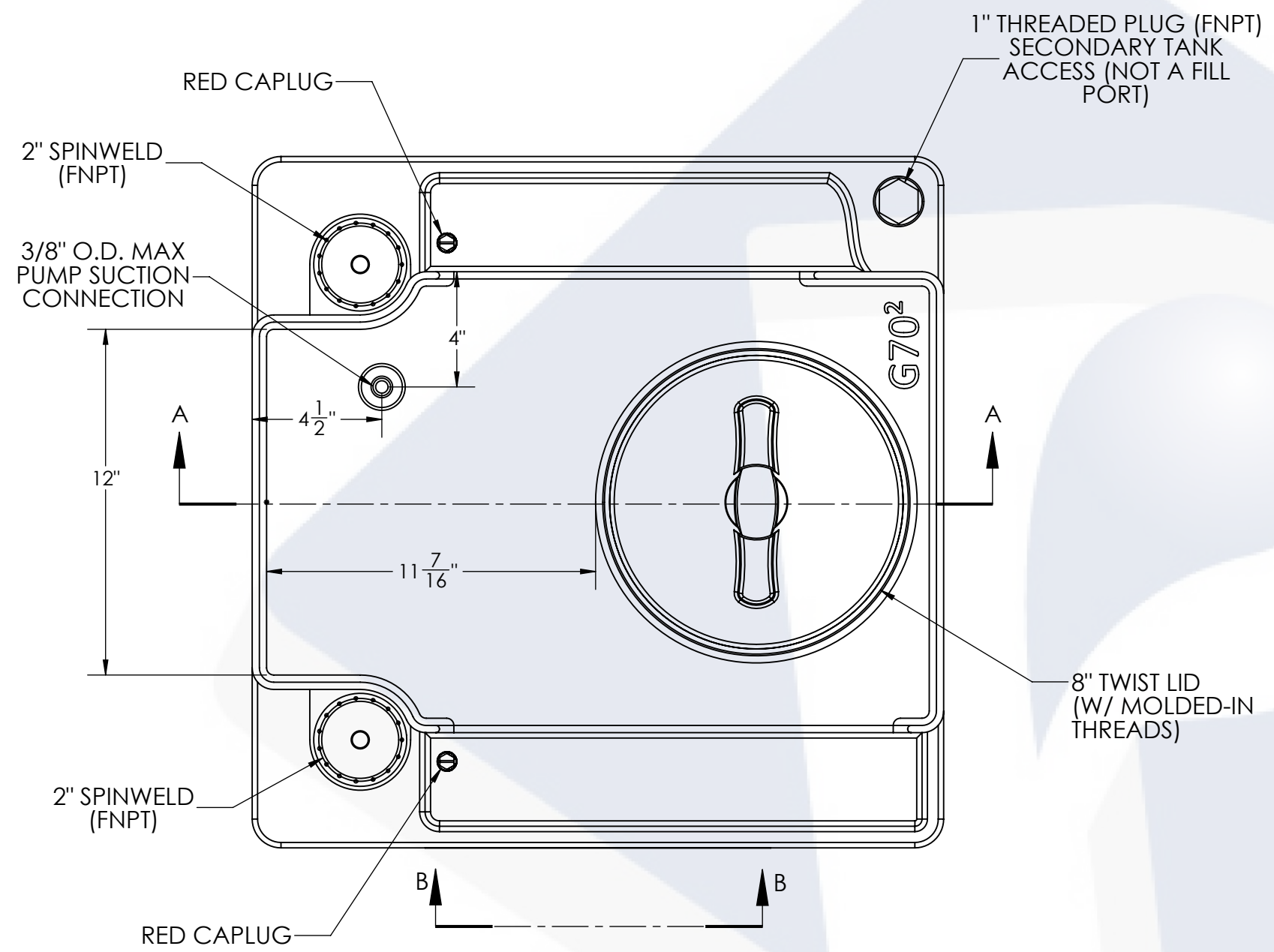
- NOTES:**
- CAPACITY: 70 GAL. NOMINAL
 - APPROXIMATE WEIGHT: 63 LBS
 - TANK MATERIAL: LLDPE W/ UV INHIBITOR
 - GASKETS: EPDM
 - SERVICE PRESSURE: ATMOSPHERIC

PROPRIETARY AND CONFIDENTIAL
 THE INFORMATION CONTAINED IN THIS DRAWING IS THE SOLE PROPERTY OF PEABODY ENGINEERING. ANY REPRODUCTION IN PART OR AS A WHOLE WITHOUT THE WRITTEN PERMISSION OF PEABODY ENGINEERING IS PROHIBITED.

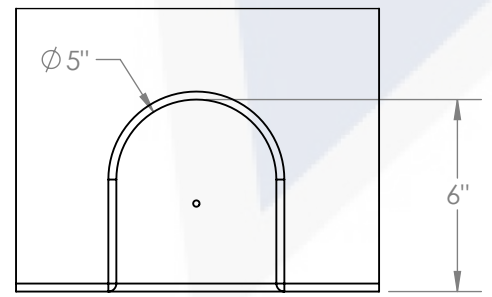
UNLESS OTHERWISE SPECIFIED:		NAME	DATE		
DIMENSIONS ARE IN INCHES TOLERANCES: ±1/4" ANGULAR: ± .5° ONE PLACE DECIMAL: ± .25 TWO PLACE DECIMAL: ± .125 THREE PLACE DECIMAL: ± .063		DRAWN	NRG 4/9/19		PROJECT: GEMINI ² DUAL CONTAINMENT TANKS
TANK MATERIAL: LPE		CHECKED			CUSTOMER: PEABODY STANDARD
INNER TANK S/N:		ENG APPR.			SITE/LOCATION: -
OUTER TANK S/N:		MFG APPR.		DRAWING#: SEE TABLE	
CUSTOMER PO#		Q.A.		SIZE B	
DO NOT SCALE DRAWING		ALTERNATIVE VERSIONS MATERIALS: XLPE, PPL, PVDF COLORS: NATURAL, BLUE OR BLACK AVAILABLE WITH FRP WRAP		DESC. 70 GALLON GEMINI ² TANK, 24" x 24" x 41" REV. H	
		CALL FOR PART NUMBERS		SCALE: 1:12 SHEET 1 OF 2	

8 7 6 5 4 3 2 1

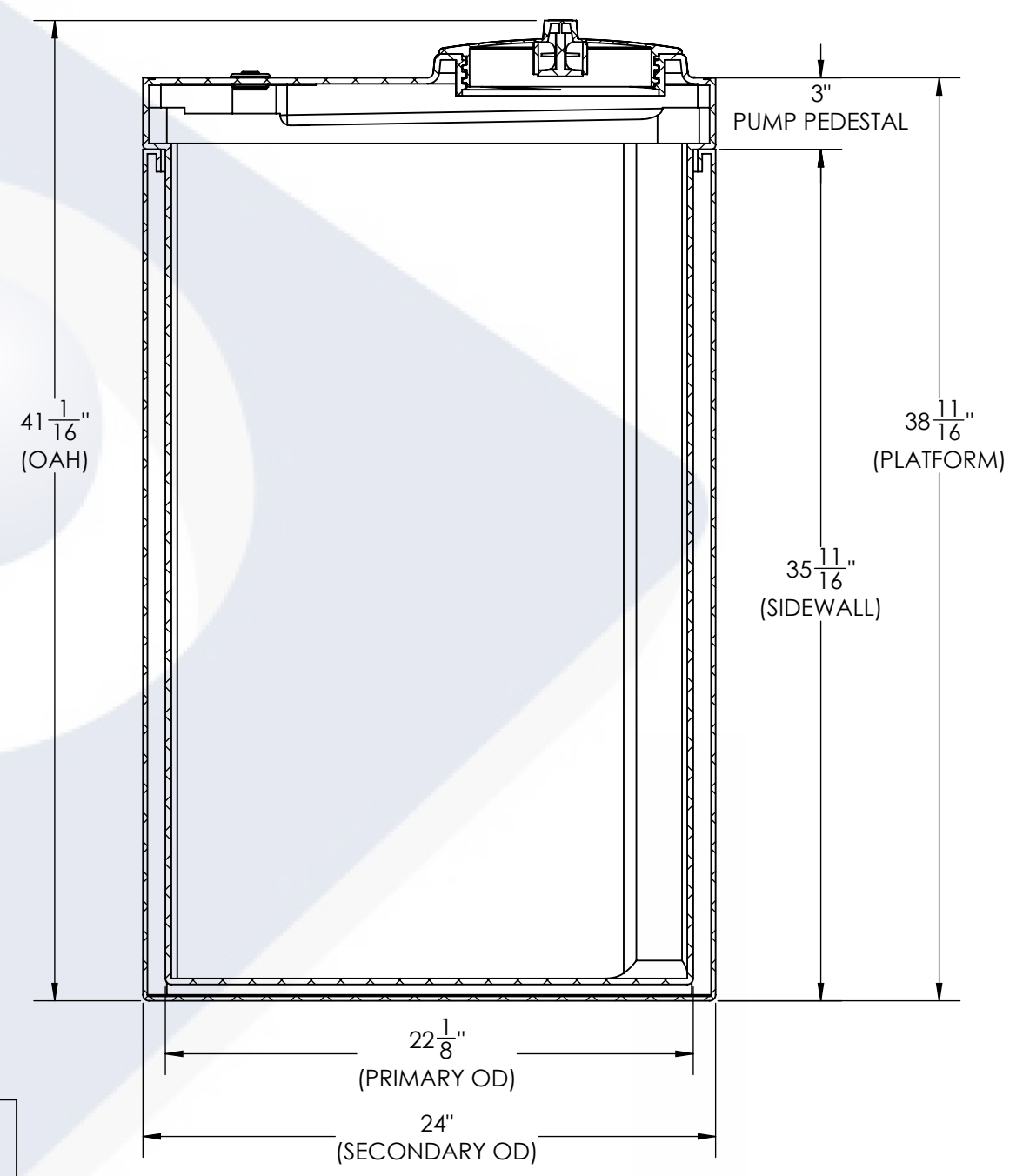
D
C
B
A



PLAN VIEW



**SECTION B-B
SCALE 1 : 6**



**SECTION A-A
SCALE 1 : 7**



PROJECT: 70G Gemini², CUSTOMER Print

SCALE: 1:5

SHEET 2 OF 2

8 7 6 5 4 3 2 1