

SALES & ENGINEERING DATA

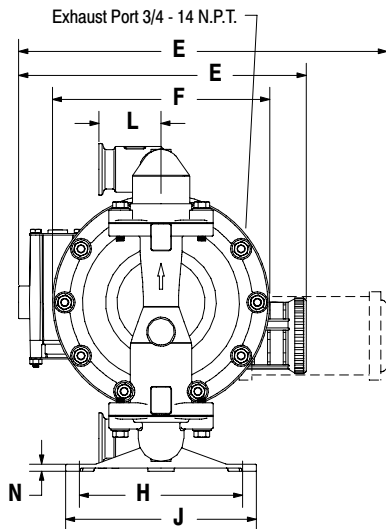
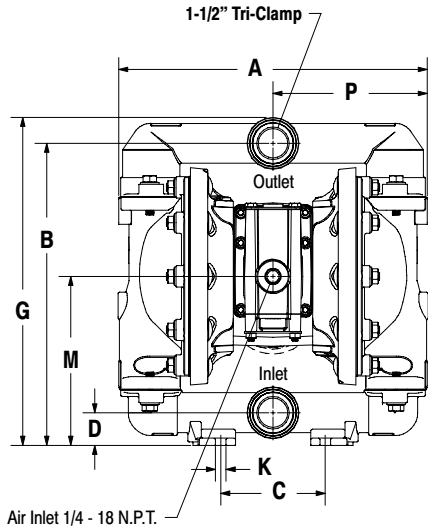
RATIO SERIES: **1:1**

FLUID P.S.I. RANGE: **20 - 120**

PM10X-CSS-XXX-A02 1" METALLIC DIAPHRAGM PUMP

RELEASED: 2-28-05
REVISED: 6-10-10
(REV. 04) S-1307

DIMENSIONAL DATA



DIMENSIONS

A - 11-13/16" (299.8 mm)	F - see below	L - 2-3/8" (60.3 mm)
B - 11-9/16" (293.7 mm)	G - 12-9/16" (318.9 mm)	M - 6-15/32" (164.3 mm)
C - 4" (101.6 mm)	H - 6-1/4" (158.8 mm)	N - 9/32" (7.0 mm)
D - 1-1/4" (31.8 mm)	J - 7-5/16" (185.7 mm)	P - 5-29/32" (149.9 mm)
E - see below	K - 13/32" (10.3 mm)	

	"E"	"F"
PM10A-CSS-XXX-A02	13-27/32" (351.4 mm)	8-3/16" (207.9 mm)
PM10R-CSS-XXX-A02	10-25/32" (273.2 mm)	8-5/16" (211.1 mm)
PM10S-CSS-XXX-A02	13-27/32" (351.4 mm)	8-3/16" (207.9 mm)

SPECIFICATIONS

CONSTRUCTION

Model Series	PM10X-CSS-XXX-A02
Pump Type	Metallic, Air Operated, Double Diaphragm
Ratio	1:1
Material Inlet / Outlet	1-1/2" Tri-Clamp
Air Inlet (female)	1/4 - 18 N.P.T.
Air Exhaust (female)	3/4 - 14 N.P.T.
Weight	PM10A-CSS-XXX-A02 . . . 44.84 lbs (20.3 kgs)
	PM10R-CSS-XXX-A02 . . . 38.2 lbs (17.3 kgs)
	PM10S-CSS-XXX-A02 . . . 51.64 lbs (23.4 kgs)
Air Section Service Kit	637397
Major Air Valve Assembly	
PM10A-CSS-XXX-A02	637395-3
PM10R-CSS-XXX-A02	637395-1
PM10S-CSS-XXX-A02	637395-5
Fluid Section Service Kit	637401-XX

PM10X-CSS-X -A02

637401 -

Diaphragm Material
Ball Material

EXAMPLE: Model # PM10A-CSS-AAA-A02
Fluid Section Service Kit is 637401-AA

PERFORMANCE

Air Inlet Pressure Range	20 - 120 p.s.i. (1.4 - 8.3 bar)
Maximum Material Inlet Pressure	10 p.s.i. (0.69 bar)
Fluid Pressure Range	20 - 120 p.s.i. (1.4 - 8.3 bar)
Maximum Flow Rate (flooded inlet)	52.2 g.p.m. (197.6 l.p.m.)
Displacement / Cycle @ 100 p.s.i.	0.232 gal. (0.88 lit.)
Maximum Particle Size	1/8" dia. (3.3 mm)
Maximum Temperature Limits (diaphragm / ball / seal material)	
E.P.R. / EPDM	-60° to 280° F (-51° to 138° C)
Polypropylene	35° to 150° F (2° to 66° C)
Santoprene	-40° to 225° F (-40° to 107° C)
PTFE	40° to 225° F (4° to 107° C)
Noise Level @ 70 p.s.i. - 60 c.p.m.	80.6 db(A) ^①

① The pump sound pressure level has been updated to an Equivalent Continuous Sound Level (L_{Aeq}) to meet the intent of ANSI S1. 13-1971, CAGI-PNEUROPS S5.1 using four microphone locations.

PERFORMANCE CURVES

PM10X-CSS-XXX-A02 1" METALLIC DIAPHRAGM PUMP

