

OPERATOR'S MANUAL

INCLUDING: OPERATION, INSTALLATION & MAINTENANCE

PD10P-X PE10P-X

RELEASED: 11-10-03
 REVISED: 6-5-06
 (REV. 08)

1" DIAPHRAGM PUMP 1:1 RATIO (NON-METALLIC)



**READ THIS MANUAL CAREFULLY BEFORE INSTALLING,
 OPERATING OR SERVICING THIS EQUIPMENT.**

It is the responsibility of the employer to place this information in the hands of the operator. Keep for future reference.

SERVICE KITS

Refer to Model Description Chart to match the pump material options.
 637397 for air section repair (see page 6).
 637396-XX for fluid section repair (see page 4). NOTE: This kit also contains several air motor seals which will need to be replaced.
 637395-X major air valve assembly (see page 7).

PUMP DATA

Models	see Model Description Chart for "-XXX".
Pump Type	Non-Metallic Air Operated Double Diaphragm
Material	see Model Description Chart.
Weight	PX10P-FKS-XXX 27.15 lbs (12.32 kgs)
	PX10P-FPS-XXX 19.87 lbs (9.01 kgs)
	PX10P-YKS-XXX 26.72 lbs (12.12 kgs)
	PX10P-YPS-XXX 19.59 lbs (8.89 kgs)
	PX10P-AKS-XXX, -BKS 25.83 lbs (11.72 kgs)
	PX10P-APS-XXX, -BPS 19.35 lbs (8.78 kgs)
Maximum Air Inlet Pressure	120 p.s.i.g. (8.3 bar)
Maximum Material Inlet Pressure	10 p.s.i.g. (0.69 bar)
Maximum Outlet Pressure	120 p.s.i.g. (8.3 bar)
Maximum Flow Rate (flooded inlet)	53.0 g.p.m. (200.6 l.p.m.)
Displacement / Cycle @ 100 p.s.i.g.	0.226 gal. (0.86 lit.)
Maximum Particle Size	1/8" dia. (3.2 mm)
Maximum Temperature Limits (diaphragm / ball / seal material)	
E.P.R. / EPDM	-60° to 280° F (-51° to 138° C)
Hytre [®]	-20° to 150° F (-29° to 66° C)
Nitrile	10° to 180° F (-12° to 82° C)
Polypropylene	35° to 150° F (2° to 66° C)
PVDF (Kynar [®])	10° to 200° F (-12° to 93° C)
Santoprene [®]	-40° to 225° F (-40° to 107° C)
T.F.E. (Teflon [®])	40° to 225° F (4° to 107° C)
Viton [®]	-40° to 350° F (-40° to 177° C)
Dimensional Data	see page 8
Mounting Dimension	5.032" x 10.050" (127.8 mm x 255.3 mm)
Noise Level @ 70 p.s.i., 60 c.p.m.	79.7 db(A) ^①

① The pump sound pressure levels published here have been updated to an Equivalent Continuous Sound Level (L_{Aeq}) to meet the intent of ANSI S1.13-1971, CAGI-PNEU-ROP S5.1 using four microphone locations.

NOTICE: All possible options are shown in the chart, however, certain combinations may not be recommended, consult a representative or the factory if you have questions concerning availability.

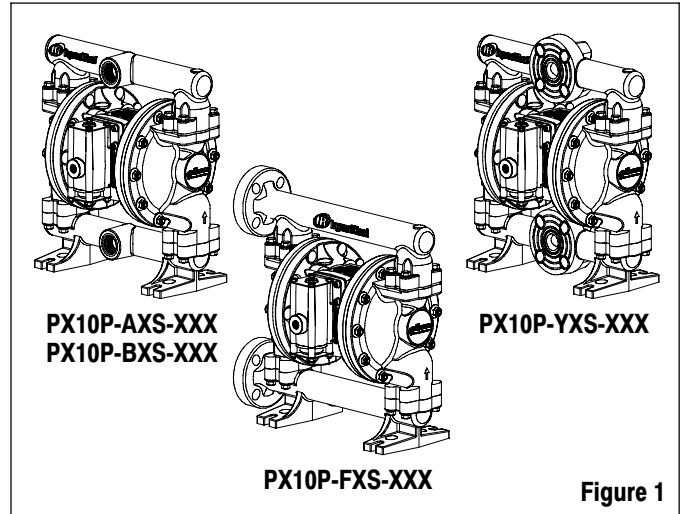


Figure 1

MODEL DESCRIPTION CHART

P X 1 0 P - X X S - X X X		
Electronic Interface D - None E - Available		
Center Section Material P - Polypropylene		
Fluid Connection / Location A - 1" N.P.T.F. - 1 B - Rp 1 - 11 BS F - 1" A.N.S.I. / DIN Flange / End Y - 1" A.N.S.I. / DIN Flange / Center		
Fluid Caps & Manifold Material K - PVDF (Kynar) P - Polypropylene		
Hardware Material S - Stainless Steel		
Seat Material H - Hard 440 Stainless Steel K - PVDF (Kynar) P - Polypropylene S - 316 Stainless Steel		
Ball Material A - Santoprene G - Nitrile V - Viton C - Hytre T - T.F.E. (Teflon)		
Diaphragm Material A - Santoprene M - Medical Grade Santoprene C - Hytre T - T.F.E. (Teflon) / Santoprene G - Nitrile V - Viton		
FLUID SECTION SERVICE KIT SELECTION PX10P - XXS - X X X		
EXAMPLE: MODEL # PD10P-FPS-PAA 637396 - <input checked="" type="checkbox"/> <input checked="" type="checkbox"/> FLUID SECTION SERVICE KIT # 637396-AA Ball <input type="checkbox"/> Diaphragm <input type="checkbox"/>		