

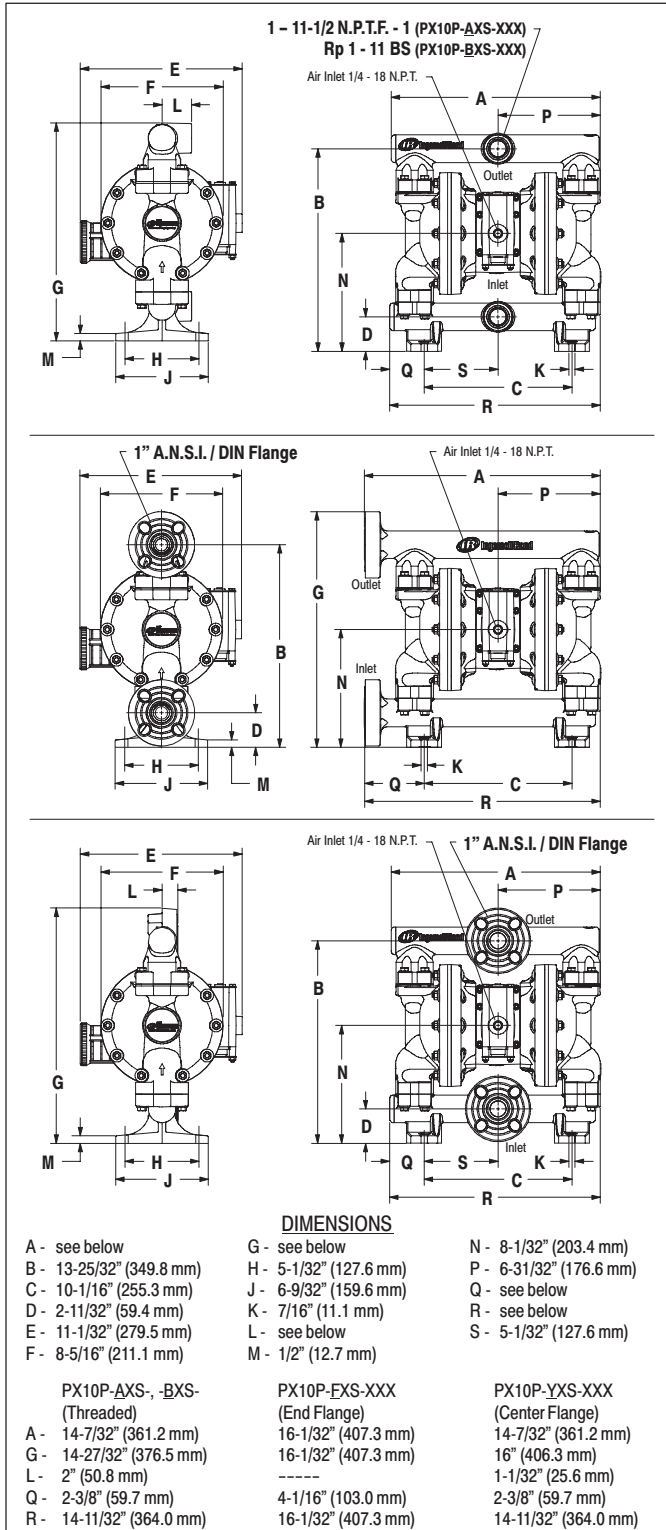
SALES & ENGINEERING DATA

RATIO SERIES:	1:1
FLUID P.S.I. RANGE:	20 - 120

PD10P-XXS-XXX and PE10P-XXS-XXX 1" NON-METALLIC DIAPHRAGM PUMP

RELEASED: 1-9-04
 REVISED: 2-28-05
 (REV. 04) S-1304

DIMENSIONAL DATA



SPECIFICATIONS

CONSTRUCTION

Model Series	PD10P-XXS-XXX PE10P-XXS-XXX
Pump Type	Non-Metallic, Air Operated, Double Diaphragm
Ratio	1:1
Material Inlet / Outlet	
PX10P-AXS-XXX (female)	1 - 11-1/2 N.P.T.F. - 1
PX10P-BXS-XXX (female)	Rp 1 - 11 BS
PX10P-FXS-XXX, -YXS	1" A.N.S.I. / DIN Flange
Air Inlet (female)	1/4 - 18 N.P.T.
Air Exhaust (female)	3/4 - 14 N.P.T.
Weight ..	
PX10P-AKS-XXX, -BKS ..	25.83 lbs (11.72 kgs)
PX10P-APS-XXX, -BPS ..	19.35 lbs (8.78 kgs)
PX10P-FKS-XXX	27.15 lbs (12.32 kgs)
PX10P-FPS-XXX	19.87 lbs (9.01 kgs)
PX10P-YKS-XXX	26.72 lbs (12.12 kgs)
PX10P-YPS-XXX	19.59 lbs (8.89 kgs)
Air Section Service Kit	637397
Major Air Valve Assembly	
PD10P-XXS-XXX	637395-1
PE10P-XXS-XXX	637395-2
Fluid Section Service Kit	637396-XX

PX10P-XXS-X
637396 -
 Diaphragm Material
 Ball Material

EXAMPLE: Model # PD10P-FPS-PAA
 Fluid Section Service Kit is 637396-AA

PERFORMANCE

Air Inlet Pressure Range	20 - 120 p.s.i. (1.4 - 8.3 bar)
Maximum Material Inlet Pressure ..	10 p.s.i. (0.69 bar)
Fluid Pressure Range	20 - 120 p.s.i. (1.4 - 8.3 bar)
Maximum Flow Rate (flooded inlet) ...	53.0 g.p.m. (200.6 l.p.m.)
Displacement / Cycle @ 100 p.s.i. ..	0.226 gal. (0.86 lit.)
Maximum Particle Size	1/8" dia. (3.2 mm)
Maximum Temperature Limits (diaphragm / ball / seal material)	
E.P.R. / EPDM	-60° to 280° F (-51° to 138° C)
Hytrel	-20° to 150° F (-29° to 66° C)
Nitrile	10° to 180° F (-12° to 82° C)
Polypropylene	35° to 150° F (2° to 66° C)
P.V.D.F. (Kynar)	10° to 200° F (-12° to 93° C)
Santoprene	-40° to 225° F (-40° to 107° C)
T.F.E. (Teflon)	40° to 225° F (4° to 107° C)
Viton	-40° to 350° F (-40° to 177° C)
Noise Level @ 70 p.s.i. - 60 c.p.m. ..	79.7 db(A) ^①

① The pump sound pressure level has been updated to an Equivalent Continuous Sound Level (L_{Aeq}) to meet the intent of ANSI S1. 13-1971, CAGI-PNEUROPS S5.1 using four microphone locations.

PERFORMANCE CURVES

PX10P-XXS-XXX 1" NON-METALLIC DIAPHRAGM PUMP

