

8

7

6

5

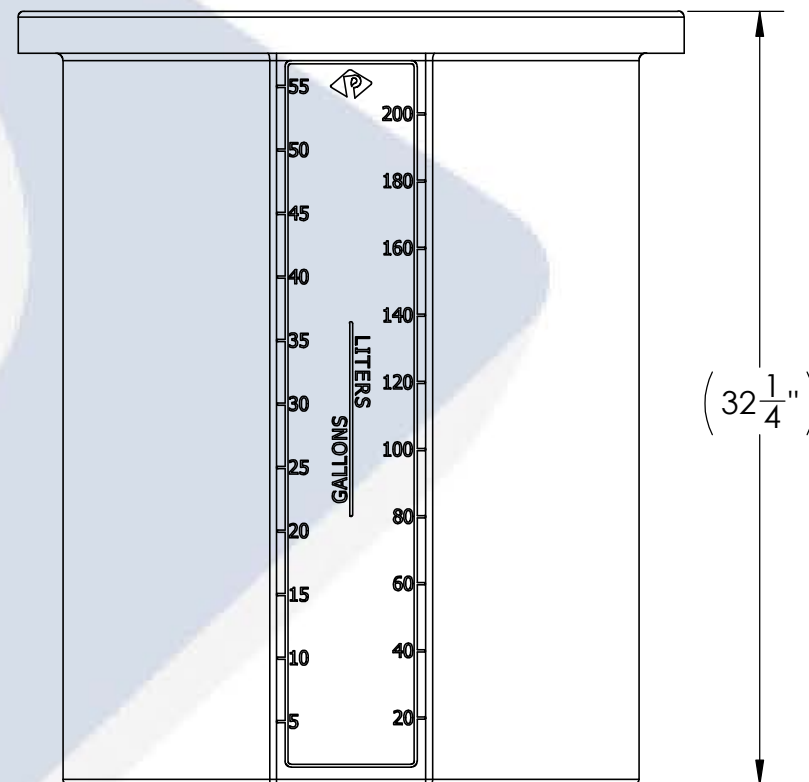
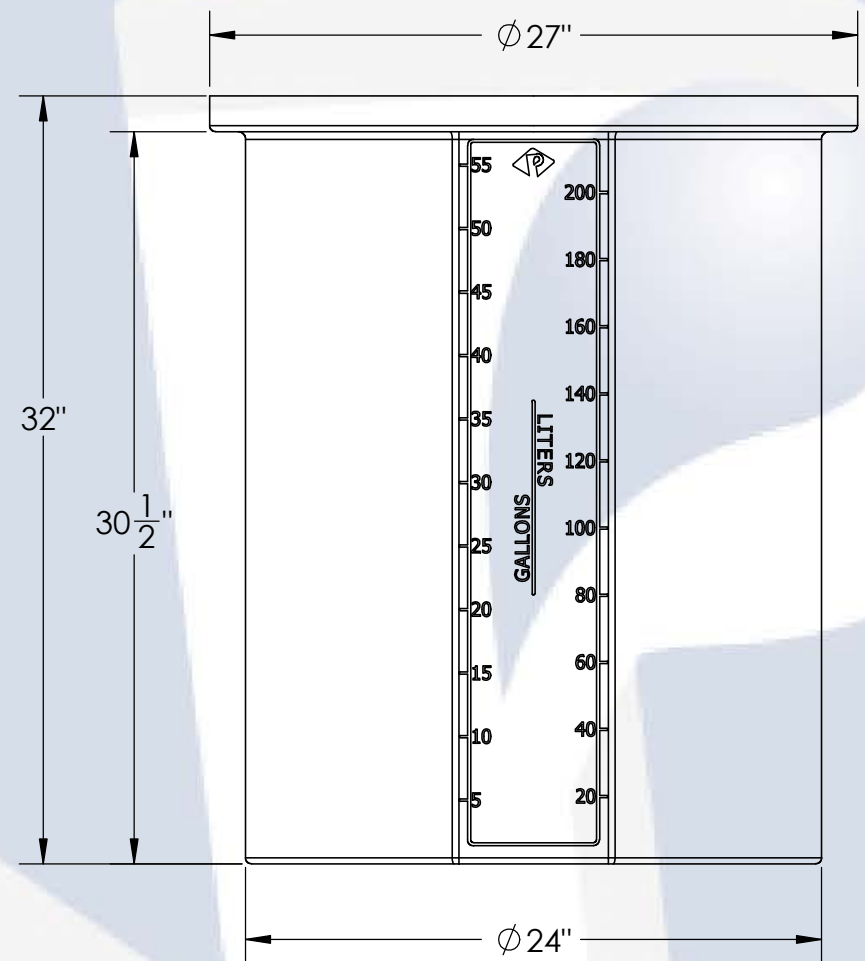
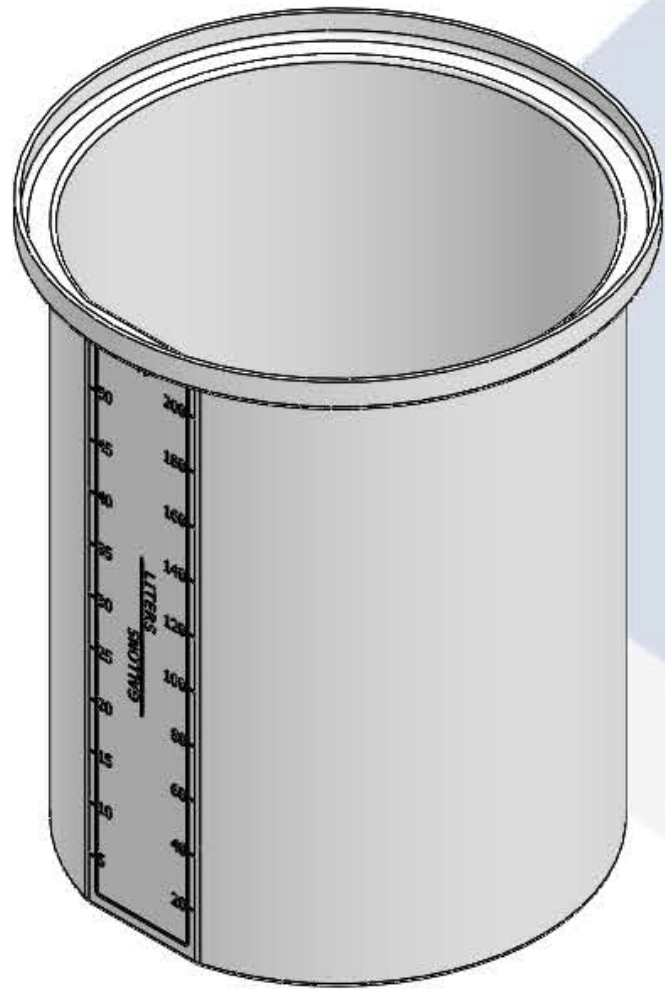
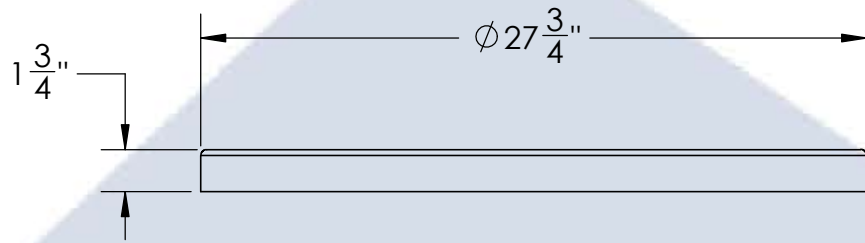
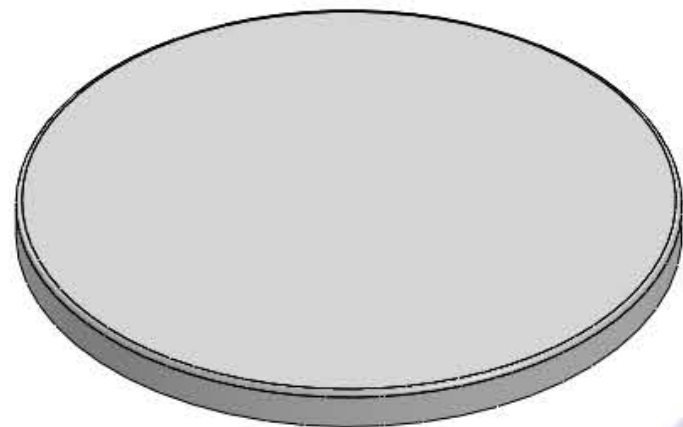
4

3

2

1

|                       |             |          |
|-----------------------|-------------|----------|
| 55 GALLON<br>OPEN TOP | PART NUMBER |          |
|                       | BLUE        | NATURAL  |
| STANDARD (1.5 SPG)    | 01-29366    | 01-28964 |



D

D

C

C

B

B

A

A

**NOTES:**

1. CAPACITY: 55 GAL. NOMINAL
2. APPROXIMATE WEIGHT: 24 LBS
3. TANK MATERIAL: HDLPE W/ UV INHIBITOR
4. SERVICE PRESSURE: ATMOSPHERIC

**PROPRIETARY AND CONFIDENTIAL**  
 THE INFORMATION CONTAINED IN THIS DRAWING IS THE SOLE PROPERTY OF PEABODY ENGINEERING. ANY REPRODUCTION IN PART OR AS A WHOLE WITHOUT THE WRITTEN PERMISSION OF PEABODY ENGINEERING IS PROHIBITED.

|   |   |      |          |   |
|---|---|------|----------|---|
| UNLESS OTHERWISE SPECIFIED:   |   | NAME | DATE     |   |
| DIMENSIONS ARE IN INCHES<br>TOLERANCES: ±1/4"<br>ANGULAR: ±.5°<br>ONE PLACE DECIMAL: ±.25<br>TWO PLACE DECIMAL: ±.125<br>THREE PLACE DECIMAL: ±.063 | DRAWN   | MSM  | 11/25/13 |   |
| TANK MATERIAL: HDPE   | CHECKED   |      |          | PROJECT: 55 GALLON OPEN TOP TANK ASSEMBLY |
| INNER TANK S/N:   | ENG APPR.   |      |          | CUSTOMER: PEABODY STANDARD                |
| OUTER TANK S/N:   | MFG APPR.   |      |          | SITE/LOCATION: -                          |
| CUSTOMER PO#  | Q.A.  |      |          | DRAWING#: SEE TABLE                       |
| DO NOT SCALE DRAWING  | <b>ALTERNATIVE VERSIONS</b>   |      |          | SIZE: B                                   |
|   | MATERIALS: XLPE, PPL, PVDF<br>COLORS: NATURAL, BLUE OR BLACK<br>AVAILABLE WITH FRP WRAP |      |          | DESC. PEABODY 55 GALLON OPEN TOP          |
|   | CALL FOR PART NUMBERS   |      |          | REV. C                                    |
|   | SCALE: 1:8  |      |          | SHEET 1 OF 1                              |

8

7

6

5

4

3

2

1