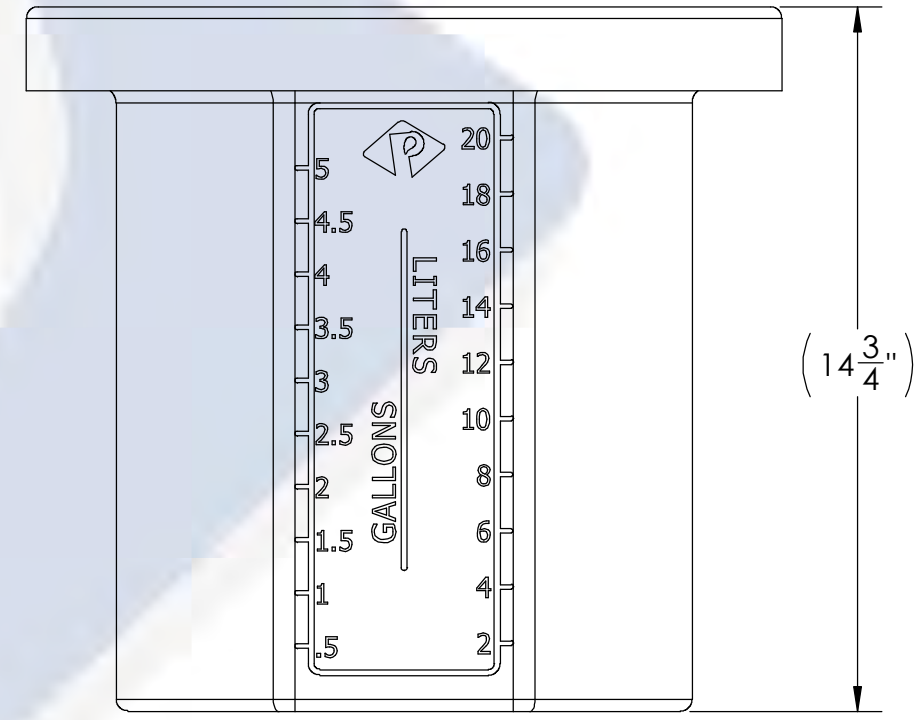
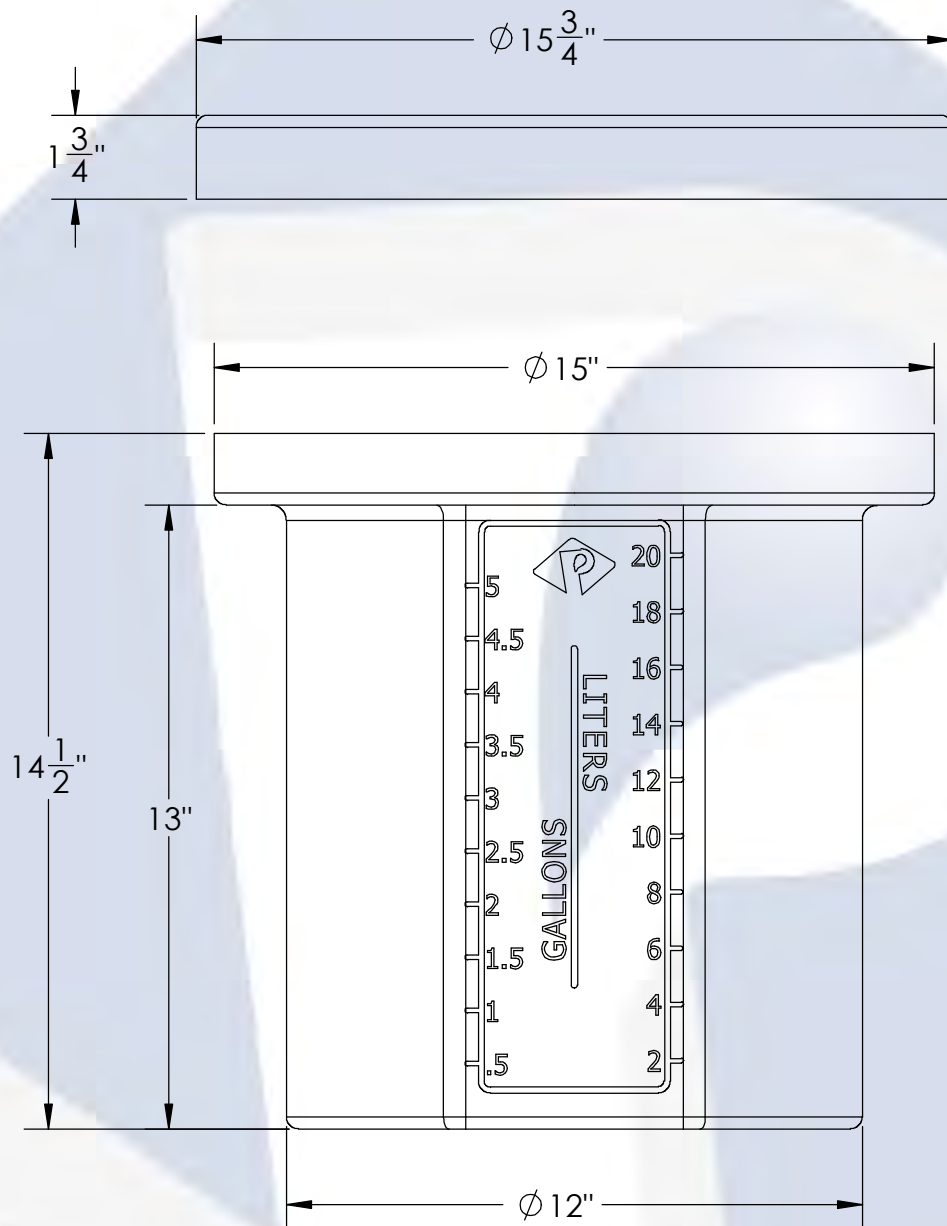


5 GALLON OPEN TOP	PART NUMBER	
	BLUE	NATURAL
STANDARD (1.5 SPG)	01-29593	01-28958



- NOTES:**
- CAPACITY: 5 GAL. NOMINAL
 - APPROXIMATE WEIGHT: 6 LBS
 - TANK MATERIAL: HDPE W/ UV INHIBITOR
 - SERVICE PRESSURE: ATMOSPHERIC

PROPRIETARY AND CONFIDENTIAL
 THE INFORMATION CONTAINED IN THIS DRAWING IS THE SOLE PROPERTY OF PEABODY ENGINEERING. ANY REPRODUCTION IN PART OR AS A WHOLE WITHOUT THE WRITTEN PERMISSION OF PEABODY ENGINEERING IS PROHIBITED.

UNLESS OTHERWISE SPECIFIED:
 DIMENSIONS ARE IN INCHES
 TOLERANCES: ±1/4"
 ANGULAR: ±.5°
 ONE PLACE DECIMAL: ±.25
 TWO PLACE DECIMAL: ±.125
 THREE PLACE DECIMAL: ±.063

NAME	DATE
DRAWN: MSM	11/25/13
CHECKED	
ENG APPR.	
MFG APPR.	
Q.A.	
ALTERNATIVE VERSIONS	
MATERIALS: XLPE, PPL, PVDF COLORS: NATURAL, BLUE OR BLACK AVAILABLE WITH FRP WRAP	
CALL FOR PART NUMBERS	

PROJECT: 5 GALLON OPEN TOP TANK ASSEMBLY		
CUSTOMER: PEABODY STANDARD		
SITE/LOCATION: -		
DRAWING#: SEE TABLE		
SIZE	DESC.	REV.
B	PEABODY 5 GALLON OPEN TOP	B
SCALE: 1:5		SHEET 1 OF 1