

8

7

6

5

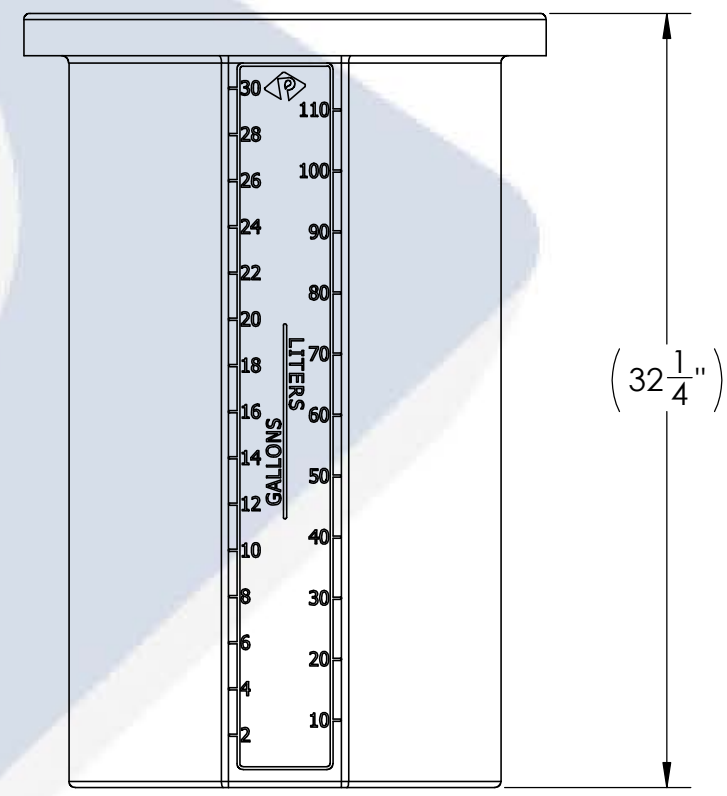
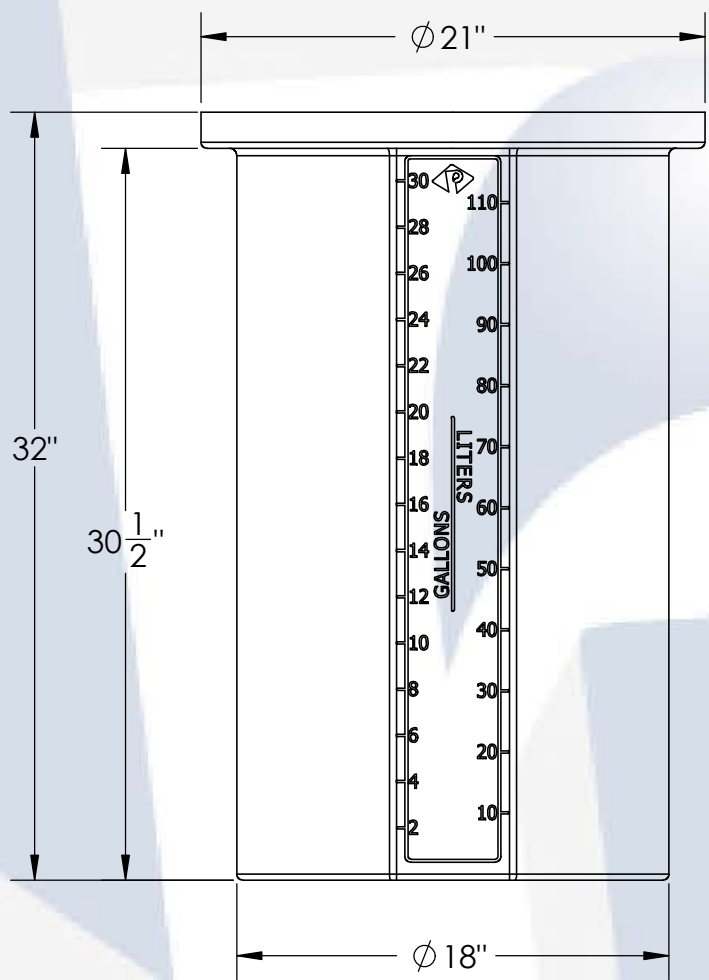
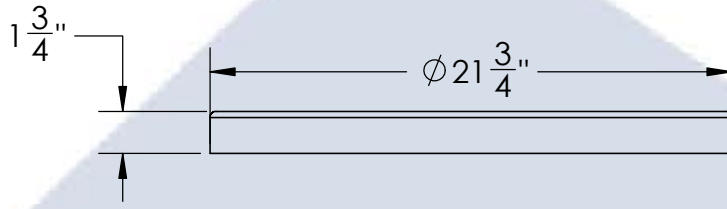
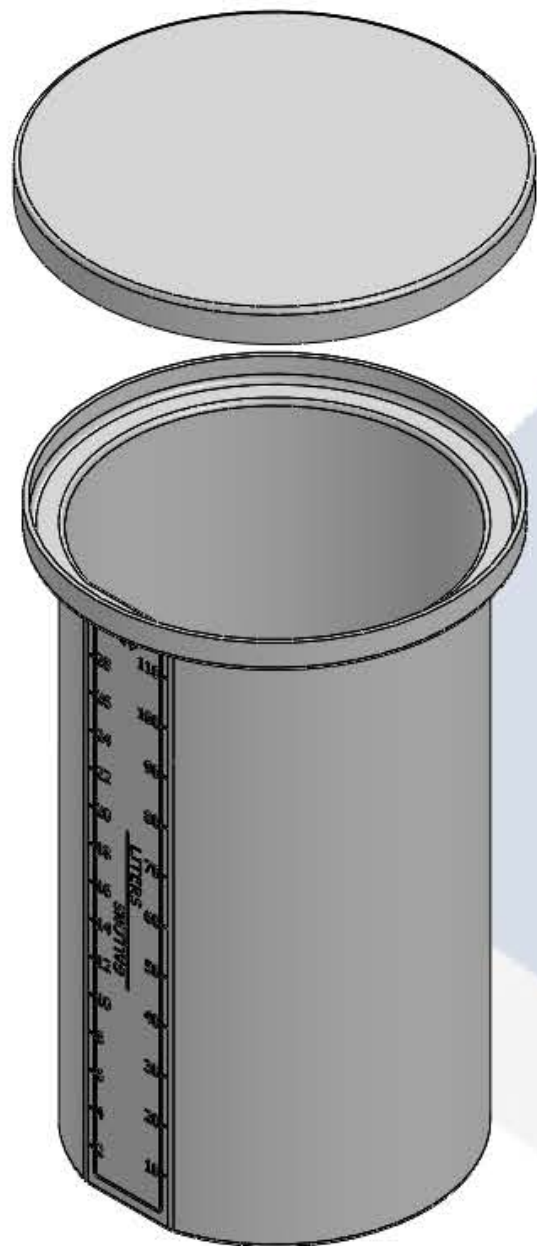
4

3

2

1

30 GALLON OPEN TOP	PART NUMBER	
	BLUE	NATURAL
STANDARD (1.5 SPG)	01-29596	01-28963



NOTES:

- CAPACITY: 30 GAL. NOMINAL
- APPROXIMATE WEIGHT: 15 LBS
- TANK MATERIAL: HDPE W/ UV INHIBITOR
- SERVICE PRESSURE: ATMOSPHERIC

PROPRIETARY AND CONFIDENTIAL
 THE INFORMATION CONTAINED IN THIS DRAWING IS THE SOLE PROPERTY OF PEABODY ENGINEERING. ANY REPRODUCTION IN PART OR AS A WHOLE WITHOUT THE WRITTEN PERMISSION OF PEABODY ENGINEERING IS PROHIBITED.

UNLESS OTHERWISE SPECIFIED:		NAME	DATE							
DIMENSIONS ARE IN INCHES TOLERANCES: ±1/4" ANGULAR: ±.5° ONE PLACE DECIMAL: ±.25 TWO PLACE DECIMAL: ±.125 THREE PLACE DECIMAL: ±.063		DRAWN	MSM 11/25/13							
TANK MATERIAL:	HDPE	CHECKED		PROJECT: 30 GALLON OPEN TOP TANK ASSEMBLY						
INNER TANK S/N:		ENG APPR.		CUSTOMER: PEABODY STANDARD						
OUTER TANK S/N:		MFG APPR.		SITE/LOCATION: -						
CUSTOMER PO#		Q.A.		DRAWING#: SEE TABLE						
DO NOT SCALE DRAWING		ALTERNATIVE VERSIONS		<table border="1"> <tr> <td>SIZE</td> <td>DESC.</td> <td>REV.</td> </tr> <tr> <td>B</td> <td>PEABODY 30 GALLON OPEN TOP</td> <td>B</td> </tr> </table>	SIZE	DESC.	REV.	B	PEABODY 30 GALLON OPEN TOP	B
SIZE	DESC.	REV.								
B	PEABODY 30 GALLON OPEN TOP	B								
		MATERIALS: XLPE, PPL, PVDF COLORS: NATURAL, BLUE OR BLACK AVAILABLE WITH FRP WRAP		SCALE: 1:8						
		CALL FOR PART NUMBERS		SHEET 1 OF 1						

8

7

6

5

4

3

2

1