

8

7

6

5

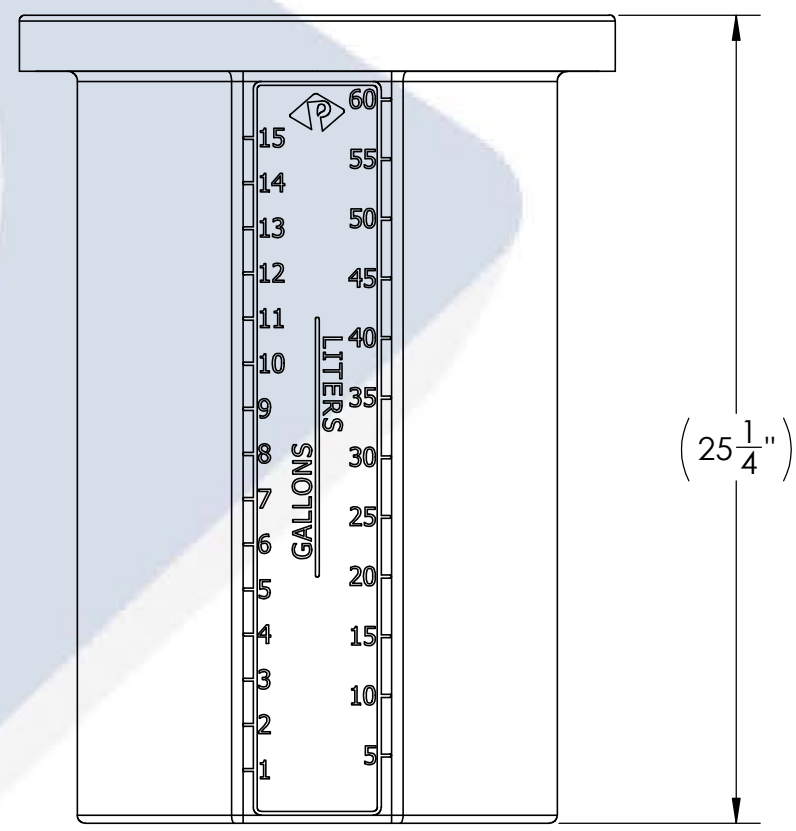
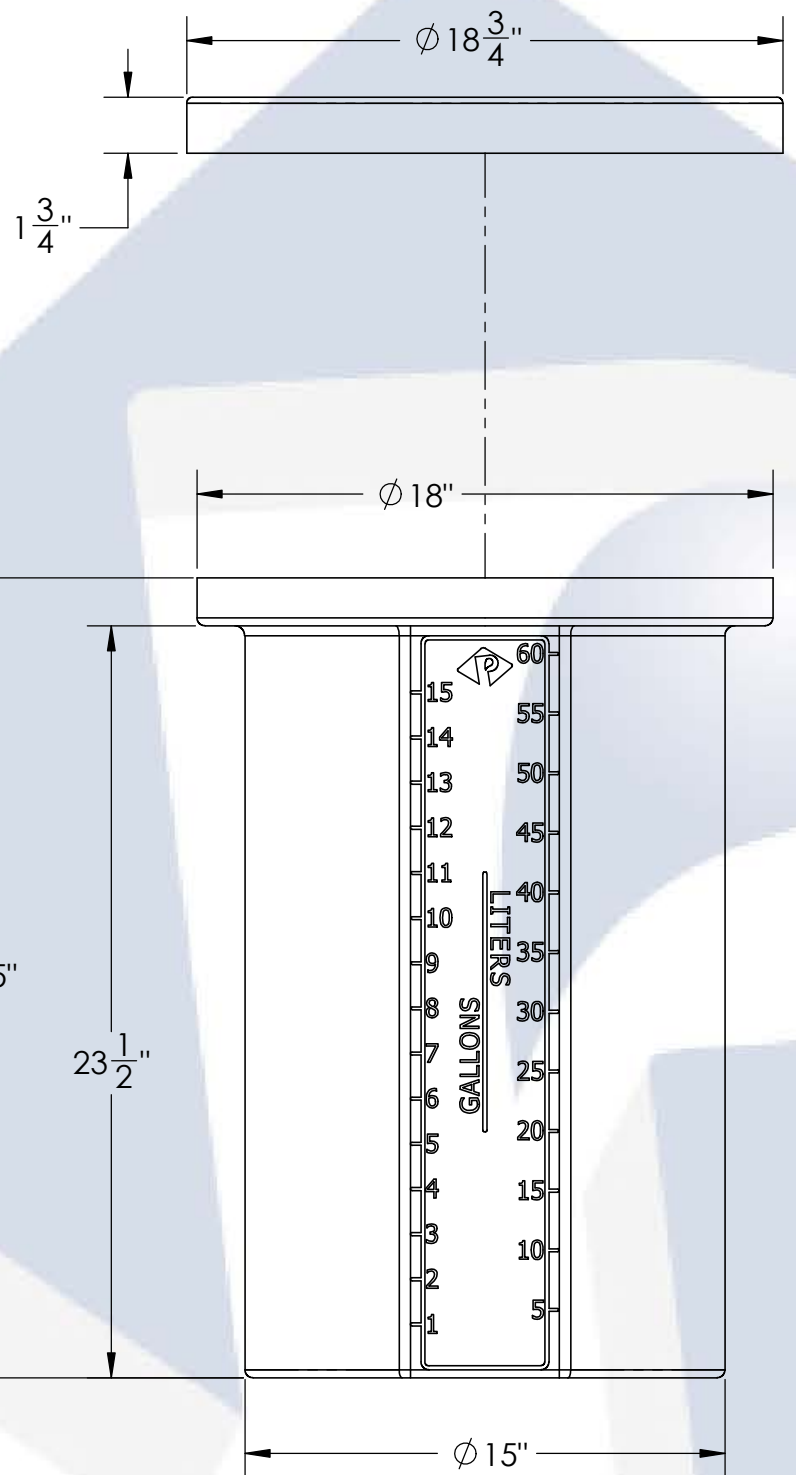
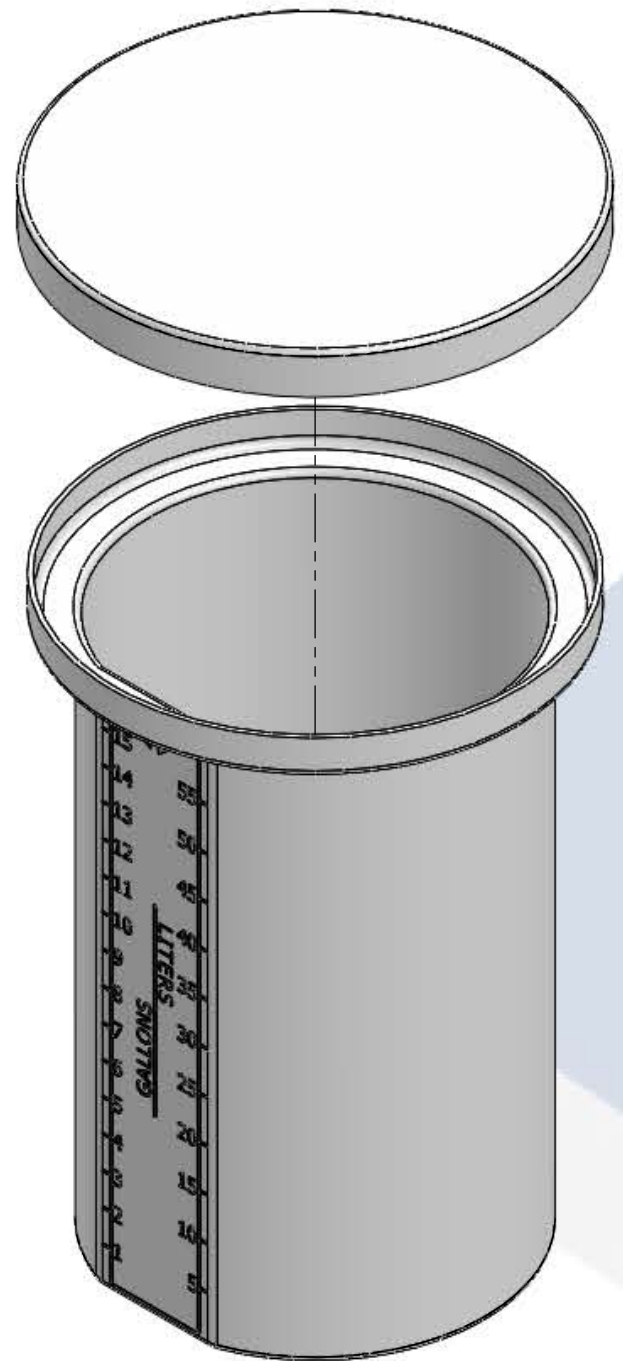
4

3

2

1

15 GALLON OPEN TOP	PART NUMBER	
	BLUE	NATURAL
STANDARD (1.5 SPG)	01-29476	01-28961



- NOTES:**
- CAPACITY: 15 GAL. NOMINAL
 - APPROXIMATE WEIGHT: 12 LBS
 - TANK MATERIAL: HDLPE W/ UV INHIBITOR
 - SERVICE PRESSURE: ATMOSPHERIC

PROPRIETARY AND CONFIDENTIAL
 THE INFORMATION CONTAINED IN THIS DRAWING IS THE SOLE PROPERTY OF PEABODY ENGINEERING. ANY REPRODUCTION IN PART OR AS A WHOLE WITHOUT THE WRITTEN PERMISSION OF PEABODY ENGINEERING IS PROHIBITED.

UNLESS OTHERWISE SPECIFIED:		NAME	DATE	
DIMENSIONS ARE IN INCHES TOLERANCES: ±1/4" ANGULAR: ±.5° ONE PLACE DECIMAL: ±.25 TWO PLACE DECIMAL: ±.125 THREE PLACE DECIMAL: ±.063		DRAWN	MSM 02/24/14	
TANK MATERIAL:	HDPE	CHECKED		PROJECT: 15 GALLON OPEN TOP TANK ASSEMBLY
INNER TANK S/N:		ENG APPR.		CUSTOMER: PEABODY STANDARD
OUTER TANK S/N:		MFG APPR.		SITE/LOCATION: -
CUSTOMER PO#		Q.A.		DRAWING#: SEE TABLE
DO NOT SCALE DRAWING		ALTERNATIVE VERSIONS MATERIALS: XLPE, PPL, PVDF COLORS: NATURAL, BLUE OR BLACK AVAILABLE WITH FRP WRAP CALL FOR PART NUMBERS		SIZE: B DESC.: PEABODY 15 GALLON OPEN TOP SCALE: 1:6
				REV. F SHEET 1 OF 1

8

7

6

5

4

3

2

1