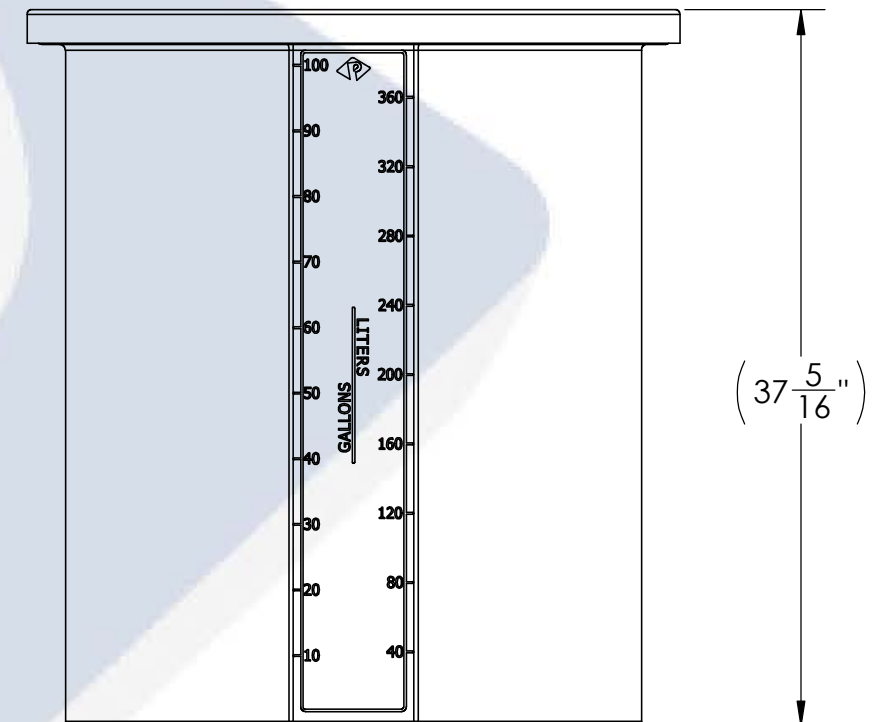
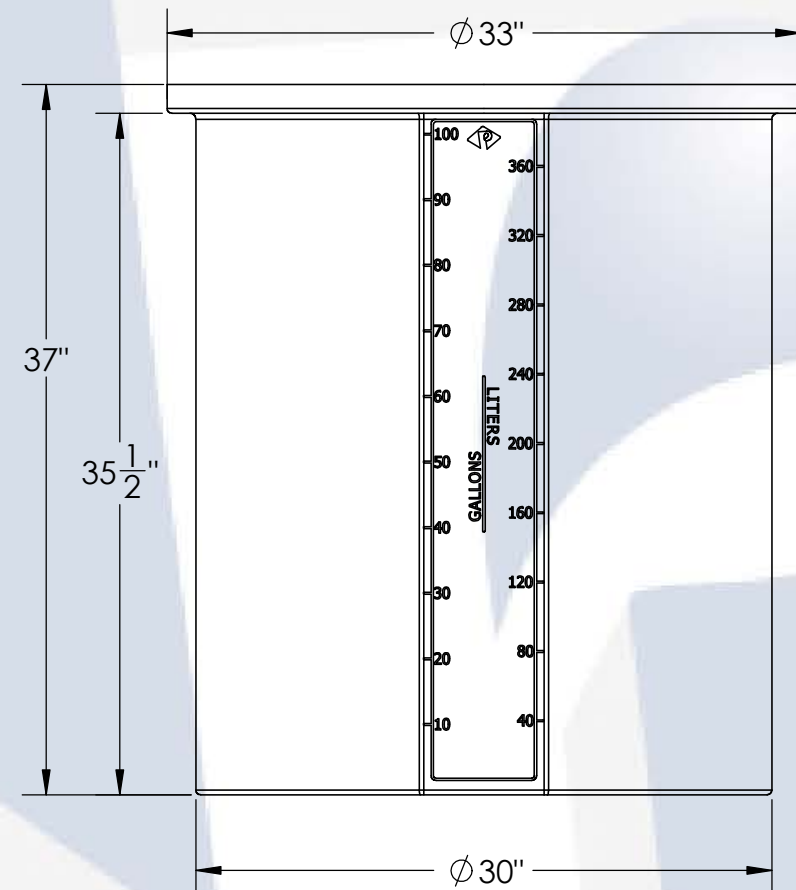
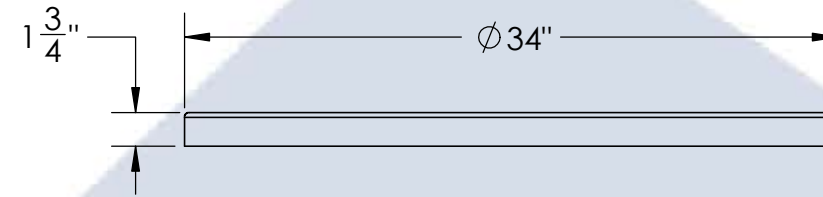
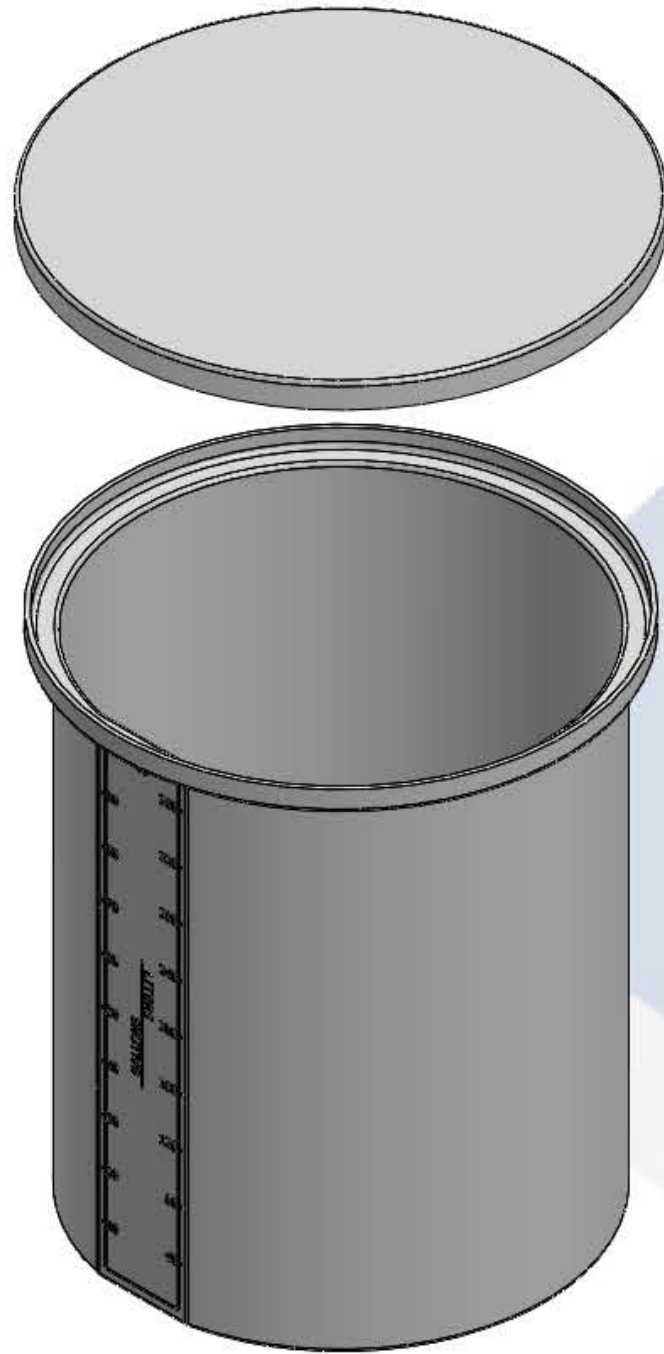


100 GALLON OPEN TOP	PART NUMBER	
	BLUE	NATURAL
STANDARD (1.5 SPG)	01-29599	01-28967



NOTES:

- CAPACITY: 100 GAL. NOMINAL
- APPROXIMATE WEIGHT: 50 LBS
- TANK MATERIAL: HDLPE W/ UV INHIBITOR
- SERVICE PRESSURE: ATMOSPHERIC

PROPRIETARY AND CONFIDENTIAL
 THE INFORMATION CONTAINED IN THIS DRAWING IS THE SOLE PROPERTY OF PEABODY ENGINEERING. ANY REPRODUCTION IN PART OR AS A WHOLE WITHOUT THE WRITTEN PERMISSION OF PEABODY ENGINEERING IS PROHIBITED.

UNLESS OTHERWISE SPECIFIED:		NAME	DATE	
DIMENSIONS ARE IN INCHES TOLERANCES: ±1/4" ANGULAR: ±.5° ONE PLACE DECIMAL: ±.25 TWO PLACE DECIMAL: ±.125 THREE PLACE DECIMAL: ±.063	DRAWN	MSM	11/25/13	
TANK MATERIAL: HDPE	CHECKED			PROJECT: 100 GALLON OPEN TOP TANK ASSEMBLY
INNER TANK S/N:	ENG APPR.			CUSTOMER: PEABODY STANDARD
OUTER TANK S/N:	MFG APPR.			SITE/LOCATION: -
CUSTOMER PO#	Q.A.			DRAWING#: SEE TABLE
DO NOT SCALE DRAWING	ALTERNATIVE VERSIONS			SIZE: B
	MATERIALS: XLPE, PPL, PVDF COLORS: NATURAL, BLUE OR BLACK AVAILABLE WITH FRP WRAP			DESC. PEABODY 100 GALLON OPEN TOP
	CALL FOR PART NUMBERS			REV. B
	SCALE: 1:10			SHEET 1 OF 1