

# OPERATOR'S MANUAL

# NP322XXXXR8-XX

**INCLUDING: OPERATION, INSTALLATION AND MAINTENANCE.**

INCLUDE MANUALS: NM2322X-XX-XXX Extrusion Pump (97999-755), 66731-X Follower Plate (pn 97999-213), 67347-X Follower Assembly (pn 97999-1102), 65184X-X Follower Plate (pn 97999-605), RM052S-X Two Post Lift / Ram (pn 97999-1345), & S-636 General Information (pn 97999-636).

RELEASED: 12-10-08

REVISED:  
(REV. 01)

**3" AIR MOTOR  
22:1 RATIO  
3" STROKE**

## NP322XXXXR8-XX EXTRUSION SYSTEM

**For use with 5 gallon / 20 liter drums (tapered or straight)**



**READ THIS MANUAL CAREFULLY BEFORE INSTALLING,  
OPERATING OR SERVICING THIS EQUIPMENT.**

It is the responsibility of the employer to place this information in the hands of the operator. Keep for future reference.  
The original language of this manual is English.

### SERVICE KITS

- Use only genuine ARO® replacement parts to assure compatible pressure rating and longest service life.
- **104302** for repair of P39124-100 lter / regulator.
- **104453** for repair of P39344-100 lter / regulator.
- **637290-X43** for repair of 67100-X43 lower pump end.
- **637290-X48** for repair of 67100-X48 lower pump end.
- **637291-X43** for repair of 67101-X43 lower pump end.
- **637291-X48** for repair of 67101-X48 lower pump end.
- **637316** for repair of 66915 air motor.
- **637466** for repair of lift / ram seals.

### MODEL DESCRIPTION CHART

NP 3 22 X XXX R8 - XX	
<b>Air Motor Size</b> 3 - 3"	
<b>Pump Ratio</b> 22 - 22:1	
<b>Check Type / Wetted Materials</b> E - Chop-Check / Carbon Steel F - Chop-Check / Stainless Steel	
<b>Lower Pump End Options</b> Refer to pump model operator's manual	
<b>Ram Style</b> R8 - Two Post, 5 gallon	
<b>Follower Assembly</b>	
10 - 651840-1	22 - 66731-2
11 - 651840-2	30 - 67347-1
12 - 651840-3	31 - 67347-2
13 - 651841-1	40 - 67347-11
20 - 66731	41 - 67347-12
21 - 66731-1	

### NP322XXXXR8-XX EXTRUSION SYSTEM

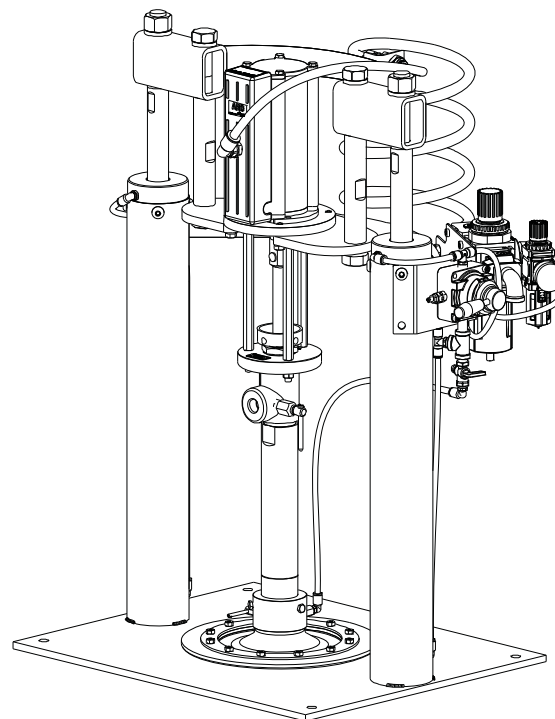


Figure 1

### GENERAL DESCRIPTION

By delivering a smooth, continuous bead of the proper size, an ARO system helps the operator maintain both production rate and produce high quality standards. Maintained quality standards assures that the material benefits are realized. To further maximize operator production time, the ARO system has a built-in lift / ram feature for quick and easy drum changeover and easy lifting of the pump assembly from the container.

ARO systems are totally enclosed, sealing the material in the system from air and moisture, preventing premature cure-out of the material. This allows for either continuous or intermittent use of the system and allows the need for daily system clean-up.