

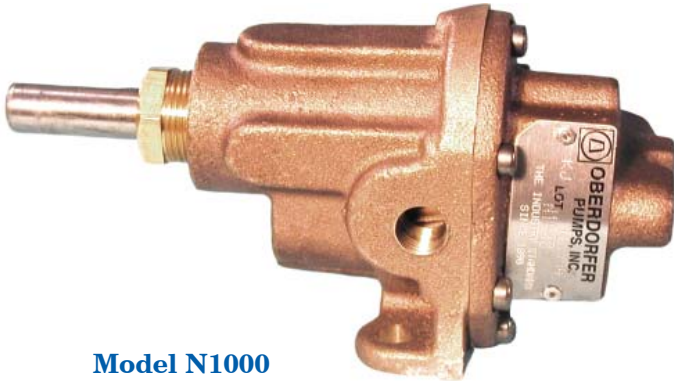


OBERDORFER PUMPS

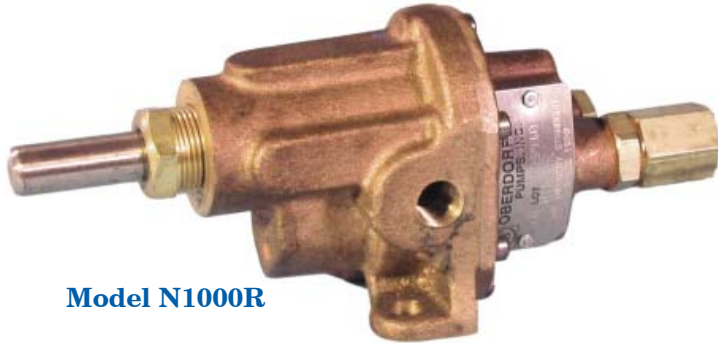
A Gardner Denver Product

Bronze Closed Coupled Rotary Gear Pumps Model N1000 Series

1/4" NPT Ports Standard



Model N1000



Model N1000R

FEATURES:

- Bronze Corrosion Resistant Castings
- Special Cast Bronze Gears
- Stainless Steel Shafts & Fasteners
- Formed Ring Seal Packing (Lip & Mechanical Seals on Special Order)
- Heavy Duty Carbon Bearings (Self Lubricating)
- Positive Displacement Flow

DRIVE:

Either direct drive with flexible coupling or pulley drive can be used. Make sure both flexible coupling halves are properly aligned. When using a pulley, do not overtighten the belt. Also, to absorb belt side thrust at higher pressures and larger size pumps, an external ball bearing support is recommended -- consult factory.

LIQUIDS AND TEMPERATURE:

Service life will be increased substantially if the liquid pumped is clean and has some degree of lubricity. These positive displacement pumps have tight tolerances. Fine abrasives like sand, silt, or powders in suspension will accelerate pump wear and reduce throughput.

Liquids compatible with bronze and stainless steel can be pumped providing proper seal has been specified (see chemical compatibility or check factory). When possible, flush the pump after each usage.

Temperature extremes are detrimental to service life and should be avoided. Basic metals of construction

allow a temperature range of -40° to 400° F. Some lip and mechanical seal elastomers have a limit of 212° F. (see engineering data or check factory). Allowing a liquid to freeze in the pump can cause damage.

SUCTION LIFT:

Close tolerances and the positive pumping action make the rotary gear pump capable of lifting water on the suction side as high as 20 feet. Though gear pumps are self priming, a foot valve is recommended. If possible, wet the gears with liquid to be pumped for the first dry start. Liquid retained in the system and gear chambers serves to "wet" the pump on subsequent starts.

Capacity Water 70° F

RPM	Ft. Hd. PSI	0	46	92	138	184	231	290	346
		0	20	40	60	80	100	125*	150*
400	GPM	0.50	0.30	0.10	---	---	---	---	---
	HP	0.01	0.03	0.04	---	---	---	---	---
	Motor	1/6	1/6	1/6	---	---	---	---	---
600	GPM	0.80	0.62	0.44	0.27	0.10	---	---	---
	HP	0.02	0.04	0.06	0.08	0.10	---	---	---
	Motor	1/6	1/6	1/6	1/6	1/6	---	---	---
800	GPM	1.03	0.87	0.72	0.56	0.40	0.24	0.10	---
	HP	0.02	0.04	0.07	0.10	0.12	0.15	0.18	---
	Motor	1/6	1/6	1/6	1/6	1/6	1/6	1/4	---
1000	GPM	1.26	1.11	0.96	0.81	0.66	0.51	0.33	.010
	HP	0.02	0.05	0.09	0.12	0.15	0.19	0.24	0.28
	Motor	1/6	1/6	1/6	1/6	1/6	1/4	1/4	1/3
1200	GPM	1.50	1.35	1.20	1.05	0.90	0.75	0.60	0.45
	HP	0.03	0.05	0.12	0.14	0.17	0.21	0.26	0.29
	Motor	1/6	1/6	1/6	1/6	1/4	1/4	1/3	1/3
1600	GPM	1.95	1.83	1.70	1.57	1.45	1.32	1.15	0.95
	HP	0.04	0.08	0.13	0.18	0.22	0.27	1.33	0.38
	Motor	1/6	1/6	1/6	1/4	1/4	1/3	1/3	1/2
1725	GPM	2.10	1.98	1.86	1.74	1.62	1.50	1.35	1.20
	HP	0.05	0.09	0.14	0.19	0.23	1.28	1.34	0.39
	Motor	1/6	1/6	1/6	1/4	1/4	1/3	1/3	1/2

* For pressures over 100 PSI, the above selections are suitable for pumping fluids with lubricity (eq. oils, polymers). Service life will decrease for fluids without lubricity (eq. water, solvents).

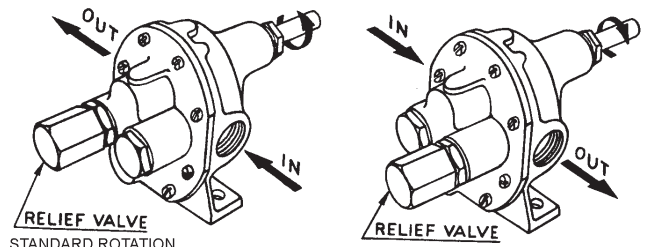
HP = Actual Horsepower | RPM = Revolutions per Minute | PSI = Lbs. per Square Inch Pressure
GPM = Gallons per Minute | Motor = Convenient Fractional Size | Ft. Hd. = Equiv. Pressure in Ft of Water

BY-PASS AND ROTATION:

The pump by-pass is not intended to be a metering or flow control device. Its main purpose is to function as a pressure relief when the desired set point is exceeded, overheating can occur within 5 - 10 minutes if the discharge line is completely shut off for extended periods.

Reversing rotation reverses the "IN" and "OUT" ports and the location of the by-pass ports have to be reversed.

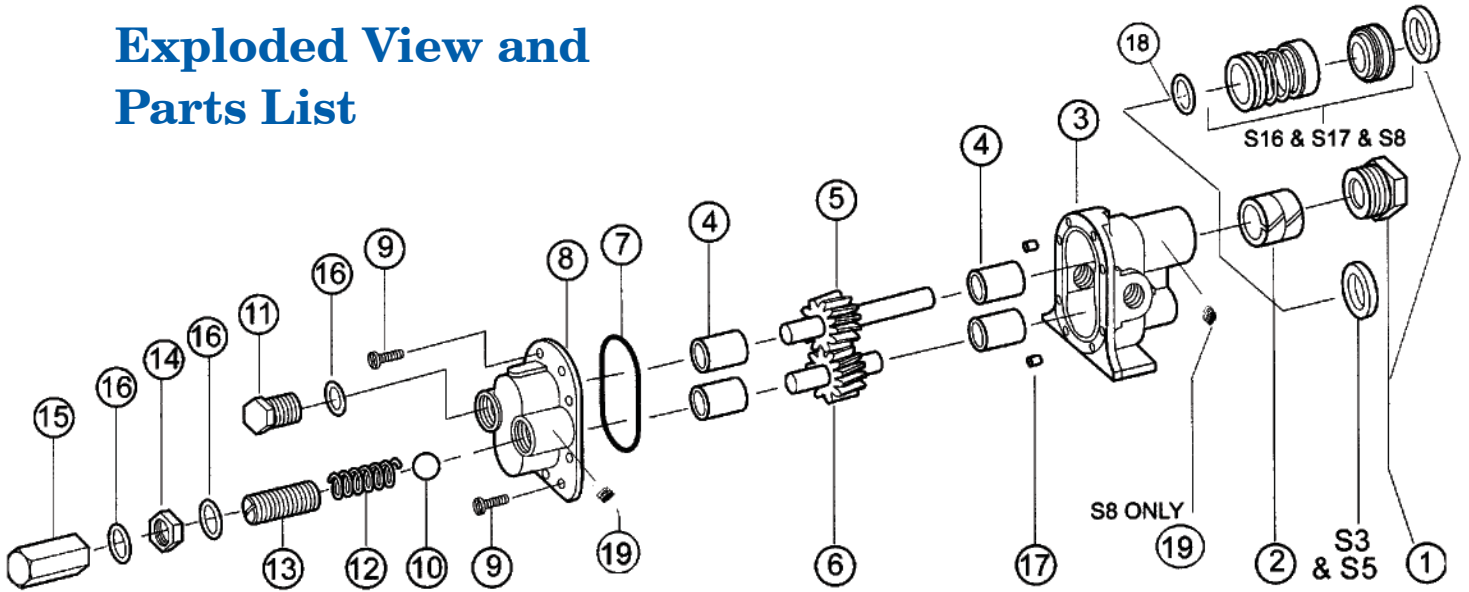
The by-pass valve is factory set at 50 PSI. To increase the setpoint, turn the by-pass valve adjusting screw in a clockwise direction.



Bronze Closed Coupled Rotary Gear Pumps

Model N1000 Series

Exploded View and Parts List

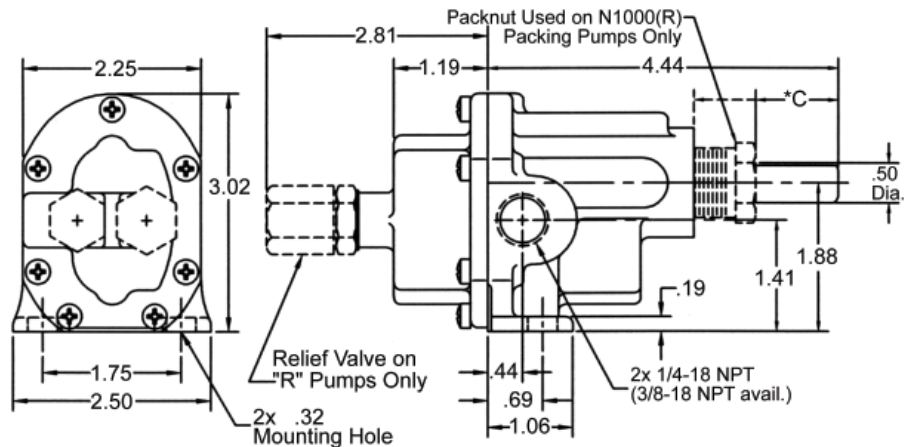


	Seal Arrangement	1	2	3	4	5	6	7	8	9	10	11	12	13	14	15	
		Packnut or Retaining Ring	Packing	Seal	Body	Bearing	Drive Gear Assy	Idle Gear Assy	O-Ring	Cover	Screw	Ball	Plug Nut	Spring	Adjust. Screw	Locknut	Bypass Nut
Model		Qty. 1	Qty. 2	Qty. 1	Qty. 1	Qty. 4	Qty. 1	Qty. 1	Qty. 1	Qty. 1	Qty. 7	Qty. 1	Qty. 1	Qty. 1	Qty. 1	Qty. 1	Qty. 1
N1000	Packing	1892	5481	NA	9311NB1N	5024	32101	32110	9797-033	9314NN5N	5385						
N1000S3	Buna Lip	NA	NA	5007	9311NB2N	5024	32101	32110	9797-033	9314NN5N	5385						
N1000S5	Viton Lip	NA	NA	7580	9311NB2N	5024	32101	32110	9797-033	9314NN5N	5385						
N1000S16	Buna Bellows Mech.	7639	NA	32584	9370NB4N	5024	32687	32110	9797-033	9314NN5N	5385						
N1000S17	Viton Bellows Mech.	7639	NA	32585	9370NB4N	5024	32687	32110	9797-033	9314NN5N	5385						
N1000S8	Teflon Wedge Mech.	7639	NA	32335	9370NB6N	5024	32687	32110	9797-033	9314NN5N	5385						
Relief Valve Versions: N1000R, N1000RS3, N1000RS5, N1000RS16, N1000RS17, N1000S8												5809	5775	5806	5766	5774	5767

	16	17	18	19	Repair Kit*
	Fiber Washer	Dowel Pin	Retaining Pin	Pipe Plug	
Model	Qty. 3	Qty. 2	Qty. 1	Qty. 1	
N1000		8885			10635
N1000S3		8885			11266
N1000S5		8885			11396
N1000S16		8885	5373		11925
N1000S17		8885	5373		12104
N1000S8		8885	5373	6052	11283
Relief Valve Versions	6966			6052	

* All Repair Kits contain items 2, 4, 5, 6, 7

Dimensions



*C Dim: 1.03 for Packing Pumps, 1.18 for S3 & S5 Lip Seals, 1.51 for S16 & S17 Mech. Seals

Viton® or equivalent FKM will be used. Viton® is a registered trademark of DuPont Dow Elastomers. Teflon® or equivalent PTFE will be used. Teflon® is a registered trademark of DuPont.



OBARDORFER PUMPS

A Gardner Denver Product

5900 Firestone Drive, Syracuse, NY 13206

Phone: (800) 448-1668; (315) 437-0361 • Fax: (315) 463-9561

Visit www.oberdorfer-pumps.com to find in-depth descriptions of the world's leading high-quality, dependable pumps.

Due to ongoing product improvements, data shown here is subject to change without notice. Contact Oberdorfer Pumps for latest specifications.

N1000series.08102012