

CALL TOLL FREE 877-742-2878 FOR SALES AND SUPPORT.  
CLICK [HERE](#) TO RETURN TO WEBSITE.

# NETZSCH

## NEMO® BY Mini Metering Pumps

**A small size pump big in versatility and flexibility**

NEMO® BY Mini Metering Pump systems are delivering consistent quality in the chemical, pharmaceutical, food industries and even in wastewater plants, pulp and paper industries, and in laboratory application. These pumps administer almost pulsation free dispensing with high repeatability and a dosing accuracy of  $\pm 1\%$ . NEMO® BY Mini Metering Pumps deliver and meter directly proportional to speed, ensuring the flexibility needed to meet your process requirements with accuracy, repeatable flow capabilities and easily adaptable capacities. Four different rotor/stator systems allow for easy adaptation and altered process requirements. Flow rate ranges from 0.3 to 150 gph.

### NEMO® BY Mini Metering Pump Features

- Suitable for watery to highly viscous products
- Continuous flow depending on pump speed
- High self-priming capacity
- Easy mounting
- Joints sealed to the media
- Flow range of 1:10 standard and 1:40 special design
- Extensive range of materials; standard: stainless steel 316L
- Wide range of capacities and pressures
- Four different rotor/stator sizes with identical dimensions for flow range of 1:500



### Your Benefits

- Accurate smooth conveyance
- Precise metering in direct proportion to speed
- Easy to clean and service
- Low noise, low vibration
- Almost pulsation free conveyance
- High dosing accuracy
- Service friendly design
- Short and compact

### Applications

- Shear sensitive products
- Low to high viscosity
- Sticky and smooth
- With or without solids
- Dilatant and / or thixotropic
- Abrasive
- Adhesive
- Polymer
- Flocculants

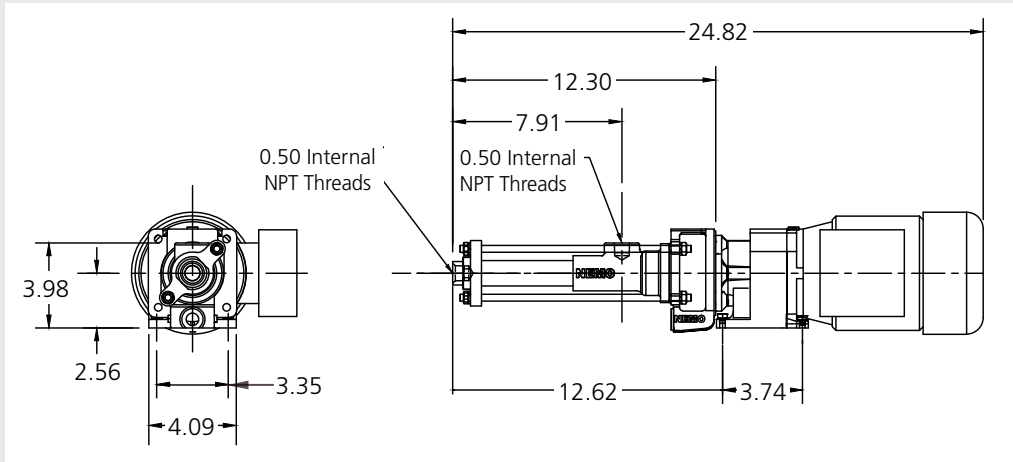
### Additional information

[Progressing Cavity Pump General Brochure NPA · 305](#)  
[Rotary Lobe Pump General Brochure NPA · 081](#)  
[Business Field Environmental & Energy Brochure NPA · 307](#)

## NEMO® BY Mini Metering Pumps

Flow and Pressure Capabilities and General Dimensions

### NEMO® BY Mini Metering Pump



#### NEMO® BY Mini Metering Pumps

Pump Models	Flow Rate (GPM/100 rpm)	Max Particle Size (inches / mm)	Max Solids Size (inches / mm)
NM003 BY 11S12 B	.0026	.0118 / 0.3	.039 / 1.0
NM005 BY 06S12 B	.0079	.0236 / 0.6	.079 / 2.0
NM008 BY 03S12 B	.0317	.039 / 1.0	.157 / 4.0
NM011 BY 02S12 B	.0898	.059 / 1.5	.236 / 6.0

\* Based on largest standard gearmotor. C-Face motor arrangement may be longer. Not for construction.

Pressures up to 180 psi  
500 psi - special design

#### Other Options

- Bareshaft models available
- Constant or variable speed drives
- Sanitary designs available

NETZSCH Pumps North America, LLC  
119 Pickering Way  
Exton, PA 19341 USA  
Phone: 610 363-8010  
Fax: 610 363-0971  
E-mail: npa@netsch.com

NETZSCH Canada, Incorporated  
500 Welham Road  
Barrie, ON L4N 8Z7 Canada  
Phone: 705 797-8426  
Fax: 705 797-8427  
E-mail: ntc@netsch.com

www.pumps.netsch.com